

BVV™ HEX ADAPTER

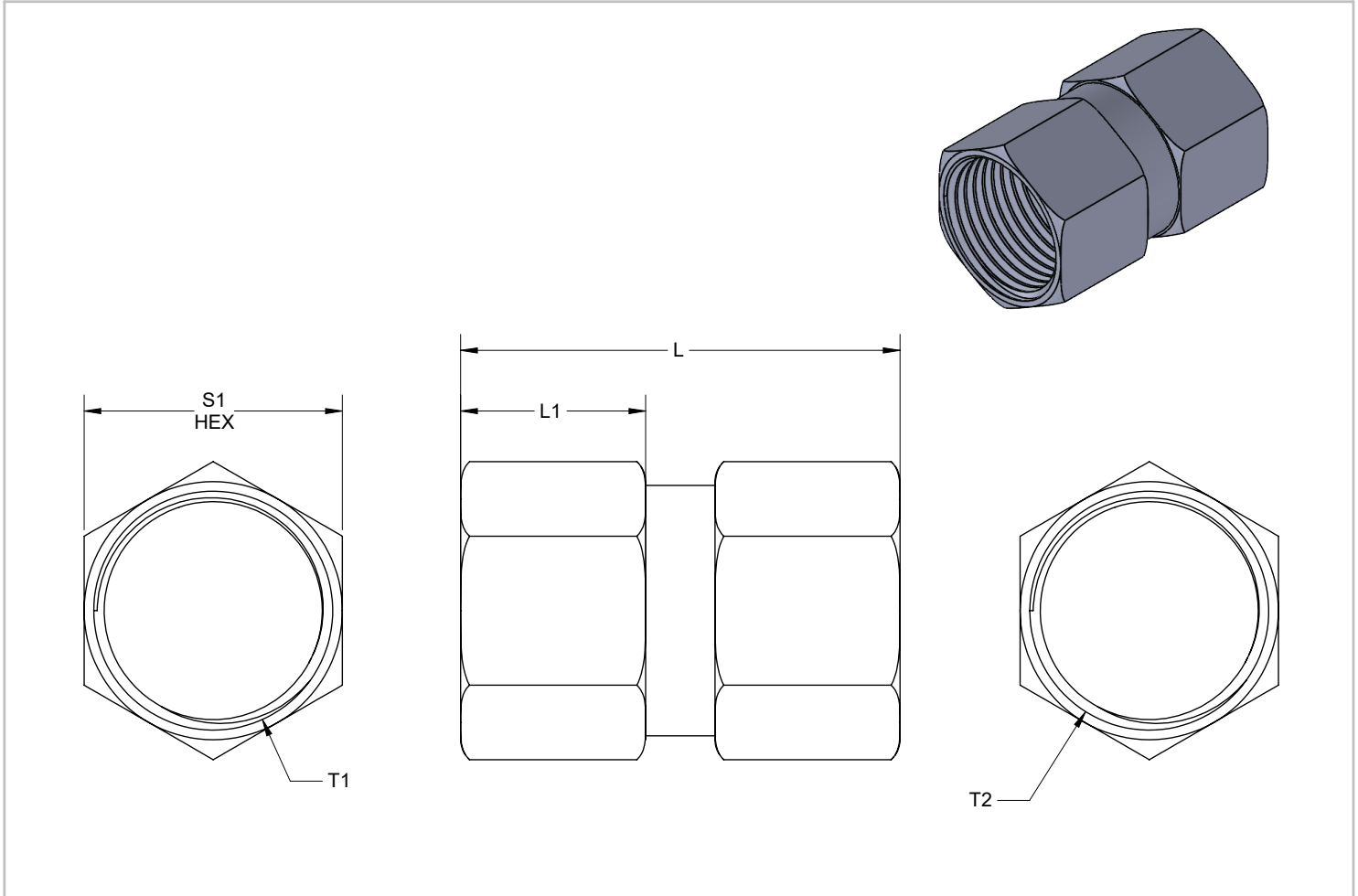
Material:	304 Stainless Steel
Specifications Met:	ASME B1.20.1
Maximum Pressure:	4600 psi @ 72°F
Temperature Range:	-320° - 500°F
Maximum Vacuum	29 in. of Hg @ 72°F
Country of Origin	China
Use With:	Butane, Propane, DME, Ethanol, Glycol, Air, Hydraulic Fluid, Natural Gas, Phosphoric Acid, and Water
Note:	Chemical compatibility must be determined by the customer based on the conditions in which the product is being used, including the presence of other chemicals, temperature, and consistency.
Manufacturer Certification	ISO 9001:2015
Pipe Connection Type	Female NPT




FITTING SPECIFICATIONS

Part No.	Thread Size (in)		Dimensions (in)			
	T1	T2	L1	L	S1	S2
BVV04HA	1/4 " X18 NPT	1/4 " X18 NPT	0.478	1.143	0.668	0.668
BVV0604HA	3/8 " X18 NPT	1/4 " X18 NPT	0.512	1.220	0.862	0.862
BVV06HA	3/8 " X18 NPT	3/8 " X18 NPT	0.522	1.265	0.862	0.862
BVV0408HA	1/4 " X18 NPT	1/2 " X14 NPT	0.544	1.302	1.057	1.060
BVV0608HA	3/8 " X18 NPT	1/2 " X14 NPT	0.544	1.334	1.060	1.060
BVV08HA	1/2 " X14 NPT	1/2 " X14 NPT	0.650	1.500	1.560	1.060

BVV™ HEX ADAPTER



TITLE: BVVHA		MATERIAL: 304 SS		NAME	<small>TOLERANCES UNLESS OTHERWISE SPECIFIED</small> <small>DECIMALS IN MM</small> <small>X +.1 +.8</small> <small>XX +.01 +.25</small> <small>XXX +.00</small> <small>ANGULAR ±.1° ±.1°</small>		PROPRIETARY AND CONFIDENTIAL <small>THE INFORMATION CONTAINED IN THIS DRAWING IS THE SOLE PROPERTY OF BEST VALUE VACS. ANY REPRODUCTION IN PART OR AS A WHOLE WITHOUT THE WRITTEN PERMISSION OF BEST VALUE VACS IS PROHIBITED.</small>
DATE: 3/17/2022	REVISION: 00	FINISH: N/A	DRAWN	JB			
SHEET: 1 OF 1	SHEET SIZE: A	UNITS: IN	CHECKED	ENG APPR.			