

# BVV™ 37° FJIC X MNPT

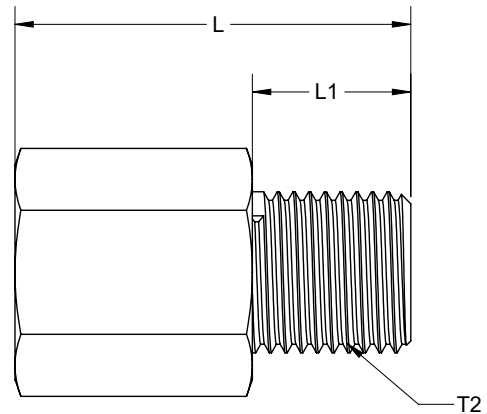
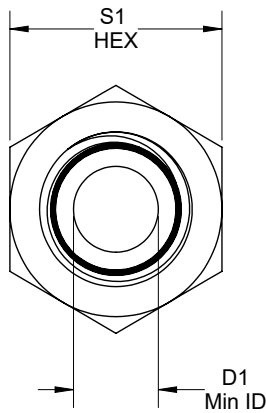
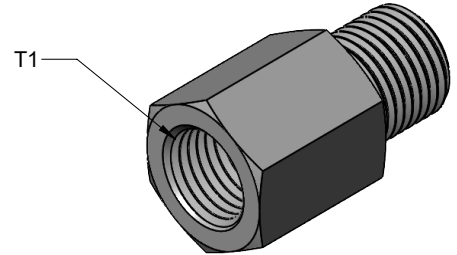
<b>Material:</b>	304 Stainless Steel
<b>Specifications Met:</b>	SAE J514, ASME B1.20.1, and ISO 8434
<b>Maximum Pressure:</b>	2500 psi @ 72°F
<b>Temperature Range:</b>	-320° - 500°F
<b>Maximum Vacuum</b>	29 in. of Hg @ 72°F
<b>Country of Origin</b>	China
<b>Use With:</b>	Butane, Propane, DME, Ethanol, Glycol, Air, Hydraulic Fluid, Natural Gas, Phosphoric Acid, and Water
<b>Note:</b>	Chemical compatibility must be determined by the customer based on the conditions in which the product is being used, including the presence of other chemicals, temperature, and consistency.
<b>Manufacturer Certification</b>	ISO 9001:2015
<b>Pipe Connection Type</b>	Male NPT
<b>Flared Connection Type</b>	Internal 37° JIC
<b>RoHS</b>	RoHS (2015/863/EU) Compliant




## FITTING SPECIFICATIONS

Part No.	Hose Size	Thread Size (in)		Dimensions (in)			
		T1	T2	L1	L	S1	D1
BVVFJICMNPT04	1/4 "	7/16 " X20 JIC	1/4 " X18 NPT	1.033	0.583	0.667	0.170
BVVFJIC06MNPT04	3/8 "	9/16 " X18 JIC	1/4 " X18 NPT	1.170	0.583	0.743	0.234
BVVFJICMNPT06	3/8 "	9/16 " X18 JIC	3/8 " X18 NPT	1.180	0.627	0.743	0.270
BVVFJIC08MNPT06	1/2 "	3/4 " X16 JIC	3/8 " X18 NPT	1.356	0.627	0.862	0.300
BVVFJIC08MNPT04	1/2 "	3/4 " X16 JIC	1/4 " X18 NPT	1.314	0.565	0.862	0.270
BVVFJICMNPT08	1/2 "	3/4 " X16 JIC	1/2 " X14 NPT	1.303	0.757	0.862	0.350

# BVV™ 37° FJIC X MNPT



TITLE: BVVFJICMNPT		MATERIAL: 304 SS		NAME	<small>TOLERANCES UNLESS OTHERWISE SPECIFIED</small> <small>DECIMALS    IN    MM</small> <small>X                +/- .1    +/- .8</small> <small>XX              +/- .01    +/- .25</small> <small>XXX             +/- .005</small> <small>ANGULAR      +/- .1°    +/- .1°</small>		<small>PROPRIETARY AND CONFIDENTIAL</small> <small>THE INFORMATION CONTAINED IN THIS DRAWING IS THE SOLE PROPERTY OF BEST VALUE VACS. ANY REPRODUCTION IN PART OR AS A WHOLE WITHOUT THE WRITTEN PERMISSION OF BEST VALUE VACS IS PROHIBITED.</small>
DATE: 3/17/2022	REVISION: 00	FINISH: N/A	DRAWN	JB			
SHEET: 1 OF 1	SHEET SIZE: A	UNITS: IN	CHECKED	ENG APPR.			