

BVV™ 37° FJIC X MNPT

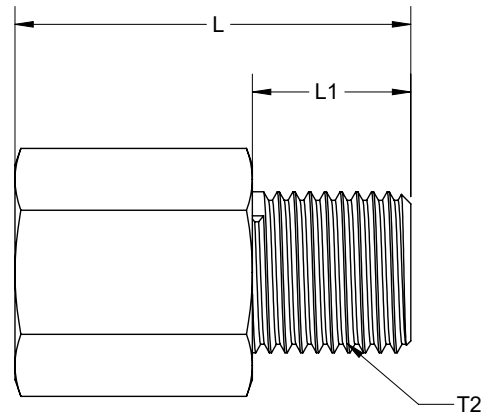
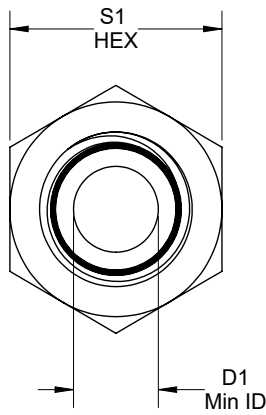
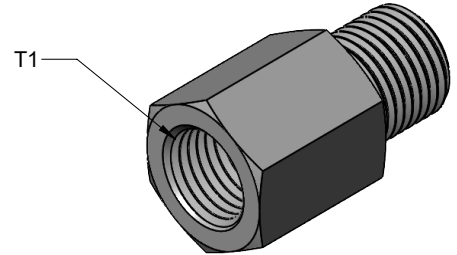
Material:	304 Stainless Steel
Specifications Met:	SAE J514, ASME B1.20.1
Maximum Pressure:	2500 psi @ 72°F
Temperature Range:	-320° - 500°F
Maximum Vacuum	29 in. of Hg @ 72°F
Country of Origin	China
Use With:	Butane, Propane, DME, Ethanol, Glycol, Air, Hydraulic Fluid, Natural Gas, Phosphoric Acid, and Water
Note:	Chemical compatibility must be determined by the customer based on the conditions in which the product is being used, including the presence of other chemicals, temperature, and consistency.
Manufacturer Certification	ISO 9001:2015
Pipe Connection Type	Male NPT
Flared Connection Type	Internal 37° JIC




FITTING SPECIFICATIONS

Part No.	Hose Size	Thread Size (in)		Dimensions (in)			
		T1	T2	L1	L	S1	D1
BVV FJIC MNPT04	1/4 "	7/16 " X20 JIC	1/4 " X18 NPT	1.033	0.583	0.667	0.170
BVV FJIC06 MNPT04	3/8 "	9/16 " X18 JIC	1/4 " X18 NPT	1.170	0.583	0.743	0.234
BVV FJIC MNPT06	3/8 "	9/16 " X18 JIC	3/8 " X18 NPT	1.180	0.627	0.743	0.270
BVV FJIC08 MNPT06	1/2 "	3/4 " X16 JIC	3/8 " X18 NPT	1.356	0.627	0.862	0.300
BVV FJIC08 MNPT04	1/2 "	3/4 " X16 JIC	1/4 " X18 NPT	1.314	0.565	0.862	0.270
BVV FJIC MNPT08	1/2 "	3/4 " X16 JIC	1/2 " X14 NPT	1.303	0.757	0.862	0.350

BVV™ 37° FJIC X MNPT



TITLE: BVVFJICMNPT		MATERIAL: 304 SS		NAME	<small>TOLERANCES UNLESS OTHERWISE SPECIFIED</small> <small>DECIMALS IN MM</small> <small>X +/- .1 +/- .8</small> <small>XX +/- .01 +/- .25</small> <small>XXX +/- .005</small> <small>ANGULAR +/- .1° +/- .1°</small>		<small>PROPRIETARY AND CONFIDENTIAL</small> <small>THE INFORMATION CONTAINED IN THIS DRAWING IS THE SOLE PROPERTY OF BEST VALUE VACS. ANY REPRODUCTION IN PART OR AS A WHOLE WITHOUT THE WRITTEN PERMISSION OF BEST VALUE VACS IS PROHIBITED.</small>
DATE: 3/17/2022	REVISION: 00	FINISH: N/A	DRAWN	JB			
SHEET: 1 OF 1	SHEET SIZE: A	UNITS: IN	CHECKED	ENG APPR.			