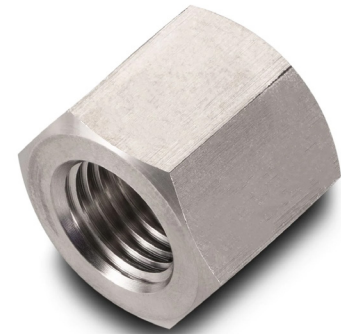


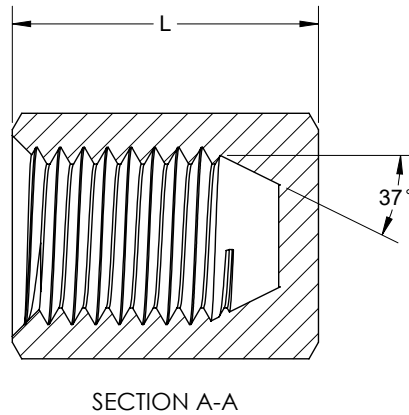
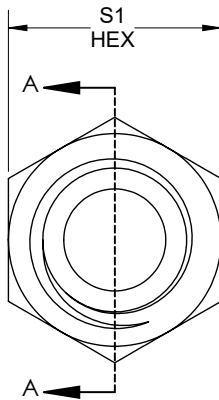
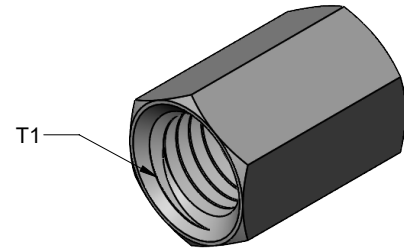
BVV™ 37° FJIC CAP


Material:	304 Stainless Steel
Specifications Met:	SAE J514, ASME B1.20.1
Maximum Pressure:	2500 psi @ 72°F
Temperature Range:	-320° - 500°F
Maximum Vacuum	29 in. of Hg @ 72°F
Country of Origin	China
Use With:	Butane, Propane, DME, Ethanol, Glycol, Air, Hydraulic Fluid, Natural Gas, Phosphoric Acid, and Water
Note:	Chemical compatibility must be determined by the customer based on the conditions in which the product is being used, including the presence of other chemicals, temperature, and consistency.
Flared Connection Type	Internal 37° JIC



FITTING SPECIFICATIONS

Part No.	Hose Size	Thread Size (in)	Dimensions (in)	
			L	S1
BVV04FJCAP	1/4 "	7/16 " X20 JIC	0.594	0.551
BVV06FJCAP	3/8 "	9/16 " X18 JIC	0.626	0.748
BVV08FJCAP	1/2 "	3/4 " X16 JIC	0.843	1.063



TITLE: BVVFJCAP		MATERIAL: 304 SS		NAME	<small>TOLERANCES UNLESS OTHERWISE SPECIFIED</small> <small>DECIMALS IN MM</small> <small>X +/- .1 +/- .8</small> <small>XX +/- .01 +/- .25</small> <small>XXX +/- .005 +/- .125</small> <small>ANGULAR +/- .1° +/- .1°</small>		PROPRIETARY AND CONFIDENTIAL <small>THE INFORMATION CONTAINED IN THIS DRAWING IS THE SOLE PROPERTY OF BEST VALUE VACS. ANY REPRODUCTION IN PART OR AS A WHOLE WITHOUT THE WRITTEN PERMISSION OF BEST VALUE VACS IS PROHIBITED.</small>
DATE: 4/8/2022	REVISION: 00	FINISH: N/A	DRAWN	JB			
SHEET: 1 OF 1	SHEET SIZE: A	UNITS: IN	CHECKED	ENG APPR.			