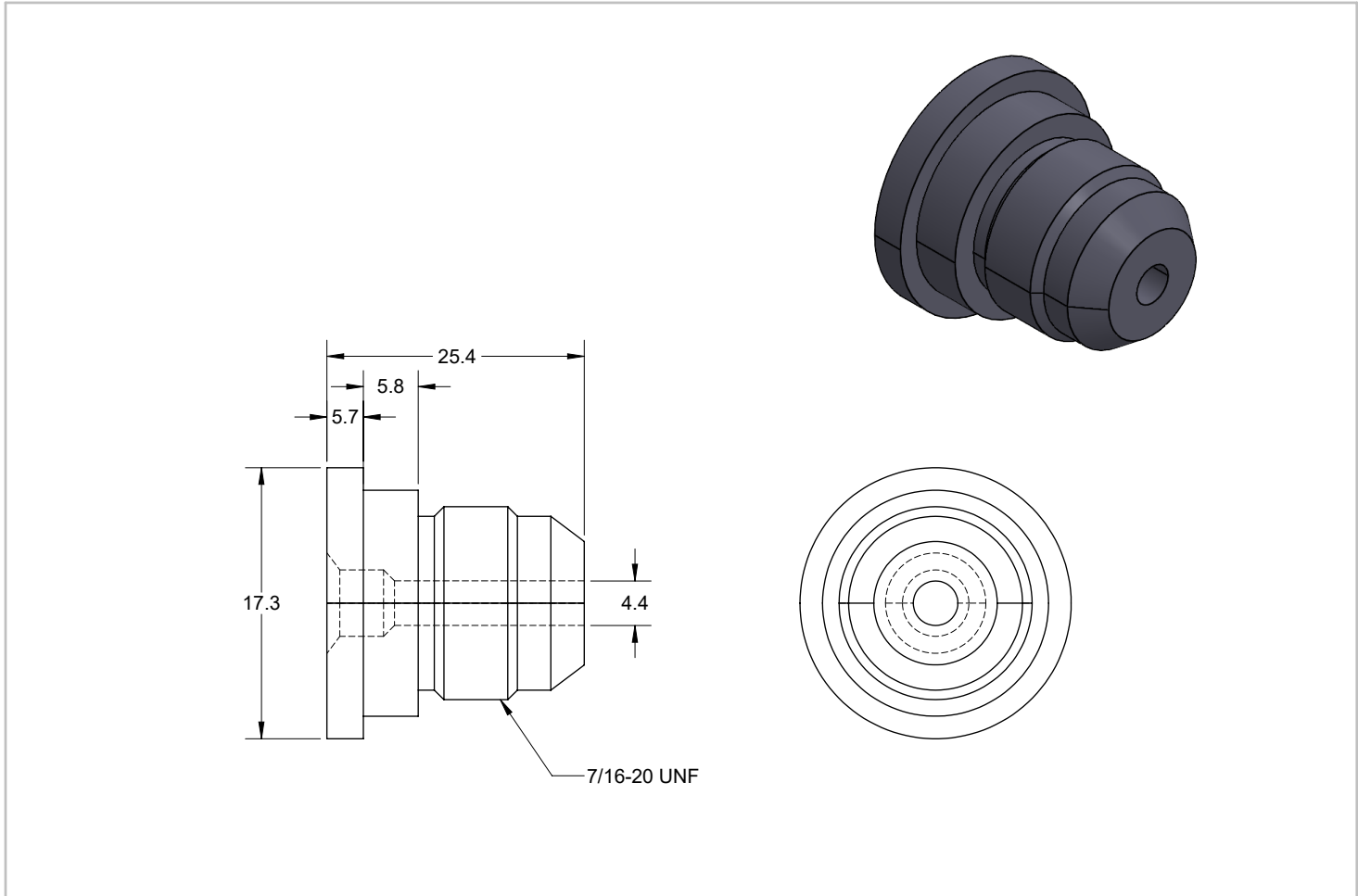
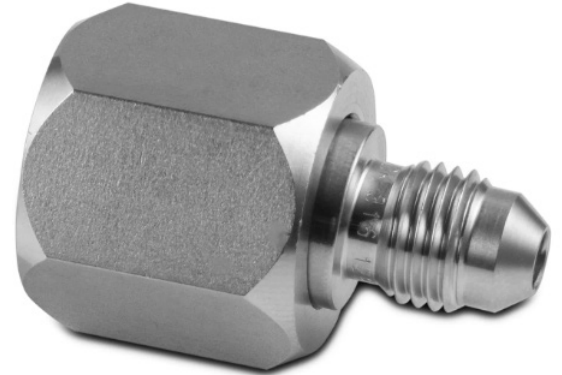



BVV™ KPR FITTING PORT REDUCER

Material:	316 Stainless Steel
Reducing Tube O.D:	1/2in x 1/4in (12mm x 6mm)
Connection Type:	37° JIC
SKU:	KPR8T-4T-S



TITLE: KPR8T-4T-S		MATERIAL: 316 SS		NAME	TOLERANCES UNLESS OTHERWISE SPECIFIED		PROPRIETARY AND CONFIDENTIAL THE INFORMATION CONTAINED IN THIS DRAWING IS THE SOLE PROPERTY OF BEST VALUE VACS. ANY REPRODUCTION IN PART OR AS A WHOLE WITHOUT THE WRITTEN PERMISSION OF BEST VALUE VACS IS PROHIBITED.
DATE: 11/2/2022	REVISION: 00	FINISH: N/A	DRAWN	JB			
SHEET: 1 OF 1	SHEET SIZE: A	UNITS: MM	CHECKED	ENG APPR.	DECIMALS IN MM X +.1 +.8 XX +.01 +.25 XXX +.005 +.1 ANGULAR +.1° +.1°		