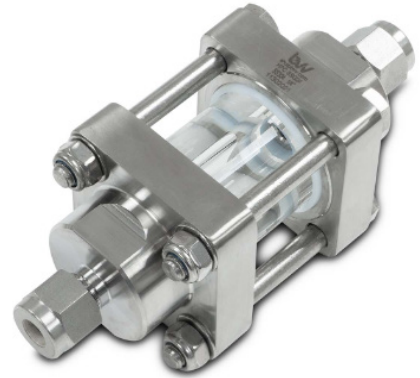


# BVV™ HIGH PRESSURE INLINE SIGHT GLASS

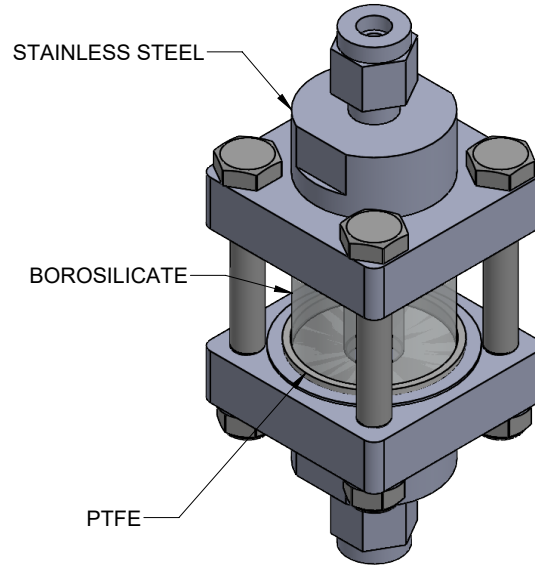
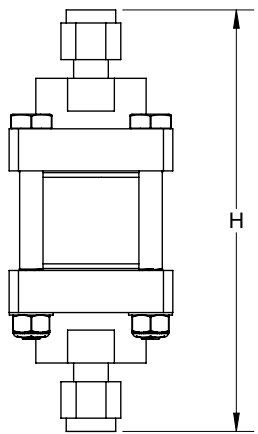
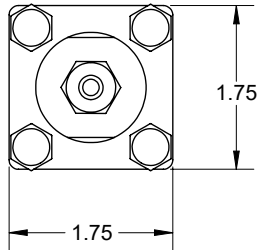
<b>Material:</b>	Endcaps: Stainless Steel
	Sight Glass: Borosilicate
	Sight Glass Spacer: PTFE
<b>Connection Type:</b>	Female NPT (HP-SSG)
	Female Compression (HPC-SSG)
<b>Temperature Range:</b>	-40 to 500°F (-40 to 250°C)
<b>Pressure Rating:</b>	300 PSI




## FITTING SPECIFICATIONS

Part No.	Connection Type	Connection Size (in)	Dimensions (in)		
	Type	Size	L	W	H
HP-SSG04	Female NPT	1/4	1.75	1.75	4.0
HP-SSG06	Female NPT	3/8	1.75	1.75	4.0
HP-SSG08	Female NPT	1/2	1.75	1.75	4.0
HPC-SSG04	Compression	1/4	1.75	1.75	4.5
HPC-SSG06	Compression	3/8	1.75	1.75	4.5
HPC-SSG08	Compression	1/2	1.75	1.75	4.5

# BVV™ HIGH PRESSURE INLINE SIGHT GLASS



TITLE: HPC-SSG		MATERIAL: N/A		NAME	<small>TOLERANCES UNLESS OTHERWISE SPECIFIED</small> <small>DECIMALS    IN    MM</small> <small>X            +/- .1    +/- .8</small> <small>XX          +/- .01    +/- .25</small> <small>XXX        +/- .00</small> <small>ANGULAR   +/- 1°   +/- 1°</small>		<b>PROPRIETARY AND CONFIDENTIAL</b>  <small>THE INFORMATION CONTAINED IN THIS DRAWING IS THE SOLE PROPERTY OF BEST VALUE VACS. ANY REPRODUCTION IN PART OR AS A WHOLE WITHOUT THE WRITTEN PERMISSION OF BEST VALUE VACS IS PROHIBITED.</small>	
DATE: 1/4/2023		REVISION: 00	FINISH: N/A	DRAWN				JB
SHEET: 1 OF 1	SHEET SIZE: A	UNITS: IN	CHECKED	ENG APPR.				