

HABONIM CRYOGENIC BALL VALVE

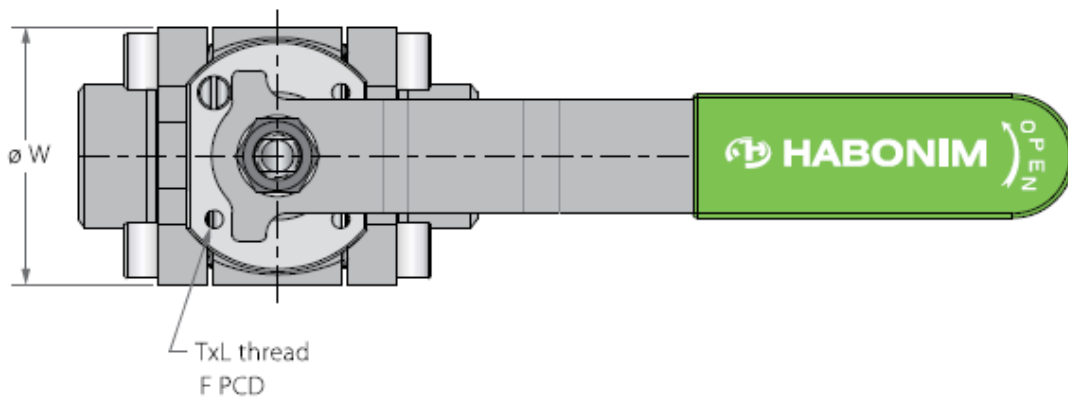
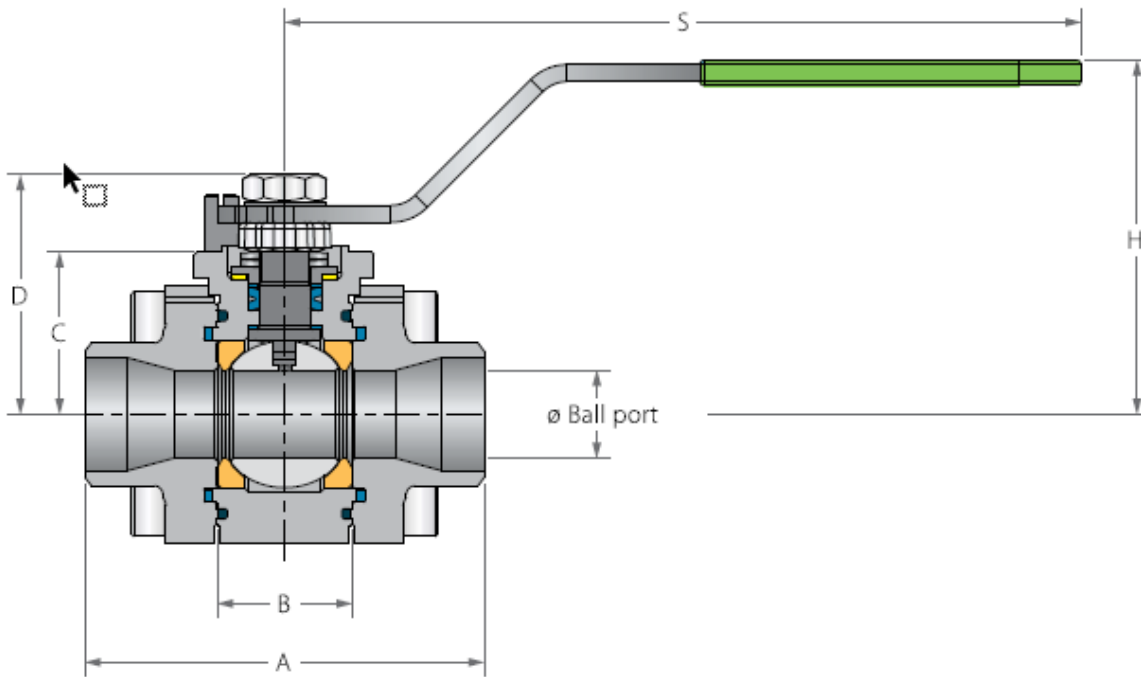
Material:	Seal: TFM Body: CF8M Ball: 316 Stainless Steel
Ball Valve:	Floating Valve
Design Type:	3 Piece
Temperature Range:	-76° - 500°F (-60° - 260°C)
ASME Class:	ASME 800
Working Pressure:	2000 Psi (137.89 Bar)
Connection Type:	Female NPT
Features:	• Equipped with Total HermetiX integrity package



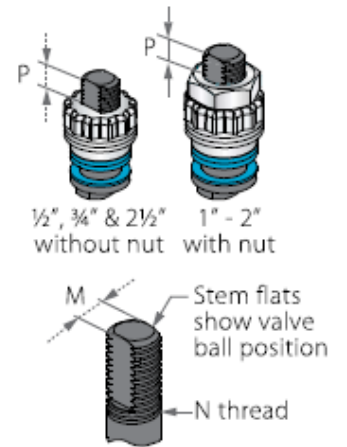
FITTING SPECIFICATIONS

Part No.	Weight (lb)	CV	Ball Port (in)	Dimensions (in)											
				A	B	C	D	H	S	W	M	N	P	F	TxL
HBCV04	1.33	3	0.44	2.60	0.81	1.14	1.49	2.42	5.91	1.85	0.22	3/8 UNF	0.26	1.42	M5X10
HBCV06	1.33	8	0.44	2.60	0.81	1.14	1.49	2.42	5.91	1.85	0.22	3/8 UNF	0.26	1.42	M5X10
HBCV08	1.77	12	0.56	2.78	0.97	1.24	1.59	2.52	5.91	2.11	0.22	3/8 UNF	0.26	1.42	M5X10
HBCV16	5.53	57	1.00	4.25	1.62	1.68	2.37	3.31	7.36	2.82	0.30	7/16 UNF	0.29	1.65	M5X10

HABONIM CRYOGENIC BALL VALVE

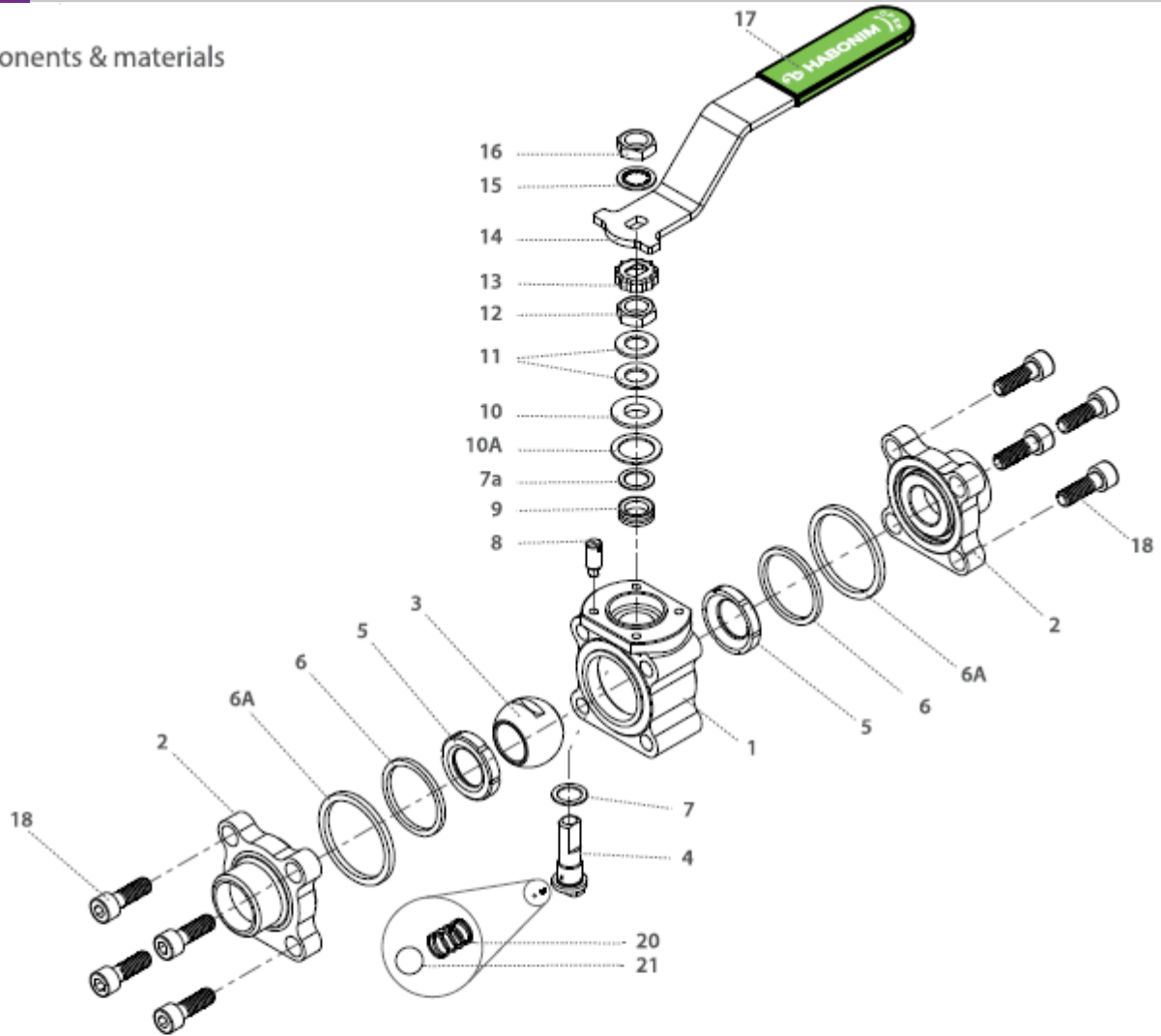


Preparation for actuation



HABONIM CRYOGENIC BALL VALVE

Components & materials



Item	Description	Material specification	Qty.
1	Body	Acc. Ordering Code	1
2	Ends	Acc. Ordering Code	2
3	Ball	Acc. Ordering Code	1
4	Stem	Acc. Ordering Code	1
5*	Seat	Acc. Ordering Code	2
6*	Inner seal	PTFE	2
6A*	Outer seal	Acc. Ordering Code	2
7*	Stem thrust seal	VIRGIN PEEK, PCTFE	1
7a*	Anti-abrasion ring	VIRGIN PEEK, PCTFE	1
8	Stop pin	S. Steel	1
9*	Stem seal	CF PTFE, TFM	1
10	Follower	S. Steel	1

⁽¹⁾ 2½" (DN65) size maximum pressure rating is Class 400.

Item	Description	Material specification	Qty.
10A*	Slide bearing	S. Steel	1
11	Disc spring	S. Steel	2
12	Stem nut	S. Steel	1
13	Locking clip	S. Steel	1
14	Handle	S. Steel	1
15	Serrated washer	S. Steel	1
16	Handle nut	S. Steel	1
17	Sleeve	PVC	1
18	Body bolt	S. Steel	8
20	Anti-static spring	S. Steel	1
21	Anti-static plunger	S. Steel	1
23	Tag (not shown)	A167S, Steel304	1

* Repair kit components