

## Chemistry diaphragm pump MD 4C NT

Order no.: 20736403

Three-stage chemistry-design diaphragm pumps are an excellent solution for continuous, oil-free pumping of corrosive gases and vapors and meet even challenging requirements. The three-stage design provides the advantageous combination of high pumping speed and very low ultimate vacuum. All parts of the MD 4C NT in contact with pumped media are made of chemically resistant fluoroplastics. Well-proven PTFE sandwich diaphragms provide increased reliability and extended operating life. Due to the gas ballast valve and its very good ultimate vacuum (even with gas ballast) the MD 4C NT is also suitable for pumping condensable vapors of high-boiling solvents. The NT-series features further improved performance data, easy service and superior vapor tolerance.



### Performance features

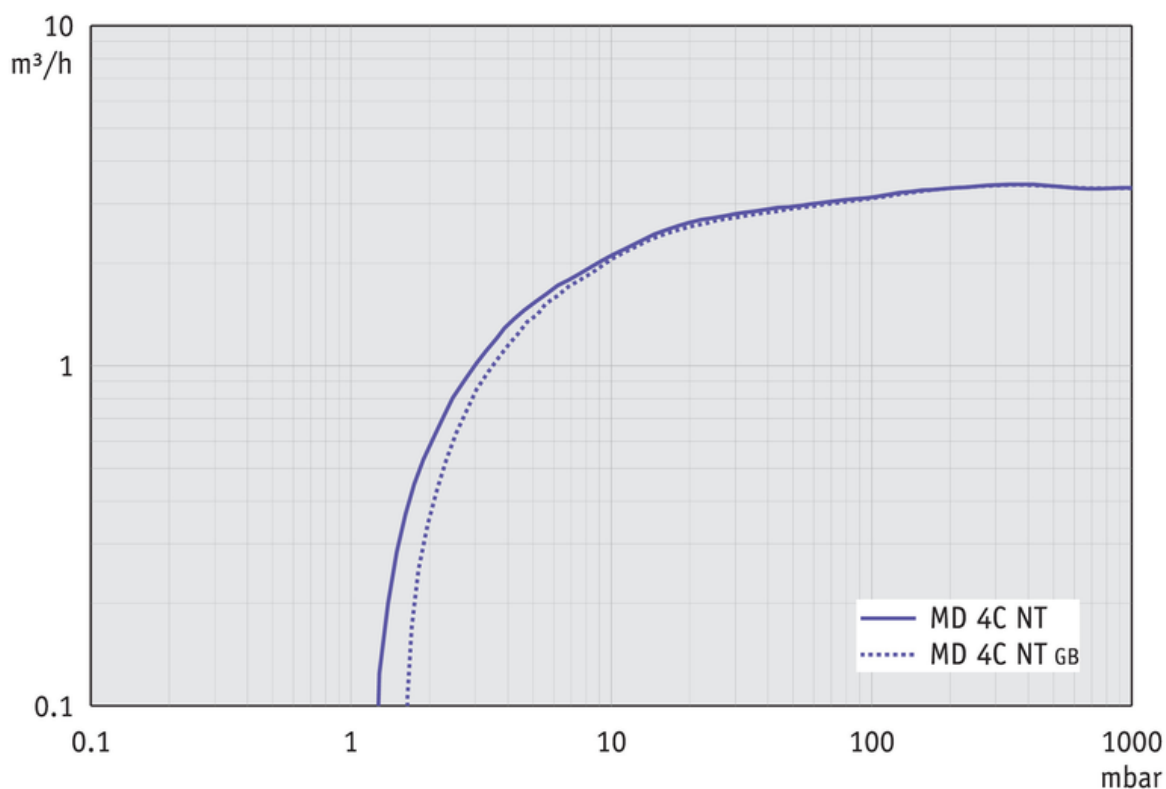
- outstanding chemical resistance and superior vapor tolerance
- exceptionally high performance even at low vacuum
- excellent ultimate vacuum even with gas ballast
- whisper quiet and very low vibration
- long diaphragm life, maintenance-free drive system

### Technical data

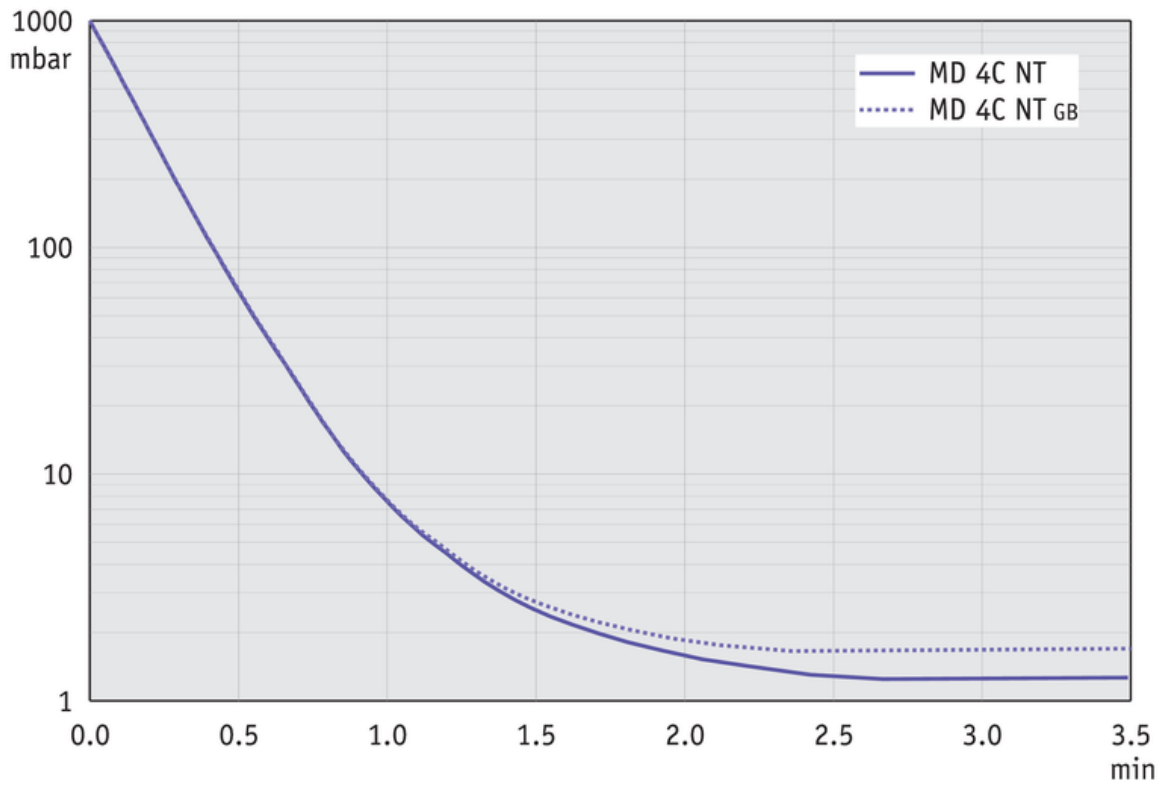
Number of heads / stages		4 / 3
Max. pumping speed at 50/60 Hz	m <sup>3</sup> /h	3.4 / 3.8
Max. pumping speed at 50/60 Hz	cfm	2.0 / 2.2
Ultimate vacuum (abs.)	mbar/torr	1.5 / 1.1
Ultim. vac. (abs.) with gas ballast	mbar/torr	3 / 2.2
Ambient temperature range (operation)	°C	10 - 40
Ambient temperature range (storage)	°C	-10 - 60
Max. back pressure (abs.)	bar	1.1
Inlet connection		Hose nozzle DN 8-10 mm
Outlet connection		Hose nozzle DN 8-10 mm
Rated motor power	kW	0.25
Rated motor speed at 50/60 Hz	min <sup>-1</sup>	1500/1800
Degree of protection		IP 40
Dimensions (L x W x H), approx.	mm	325 x 243 x 198

Weight, approx.	kg	14.3
Noise level at 50 Hz, typ.	dBA	45
CE mark		No
NRTL certification		Canada and the USA
Items supplied		Pump completely mounted, ready for use, with manual.
Accessories		Rubber vacuum tubing DN 8 mm (20686001)

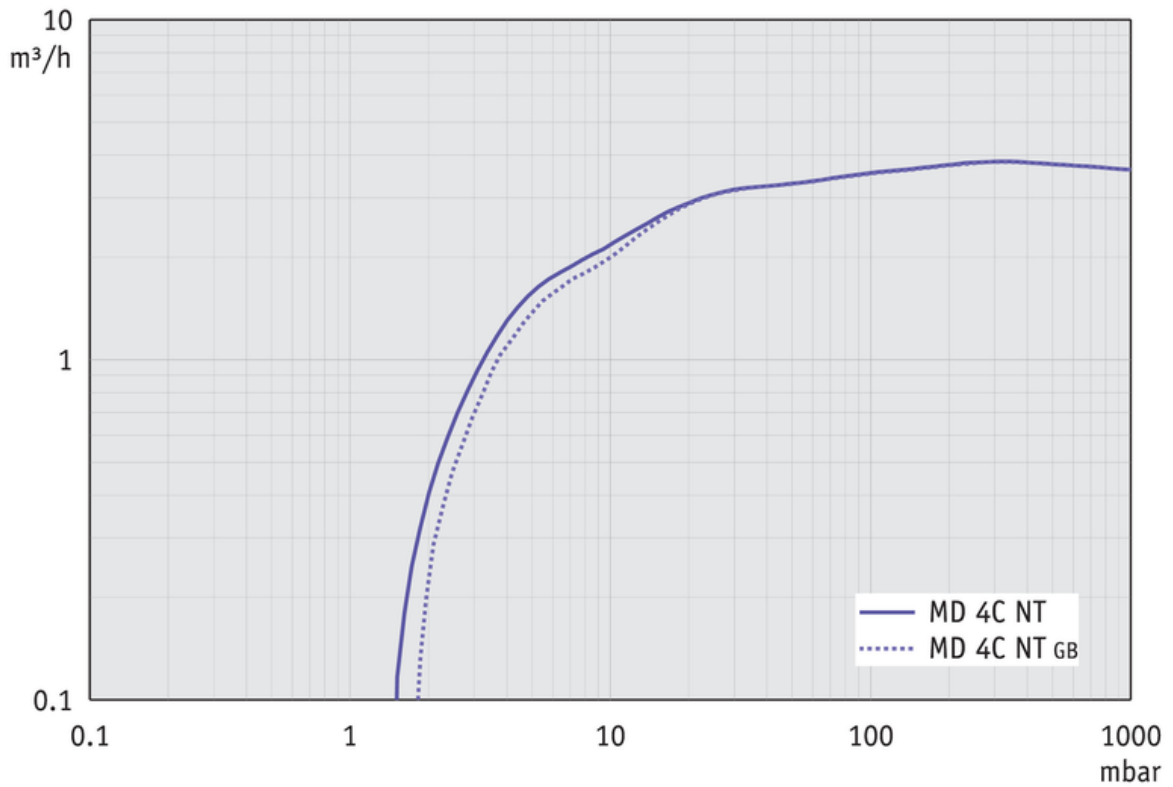
Pumping speed graph at 50 Hz



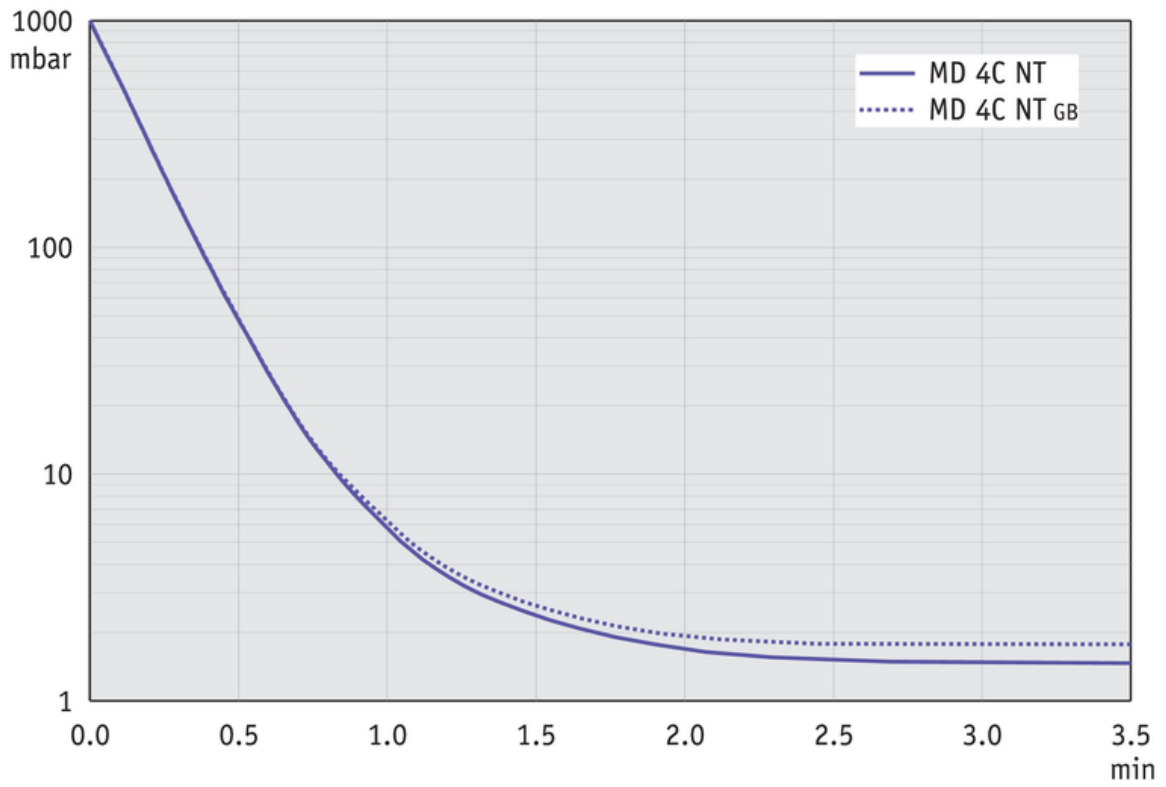
Pump down graph at 50 Hz  
(10 l volume)



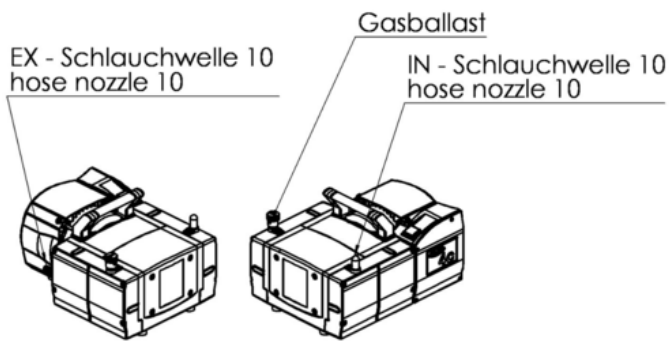
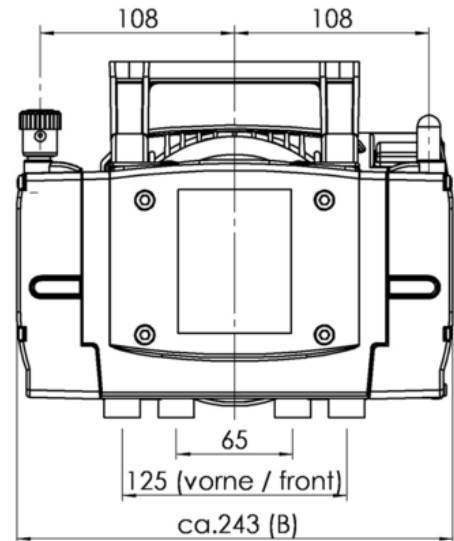
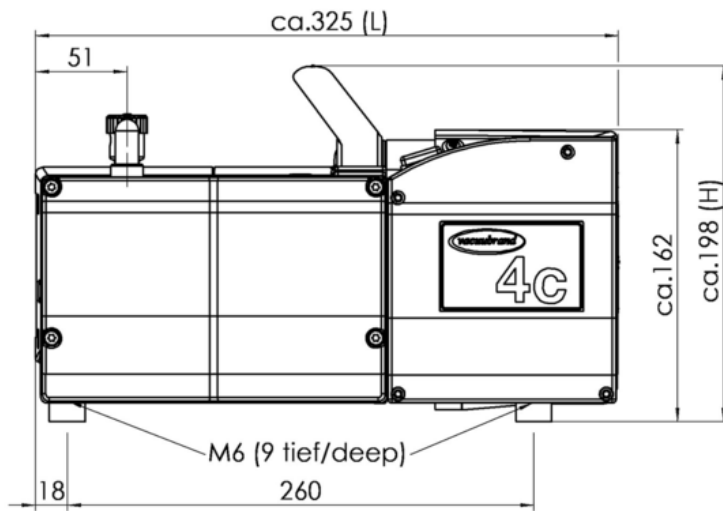
Pumping speed graph at 60 Hz



Pump down graph at 60 Hz  
(10 l volume)



## Dimension sheet



Alle Maße / all dimensions (mm)

VACUUBRAND MD 4C NT  
Version 2009/02/26

## Ordering data

Product name	Mains voltage and frequency	Plug	Order no.
MD 4C NT	100-115 V~ 50-60 Hz 120 V~ 60 Hz	US	20736403