

STAINLESS STEEL MINIATURE BUTTERFLY HANDLE BALL VALVE

Full Port | 1000 PSI | 1/4" MNPT x 1/4" FNPT
 WWW.SHOPBVV.COM | SUPPORT@SHOPBVV.COM

FEATURES

- Investment Cast Body Construction
- 1 Piece Body Design
- Blow-Out-Proof Stem Design
- Male Threaded End x Female Threaded End
- Super Alloy materials for highly corrosive medium are available upon request

PRODUCT SPECIFICATIONS

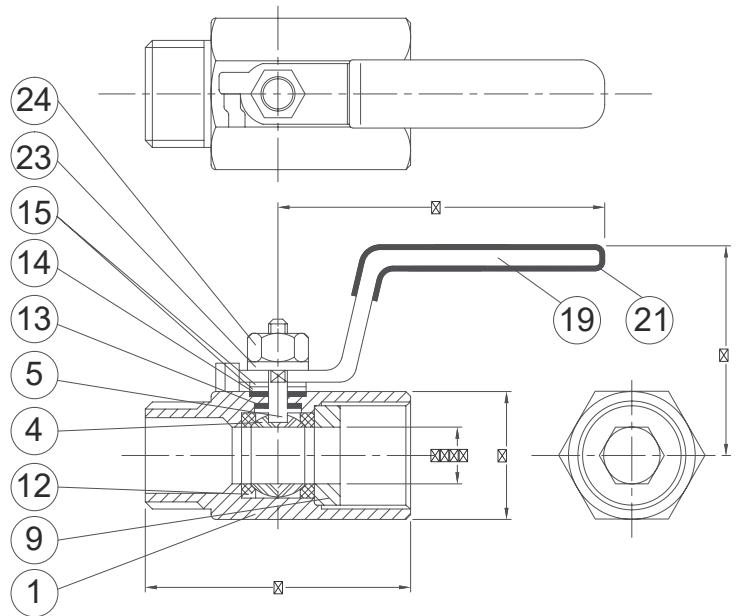
- **Size Range** 1/4" ~ 1" (DN8 ~ DN25)
- **End Connection** Threaded Ends
- **Working Pressure** 1000PSI (CWP) for 1/4" ~ 1" / PN63 for DN8 ~ DN25
- **Temperature Range** -4 to 320 °F (-20 to 160 °C) for PTFE.

STANDARDS

- **Design** EN-12516-1/3
- **Threaded End** NPT/ BS 21 (BSP) / BSPT / ISO 228-1 / DIN 2999 / ISO 7-1Rp
- **Face to Face** MFG Standard
- **Material** ASTM
- **Pressure Testing** API 598

CERTIFICATE

- **Quality Assurance** ISO 9001
- **Material Certificate** EN 10204-3.1 MTR
- **CE Approval** PED 2014/68/EU Module H



MATERIAL LIST

NO.	PART NAME	MATERIAL (more options available)
1	BODY	ASTM A351 Gr.CF8M
4	BALL	ASTM A276 Gr.316 for DN8 ~ DN15 ASTM A351 Gr.CF8M for DN20 ~ DN25
5	STEM	ASTM A276 Gr.316
9	INSERT CAP	ASTM A351 Gr.CF8M
11	BODY SEAL	PTFE.
12	SEAT	PTFE.
13	THRUST WASHER	PTFE.
14	STEM PACKING	PTFE.
15	GLAND WASHER	SS304
19	HANDLE	SS304
21	HANDLE COVER	PLASTIC
23	SPRING WASHER	SS304
24	HANDLE NUT	SS304

DIMENSION unit : mm

SIZE	PORT	L	E	H	W
DN8	1/4"	5.0	46.0	70.0	16.0

DIMENSION unit : inch

SIZE	PORT	L	E	H	W
DN8	1/4"	0.19	1.81	2.75	0.62