



Technical Data Sheet

BVV™ NEO SIGHT GLASS

*PEER REVIEWED CERTIFIED

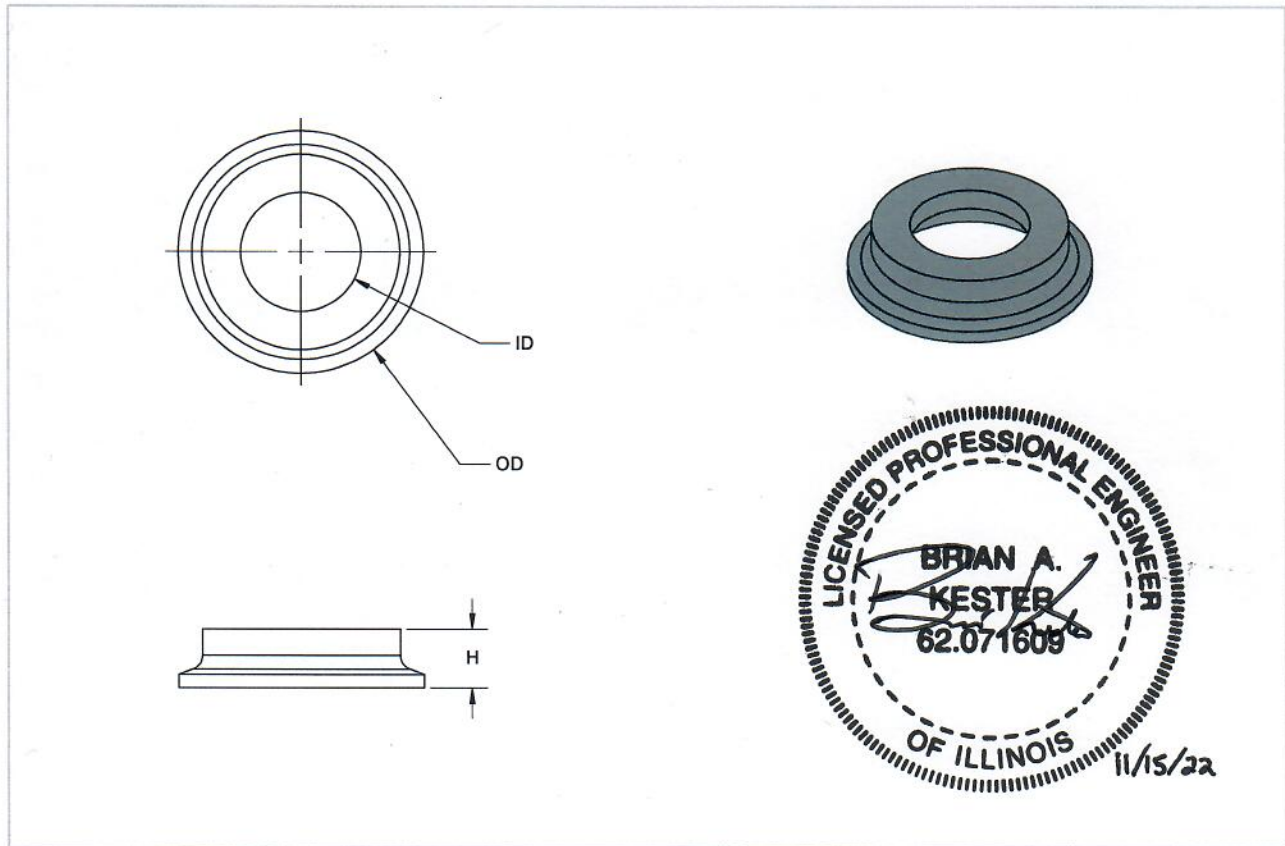
WWW.SHOPBVV.COM | SUPPORT@SHOPBVV.COM

Material:	Ferrule: 304 Stainless Steel Gasket: Viton Glass: Soda-lime Tempered
Sizes	1.5" and 2"
Temperature Range:	-76° - 250°F (-60° - 121.11°C)
Connection Type:	Tri-Clamp
Working Pressure:	-14.2 - 250 PSI
Features:	<ul style="list-style-type: none"> Peer reviewed certified Working pressure safety factor of 4



FITTING SPECIFICATIONS

Part No.	Tri-Clamp (in)		Dimensions (in)	
	Size	ID	OD	H
NEOSG150	1.5	0.988	1.984	0.490
NEOSG200	2	1.409	2.516	0.490



TITLE: NEOSGF		MATERIAL: 304 SS		NAME	<small>TOLERANCES UNLESS OTHERWISE SPECIFIED</small> DECIMALS IN MM X +/- .1 +/- .8 XX +/- .01 +/- .25 XXX +/- .005 ANGULAR +/- 1° +/- 1°		<small>PROPRIETARY AND CONFIDENTIAL</small> THE INFORMATION CONTAINED IN THIS DRAWING IS THE SOLE PROPERTY OF BEST VALUE VACS. ANY REPRODUCTION IN PART OR AS A WHOLE WITHOUT THE WRITTEN PERMISSION OF BEST VALUE VACS IS PROHIBITED.
DATE: 11/15/2022	REVISION: 00	FINISH: N/A	DRAWN	JB			
SHEET: 1 OF 1	SHEET SIZE: A	UNITS: IN	CHECKED	ENG APPR.			