

BVV™ BAFFLED TRI-CLAMP CONDENSER

Material:	304 Stainless Steel
Ports:	(2) 1/2" FNPT
Temperature Range:	Gasket Dependent
Connection Type:	Tri-Clamp
Shell Working Pressure:	100 psi
Tube Working Pressure:	Clamp Dependent



FITTING SPECIFICATIONS

Part No.	Tri-Clamp (in)	# Tubes	# Baffles	Dimensions (in)		
	Size			L	L2	ID
200X36BC	2	3	4	18	3.48	1.87
200X36BC	2	7	5	36	5.88	1.87
300X18BC	3	19	4	18	3.48	2.87
300X36BC	3	19	5	36	5.88	2.87
400X12BC	4	31	3	12	2.88	3.834
400X24BC	4	31	5	24	3.88	3.834
600x12BC	6	61	3	12	2.88	5.78
600X24BC	6	61	5	24	3.88	5.78
800X12BC	8	91	3	12	2.88	7.782
800X24BC	8	91	5	24	3.88	7.782
1000X12BC	10	169	3	12	2.88	9.782
1000X24BC	10	169	5	24	3.88	9.782
1200X12BC	12	217	3	12	2.88	11.76
1200X24BC	12	217	5	24	3.88	11.76

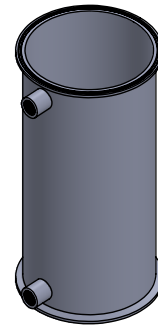
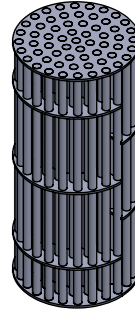
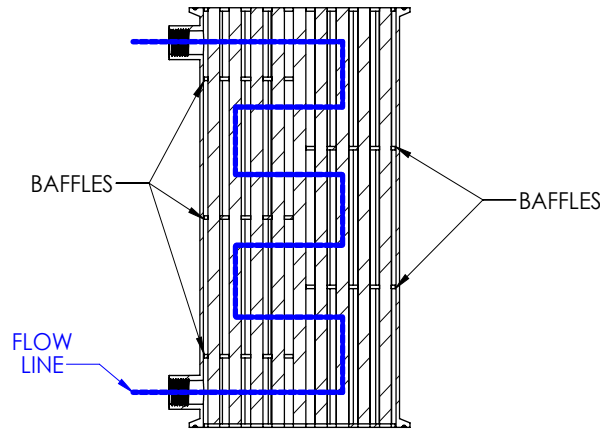
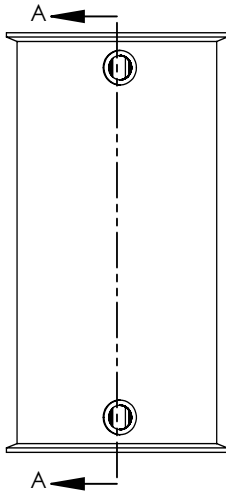
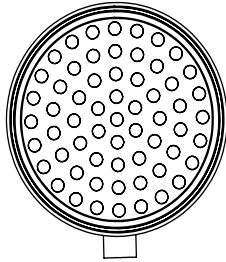


BUILDING VISION AND VARIETY


Technical Data Sheet

BVV™ BAFFLED TRI-CLAMP CONDENSER

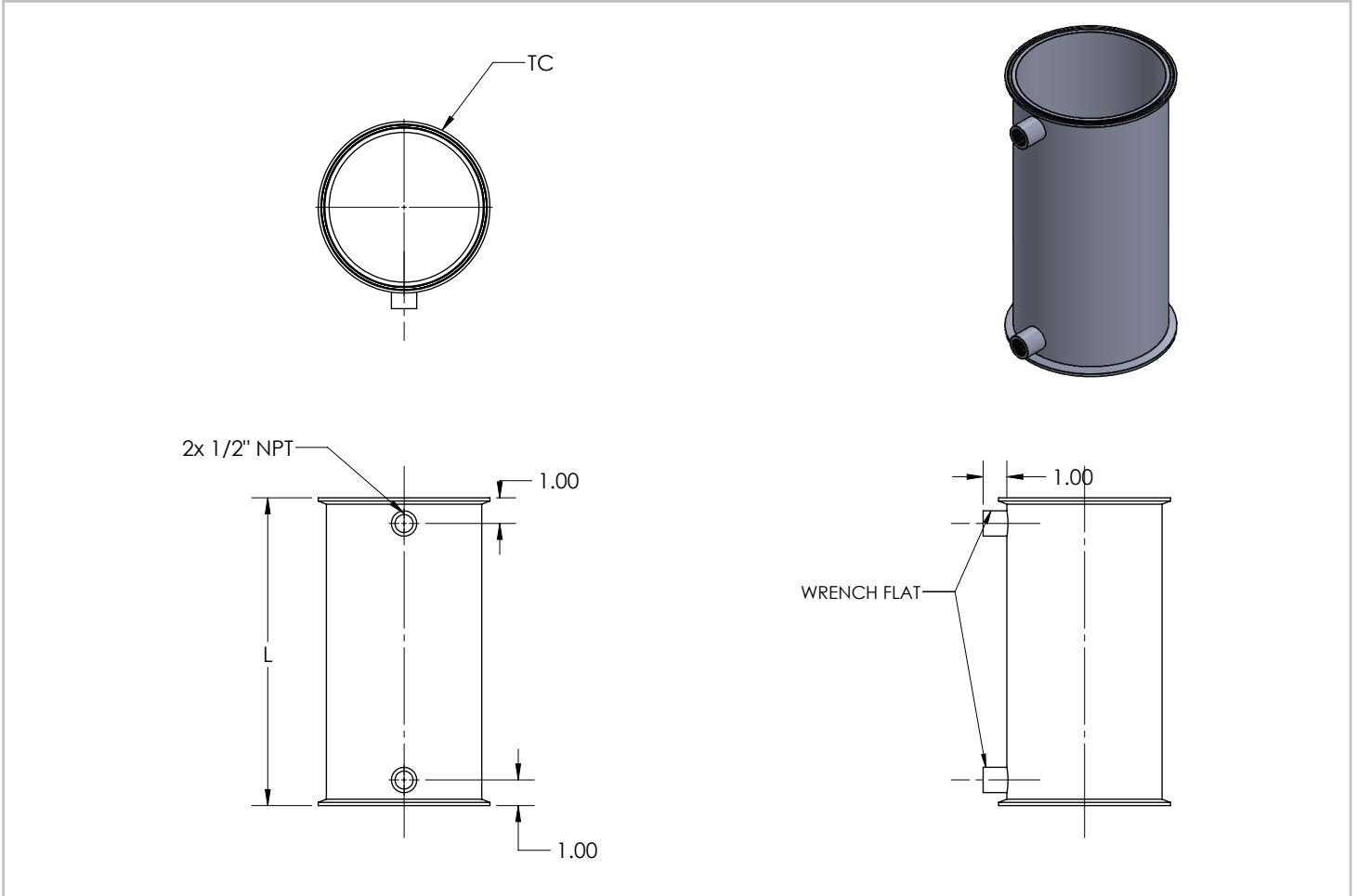
WWW.SHOPBVV.COM | SUPPORT@SHOPBVV.COM




SECTION A-A
SCALE 1 : 4

TITLE: BAFFLED CONDENSER ASSEMBLY		MATERIAL: 304SS		NAME	TOLERANCES UNLESS OTHERWISE SPECIFIED		PROPRIETARY AND CONFIDENTIAL THE INFORMATION CONTAINED IN THIS DRAWING IS THE SOLE PROPERTY OF BEST VALUE VACS. ANY REPRODUCTION IN PART OR AS A WHOLE WITHOUT THE WRITTEN PERMISSION OF BEST VALUE VACS IS PROHIBITED.
DATE: 10/24/2022		FINISH: N/A	DRAWN	SM			
REVISION: 01	UNITS: INCH	CHECKED	JM	SM	DECIMALS IN X +/- .1 XX +/- .01 XXX +/- .005 ANGULAR +/- 1°		
SHEET: 1 OF 3	SHEET SIZE: A	SCALE: 1:2	ENG APPR.	SM			

BVV™ BAFFLED TRI-CLAMP CONDENSER



TITLE: CONDENSER SPOOL		MATERIAL: 304SS		NAME	<small>TOLERANCES UNLESS OTHERWISE SPECIFIED</small> <small>DECIMALS IN</small> <small>X +/- .1</small> <small>XX +/- .01</small> <small>XXX +/- .005</small> <small>ANGULAR +/- 1°</small>		PROPRIETARY AND CONFIDENTIAL <small>THE INFORMATION CONTAINED IN THIS DRAWING IS THE SOLE PROPERTY OF BEST VALUE VACS. ANY REPRODUCTION IN PART OR AS A WHOLE WITHOUT THE WRITTEN PERMISSION OF BEST VALUE VACS IS PROHIBITED.</small>
DATE: 10/24/2022	REVISION: 01	FINISH: N/A	DRAWN	SM			
SHEET: 2 OF 3	SHEET SIZE: A	UNITS: INCH	CHECKED	JM			
		SCALE: 1:5	ENG APPR.	SM			

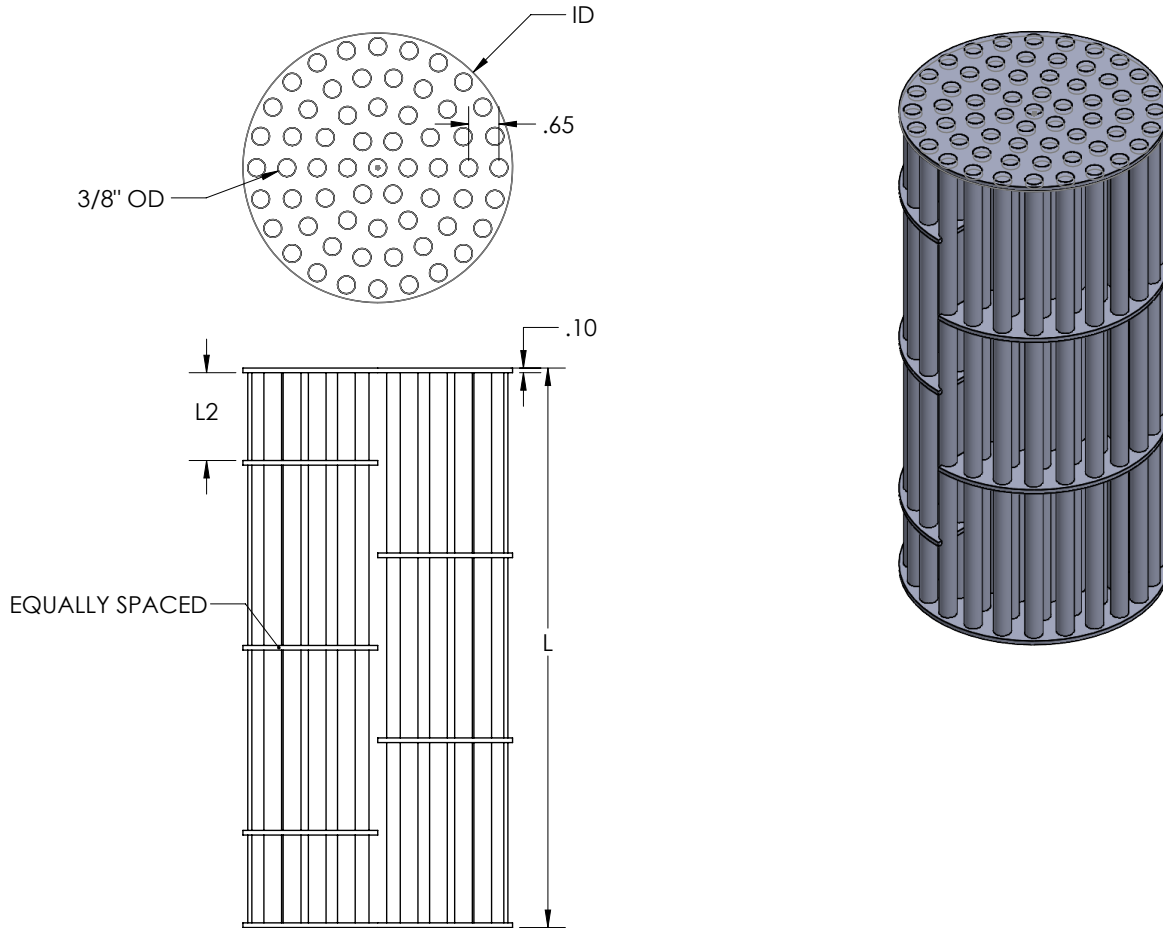


BUILDING VISION AND VARIETY

Technical Data Sheet

BVV™ BAFFLED TRI-CLAMP CONDENSER

WWW.SHOPBVV.COM | SUPPORT@SHOPBVV.COM



TITLE: BAFFLE CONDENSER		MATERIAL: 304SS		NAME	TOLERANCES UNLESS OTHERWISE SPECIFIED	 BUILD VISION AND VARIETY	PROPRIETARY AND CONFIDENTIAL THE INFORMATION CONTAINED IN THIS DRAWING IS THE SOLE PROPERTY OF BEST VALUE VACS. ANY REPRODUCTION IN PART OR AS A WHOLE WITHOUT THE WRITTEN PERMISSION OF BEST VALUE VACS IS PROHIBITED.
DATE: 10/24/2022	REVISION: 01	FINISH: N/A	DRAWN	SM			
SHEET: 3 OF 3	SHEET SIZE: A	UNITS: INCH	CHECKED	JM	DECIMALS IN X +/- .1 XX +/- .01 XXX +/- .005 ANGULAR +/- °		
		SCALE: 1:2	ENG APPR.	SM			