

BVV™ PTFE ENVELOPE TRI-CLAMP GASKETS WITH VITON FILLER

WWW.SHOPBVV.COM | SUPPORT@SHOPBVV.COM

Material:	PTFE (Teflon) / Viton Filler (FKM)
Color:	White / Black
Connection Type:	Tri-Clamp
Conformance	<ul style="list-style-type: none"> • U.S.P. CLASS VI COMPLIANCE. • Passes USP Class VI Cytotoxicity Testing. • Suitable for high purity pharmaceutical grade applications. • PTFE is FDA 21, 177,1550 compliant. • FKM (Viton) inner cores are FDA CFR 21, 177.2600 compliant.



Thermal Properties:	Low Temperature Range	-100°F
	Minimum Continuous Use (Static)	-65°F
	Brittle Point	-100°F
	High Temperature Range	+400°F
	Maximum for Continuous Use (Static)	+400°F

FITTING SPECIFICATIONS

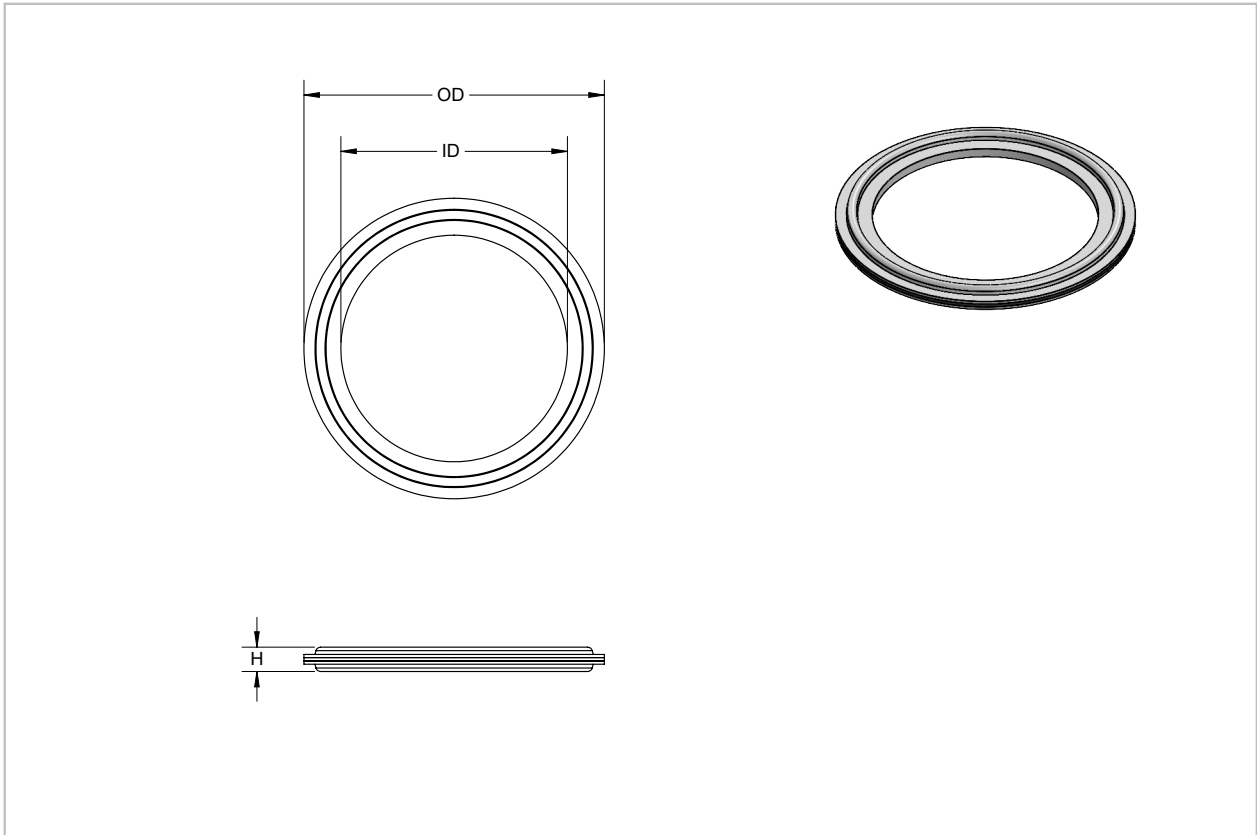
Part No.	Tri-Clamp Size (in)	Dimensions (in)		
		ID	OD	H
A40MPGR-150-V	1.5	1.40	1.98	0.215
A40MPGR-200-V	2	1.90	2.52	0.200
A40MPGR-300-V	3	2.90	3.58	0.205
A40MPGR-400-V	4	3.87	4.68	0.205
A40MPGR-600-V	6	5.82	6.51	0.215
A40MPGR-800-V	8	7.78	8.67	0.238
A40MPGR-1000-V	10	9.77	10.66	0.238
A40MPGR-1200-V	12	11.73	12.66	0.238


BVV™ PTFE ENVELOPE TRI-CLAMP GASKETS WITH VITON FILLER

CHEMICAL COMPATIBILITY

Alcohol	Grade
Amyl	A - Excellent
Benzyl	A - Excellent
Butyl	A - Excellent
Diacetone	A - Excellent
Ethyl	A - Excellent
Hexyl	A - Excellent
Isobutyl	A - Excellent
Isopropyl	A - Excellent
Methyl	A - Excellent
Octyl	A - Excellent
Propyl	A - Excellent

Chemical	Grade
Butane	A - Excellent
Propane (liquified)	A - Excellent



TITLE: A40MPGR-XXXX-V		MATERIAL: PTFE/VITON		NAME		<small>TOLERANCES UNLESS OTHERWISE SPECIFIED</small> <table border="1"> <tr> <th>DECIMALS</th> <th>IN</th> <th>MM</th> </tr> <tr> <td>X</td> <td>+/- .1</td> <td>+/- .8</td> </tr> <tr> <td>XX</td> <td>+/- .01</td> <td>+/- .25</td> </tr> <tr> <td>XXX</td> <td>+/- .00</td> <td></td> </tr> <tr> <td>ANGULAR</td> <td>+/- 1°</td> <td>+/- 1°</td> </tr> </table>	DECIMALS	IN	MM	X	+/- .1	+/- .8	XX	+/- .01	+/- .25	XXX	+/- .00		ANGULAR	+/- 1°	+/- 1°	 <p>PROPRIETARY AND CONFIDENTIAL THE INFORMATION CONTAINED IN THIS DRAWING IS THE SOLE PROPERTY OF BEST VALUE VACCS. ANY REPRODUCTION IN PART OR AS A WHOLE WITHOUT THE WRITTEN PERMISSION OF BEST VALUE VACCS IS PROHIBITED.</p>	
DECIMALS	IN	MM																					
X	+/- .1	+/- .8																					
XX	+/- .01	+/- .25																					
XXX	+/- .00																						
ANGULAR	+/- 1°	+/- 1°																					
DATE: 8/1/2022	REVISION: 00	UNITS: IN	CHECKED	JB																			
SHEET: 1 OF 1	SHEET SIZE: A	SCALE: 1:1	ENG APPR.																				