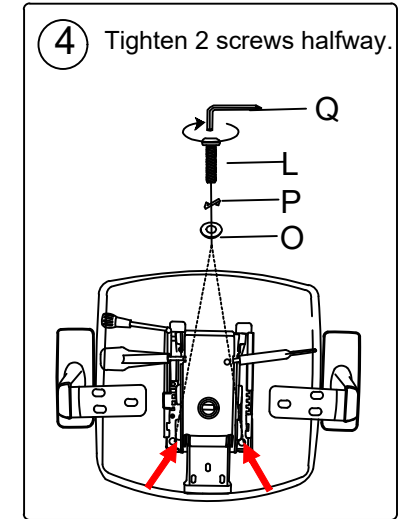
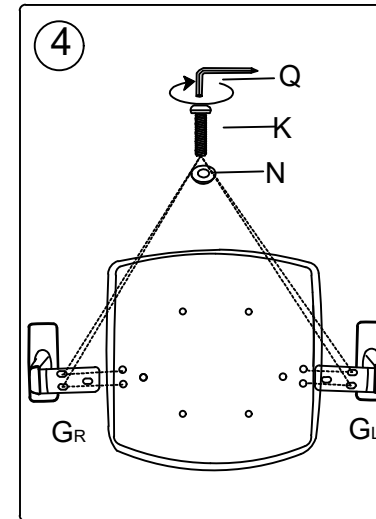
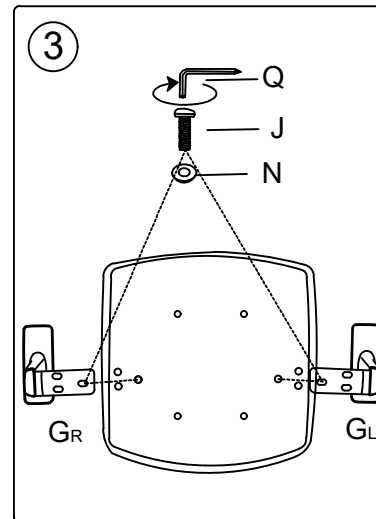
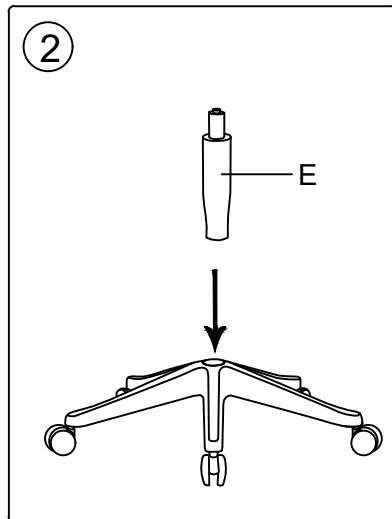
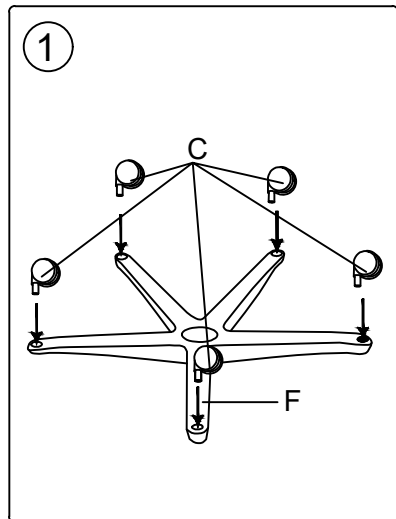
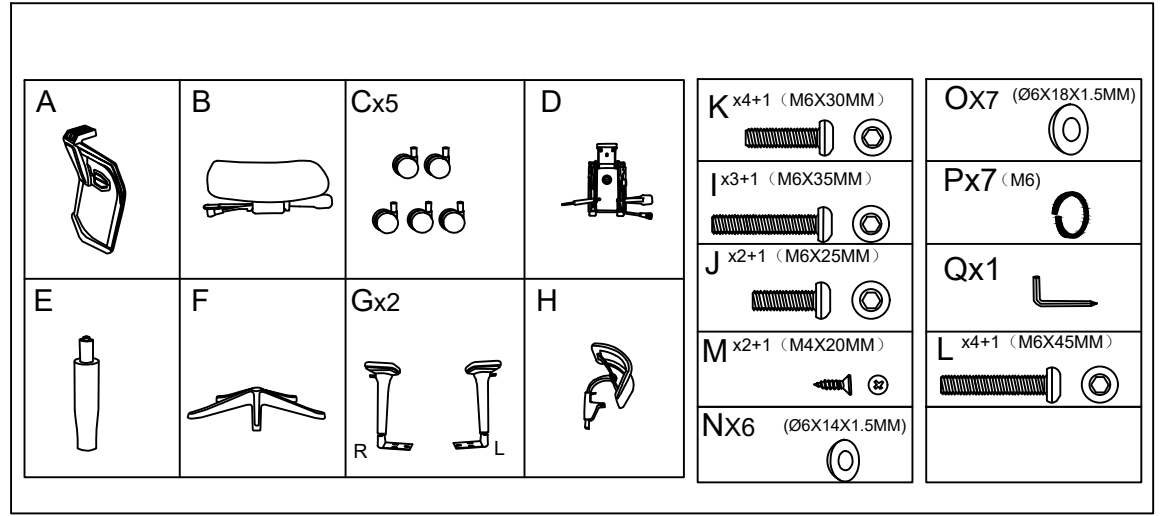
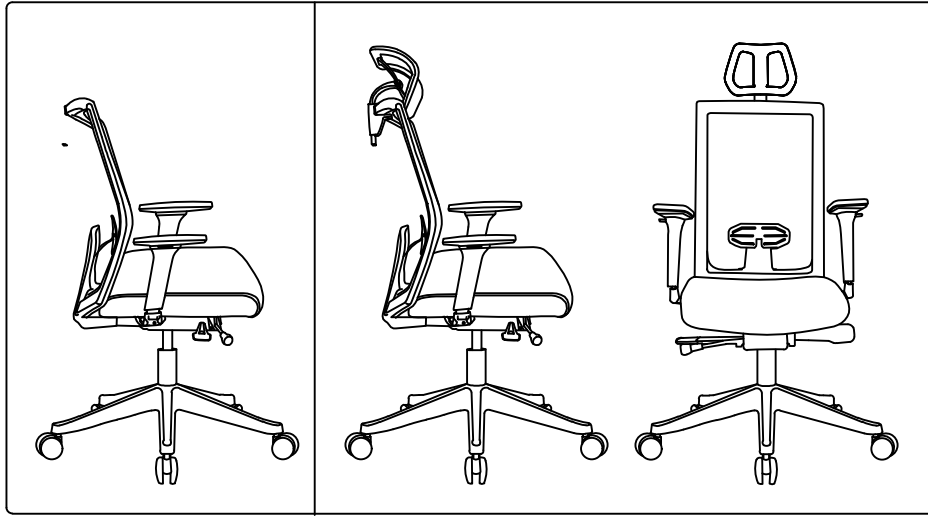
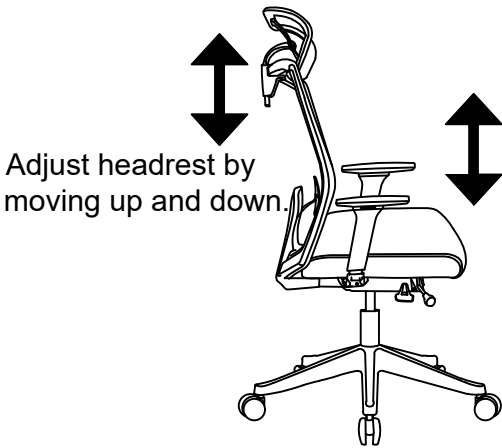
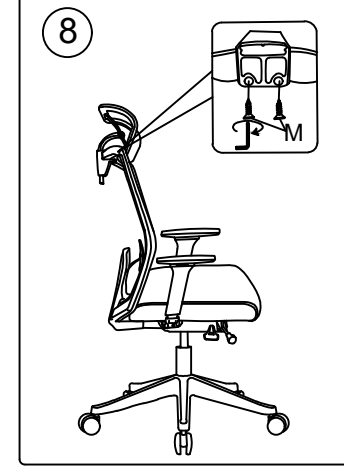
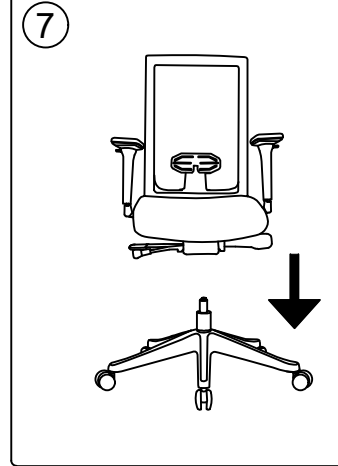
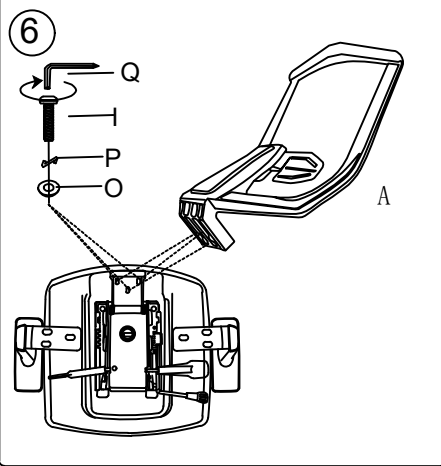
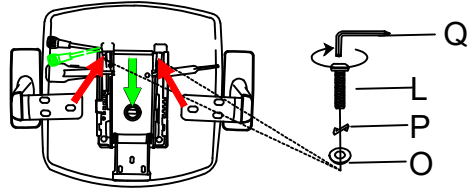


ASSEMBLY INSTRUCTIONS

Please read instructions carefully before assembling this product.

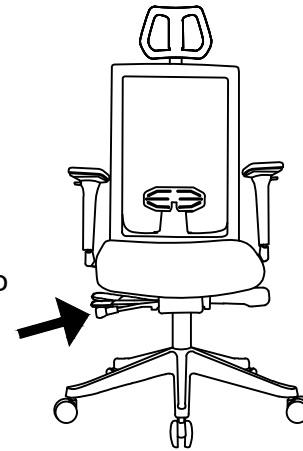


5 Pull the handle to make the mechanism slide forward to the end. Tighten the other 2 screws in place. Then push the handle to make the mechanism slide backwards. Fully tighten the first 2 screws. Note: Do not push/pull the handle when tightening the screws to prevent mechanism from sliding and injuring fingers.

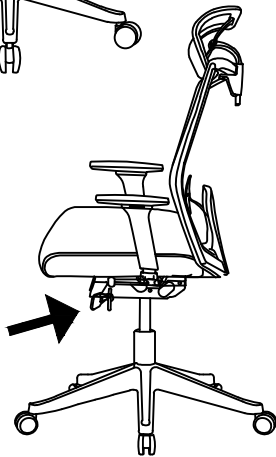


Adjust armrests by moving up and down, forwards and backwards, left and right, and tilting inwards and outwards

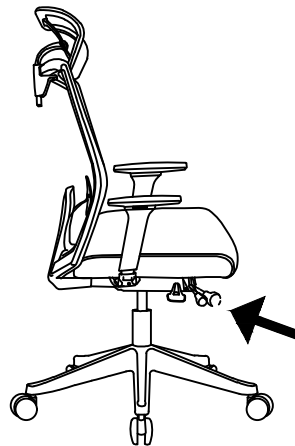
Pull the chair handle upwards to control the seat height.



Pull the chair handle upwards to control the backrest angle. There are four lockable positions.



Pull the chair handle upwards to control the depth of the seat.



ATTENTION

WARNING - FAILURE TO FOLLOW THESE INSTRUCTIONS MAY RESULT IN SERIOUS INJURY:

1. THIS PRODUCT IS DESIGNED FOR SITTING ONLY. DO NOT STAND ON THIS PRODUCT. DO NOT USE AS A STEP LADDER.
2. DO NOT USE THIS PRODUCT UNLESS ALL BOLTS AND PARTS ARE TIGHTENED FIRMLY.
3. IF ANY PARTS ARE MISSING, DAMAGED OR WORN, STOP USING THIS PRODUCT. REPAIR THE PRODUCT WITH THE REPLACEMENT PARTS PROVIDED BY THE MANUFACTURER.
4. DO NOT SIT ON THE ARMREST OF THIS PRODUCT.
5. THIS PRODUCT IS DESIGNED FOR ONE PERSON TO SIT AT A TIME.
6. FOR CHILDREN UNDER THE AGE OF 10, PLEASE USE UNDER ADULT SUPERVISION.