

Item No.: ED-PMONA-SA
Installation guide

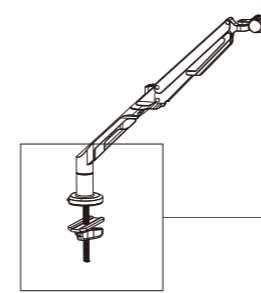
M4X12MM A(4PCS) M5X12MM B(4PCS) M6x12MM C(3PCS) ϕ 6.5X ϕ 13X1.8 D(8PCS) 4x4mm Allen Key E(1PC) 5x5mm Allen Key F(1PC)

1	Perforated plate	1 pc	1
2	Long screw	1 pc	
3	Knob nut	1 pc	
4	Pressure plate	1 pc	2
5	Base mounting plate	1 pc	
6	Clip	1 pc	3
7	Wire buckle plastic cover	1 pc	
8	Protection pad 1	1 pc	
9	Protection pad 2	1 pc	3
10	Protection pad 3	1 pc	
11	Monitor Arm	1 pc	
12	VESA plate	1 pc	



STEP 2-B

Option2: Grommet



Notice: Keep the counterbore side down

Available hole size: 8.5-70mm

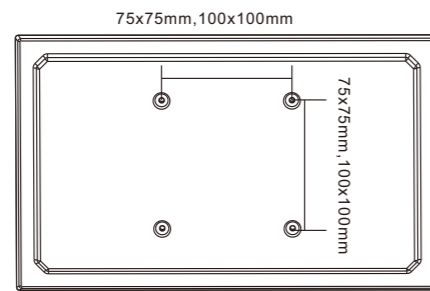
For desk thickness: 25-100mm

Tighten

STEP 1

The Preparation Before Monitor Installation

1. Make sure there are VESA holes 100x100mm or 75x75mm in the monitor. If not, the mount couldn't be installed.
2. Remove the original fixed base of monitor. Be careful not to scratch the screen.



STEP 3

Connect the plate and monitor

1 Use the allen key (F) to tighten the screw

Use washer if needed (D)

Tighten

STEP 2-A

Option1:

select proper available hole according to thickness of desk

For desk thickness: 20-100mm

Tighten

STEP 4

Install the monitor to the arm

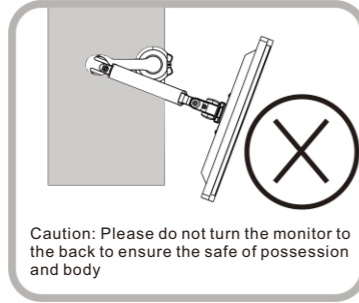
tighten

VESA plate

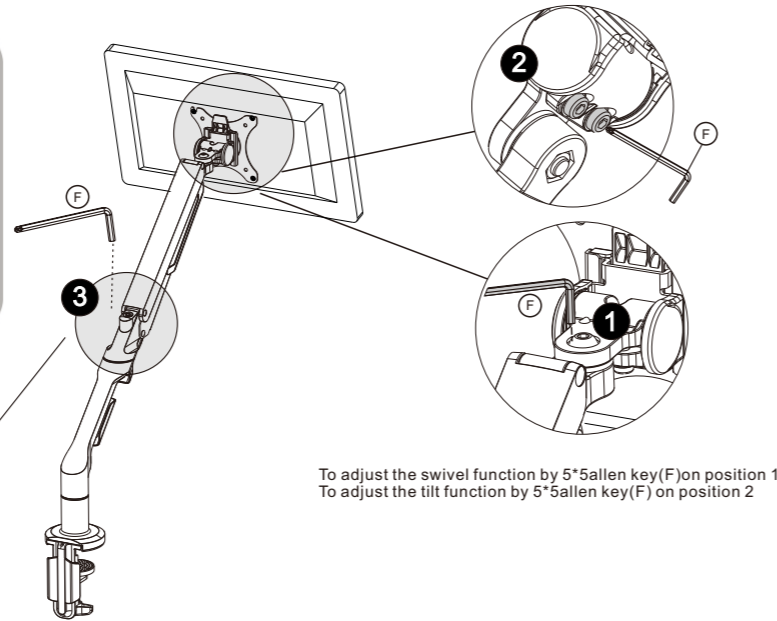
Hang the monitor on the plate from top to bottom and ensure it be tightened

STEP 5

Adjust the monitor



Pls adjust the screw in "-"direction when the monitor up and "+"direction when it down.



To adjust the swivel function by 5*5allen key(F)on position 1
To adjust the tilt function by 5*5allen key(F) on position 2



CAUTION

This product contains small items that could be a choking hazard if swallowed.Keep these items away from young children.

- Make Sure these instructions are read and completely understood before attempting installation.If you are unsure of any part of this installation,please contact a professional installer for assistance.
- The desk or mounting surface must be capable of supporting the combined weight of the mount and the display,otherwise the structure must be reinforced.
- Safety gear and proper tools must be used.A minimum of two people are required for this installation.Failure to use safety gear can result in property damage,serious injury or death.
- please check joint parts every two months,making sure the screws are loosened or not.

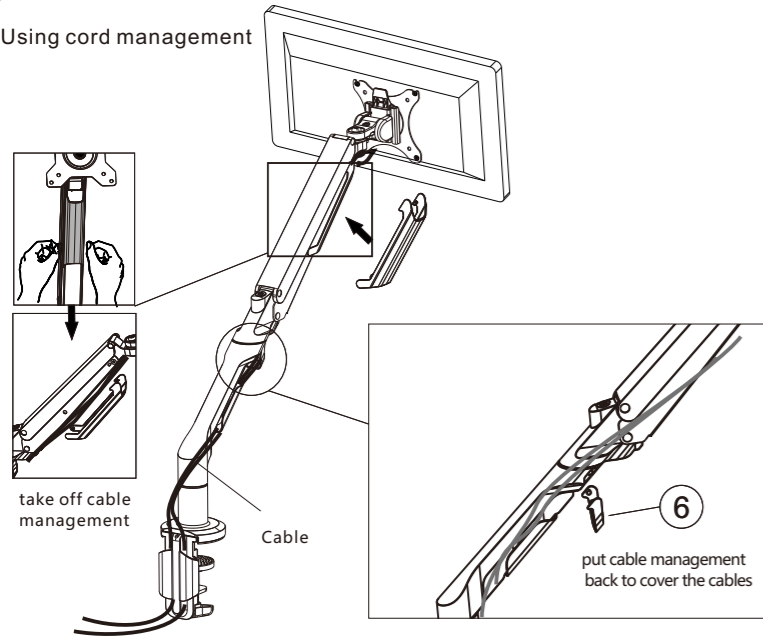
This product was designed to be installed on desk.Before installing, make sure the mount will support the combined load of the equipment and hardware.Never exceed the maximum load capacity 12 KG, or else it may result in product failure or personal injury.

Note:this product is intended for indoor use only.Use of this product outdoors could lead to product failure or personal injury.

Warning: This product contains high pressure gas spring parts, please do not put it into fire, high temperature, or disassemble it, which will lead to unexpected personal injury. The obsolete products can be sent back to the manufacturer or handed over to professional institutions.

To ensure the sealing performance of the gas spring, it is suggested to have complete adjustment to the upper arm (with spring) one time or several times every month.

Using cord management



Specification

