

EXCERPT of the full printed booklet

YAKKA GEAR Operations Manual

V-FRAME FOLDING SCAFFOLD TOWER

www.yakkagear.com.au

Parts List

V-FRAME SCAFFOLD SPECIFICATIONS:

Width: 740mm
Length: 1440mm

Safe Working Load: 225kg
Material: Aluminium

WorkCover NSW approved and registered – AS/NZS 1576



BASE UNIT

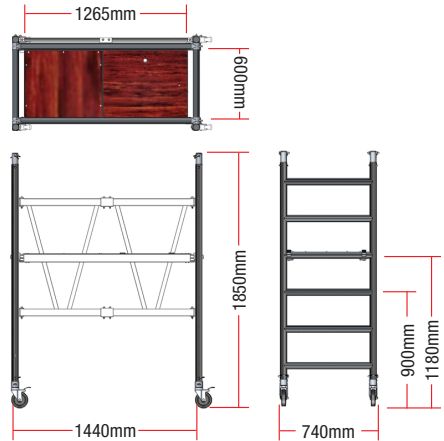
SPECIFICATIONS:

Scaffold Height: 1.8m
Platform or Standing Height: 1.18m
Working Height: 3.25m

BASE UNIT COMPONENTS

- 1 x End V-Frame Folding Section
- 1 x Platform with Hatch
- 1 x Horizontal Brace
- 4 x 5 inch Castor Wheels

Optional Upgrade:
4x Adjustable Castor Wheels



EXTENSION UNIT

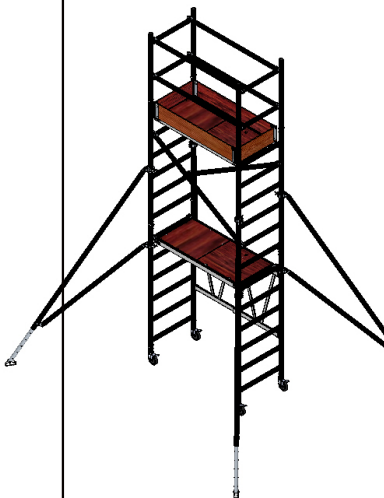
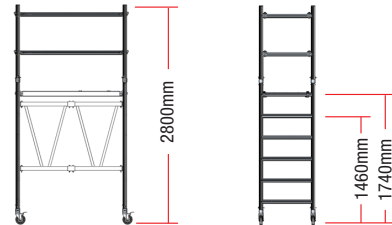
SPECIFICATIONS:

Scaffold Height: 2.8m
Platform or Standing Height: 1.74m
Working Height: 3.8m

BASE UNIT +

EXTENSION UNIT COMPONENTS

- 2 x Guard Rails – 2 Row
- 3 x Horizontal Braces



TOWER UNIT

SPECIFICATIONS:

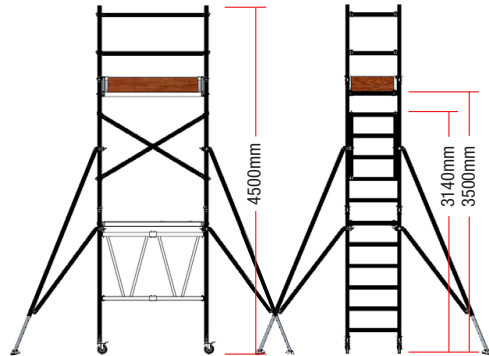
Scaffold Height: 4.5m
Platform or Standing Height: 3.5m
Working Height: 5.5m

BASE UNIT + EXTENSION UNIT +

TOWER UNIT COMPONENTS

- 2 x 6 Row Ladder Frames
- 2 x Diagonal Braces
- 1 x Platform w/Hatch & Ladder
- 2 x Stabilisers 2500mm
- 1 x Toe Board

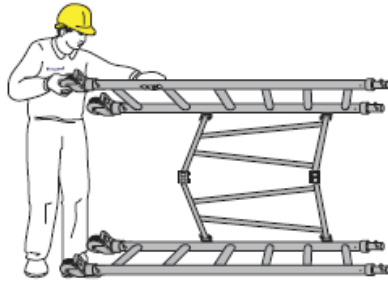
Optional Upgrade:
4x Adjustable Castor Wheels



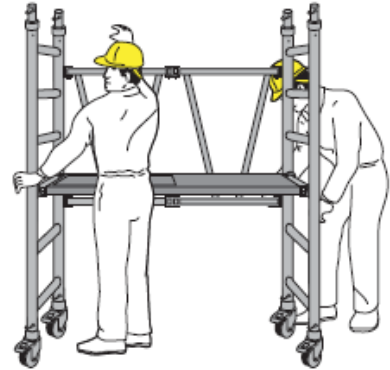
Assembly Manual | V-Frame Folding Scaffold Tower

BASE UNIT

1. Insert the adjustable wheels into the legs of the frame. Lock the wheels with the lock pins, and brakes.

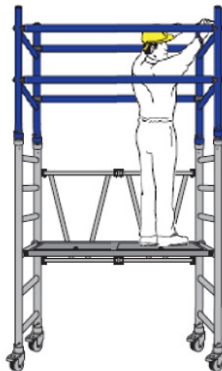


2. Unfold V-Frame, install the platform on the third rung from the bottom. Lock in the Horizontal Brace at the back of the top rungs. Inspect the stability of the structure.

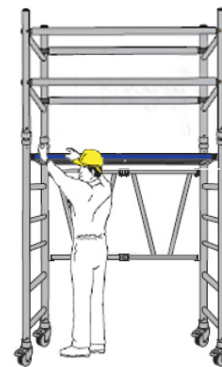


EXTENSION UNIT

1. Erect the guard rails on top of the six rung ladder frames and lock them in. Install the horizontal braces.



2. Move the platform with hatch to the top of the first set ladder frame.

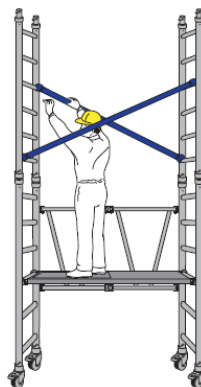


TOWER UNIT

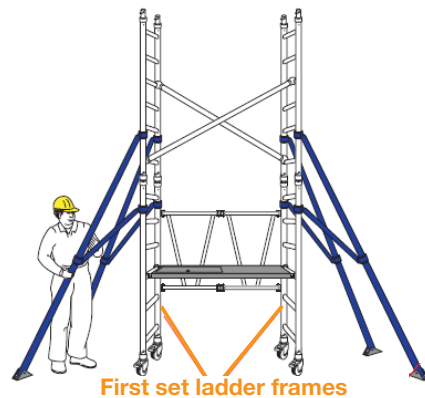
1. Remove the guard rails and horizontal braces. Move the platform back to the third rung. Install the next six rung frame and lock them into the spigot below using the supplied lock pins.

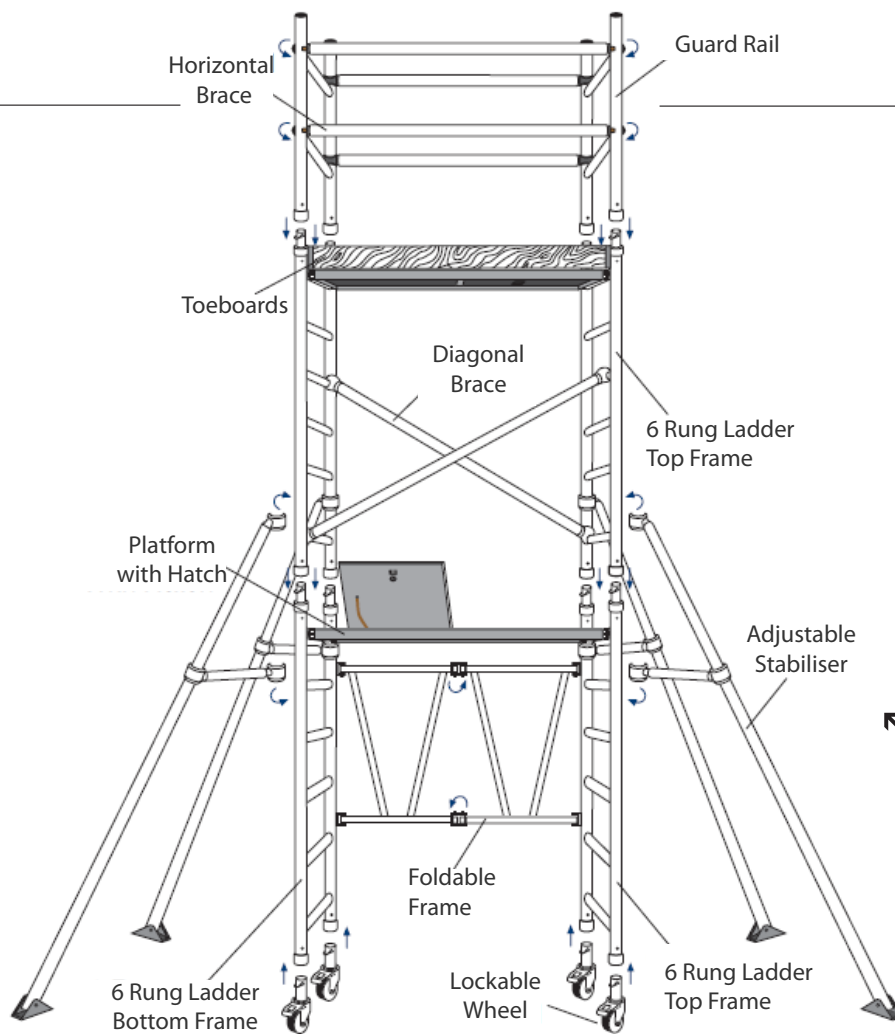


2. Erect the diagonal braces. Clip diagonal braces onto the lowest rung of the second set six rung ladder frames, clip the other ends onto the opposite frame rung. Ensure to lock them entirely.



3. Locate the adjustable stabilisers. Fix the upper end of the stabiliser onto the second set ladder frame, & lower end on to the first set ladder frame.





! IMPORTANT

It is the operator's duty to inspect the components for damage before each use. Avoid contact with acid as this will damage the aluminium beyond repair. In accordance with Australian Standard 1576 the operator requires a scaffold ticket to erect scaffold above 4 metres standing height.

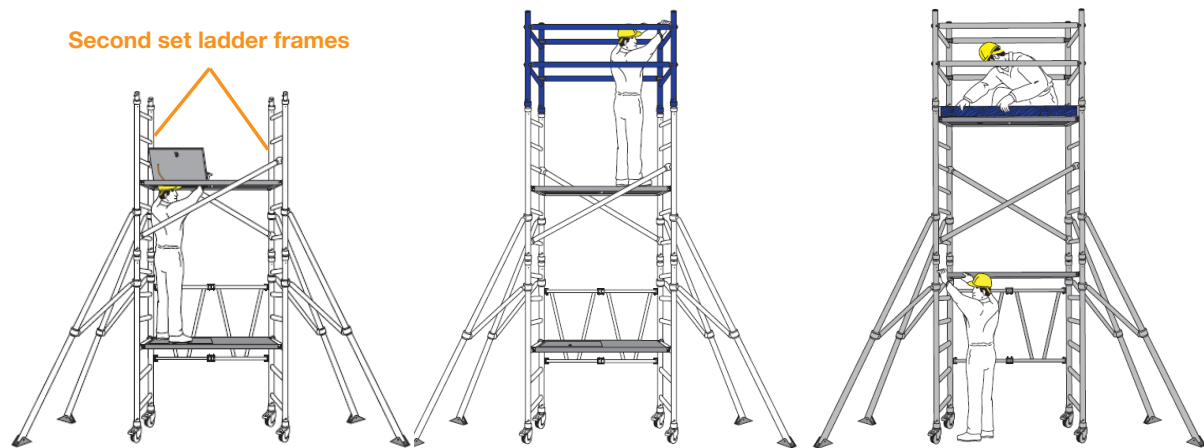
V-Frame Tower Unit Scaffold

Ladder omitted for clarity

4. Repeat Step 2. Add the platform with hatch on the third rung of second set six rung ladder frame & lock it.

5. Erect the guard rails on top of the second six rung ladder frames and lock them in. Install the horizontal braces.

6. Move the platforms with hatch to the top of the first set ladder frame and the second set ladder frame respectively. Fit toe boards to the upper platform.



Configurations | V-Frame Folding Scaffold Tower

BASE HEIGHT SCAFFOLD

CONSISTS OF

1x Base Unit pack CODE:132258

PACK CONTAINS

- 1 x End V-Frame Folding Section
- 1 x Platform with Hatch CODE: 132252
- 1 x Horizontal Brace CODE: 132259
- 1 x 4 pack of 5 inch Castor Wheels CODE: 132253

ADJUSTS UP TO 1.8m HIGH



Fold-up frame for safe, fast and easy set-up

EXTENSION HEIGHT SCAFFOLD

CONSISTS OF

1x Base Unit pack CODE:132258

1x Extension unit pack CODE:133333

PACK CONTAINS

- 2 x Guard Rails - 2 Row CODE: 132260
- 3 x Horizontal Braces CODE: 132259

ADJUSTS UP TO 2.8m HIGH



TOWER HEIGHT SCAFFOLD

CONSISTS OF

1 x Base Unit pack CODE:132258

1 x Extension Unit pack CODE:133333

1 x Tower Unit Pack CODE: SYFTWR

PACK CONTAINS

- 2 x 6 Row Ladder Frames CODE: 132237
- 2 x Diagonal Braces CODE: 132236
- 1 x Toe Board CODE: 132271
- 2 x Stabilisers 2500mm CODE: 132238
- 1 x Platform W/Hatch & Ladder CODE: SYFPHL

ADJUSTS UP TO 4.5m HIGH