

# Installation and User Guide

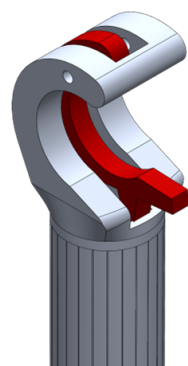
*EXCERPT*

**Aluminium Wide Scaffolding: 2.5m x 1.3m**

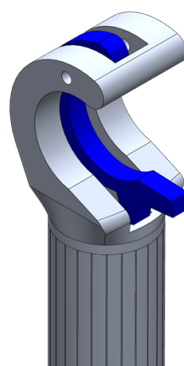
Applies to 2.5m x 1.3m Wide Scaffolding models purchased after 16 May 2024.

## 1. Component introduction

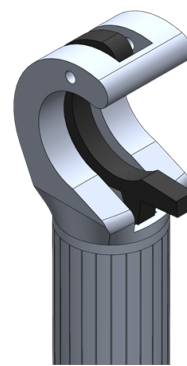
a) **Brace:** Distinguish by color of the hook.



**Diagonal Brace**  
**Red**



**Horizontal Brace**  
**Blue**



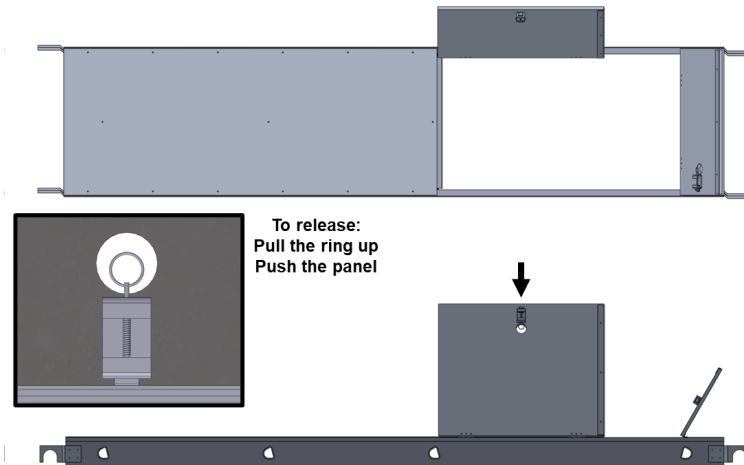
**Bottom Brace**  
**Black**

b) **Toeboard:**

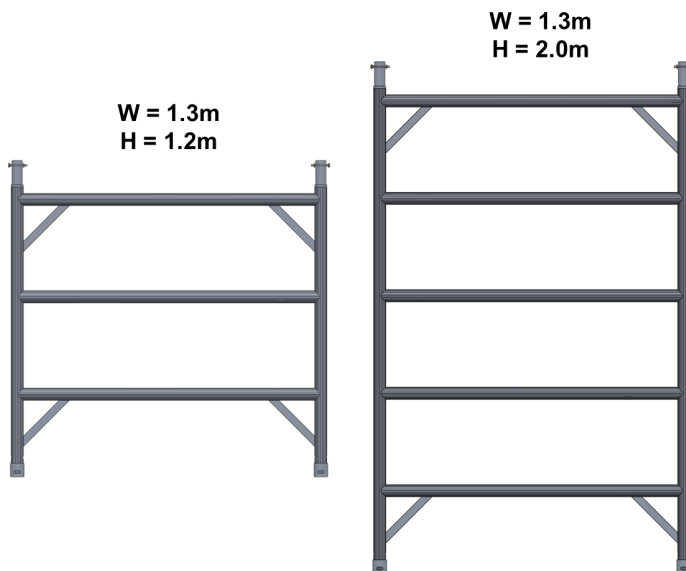


**c) Platform:**

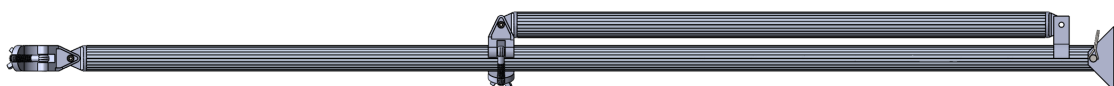
**2.5m Platform**



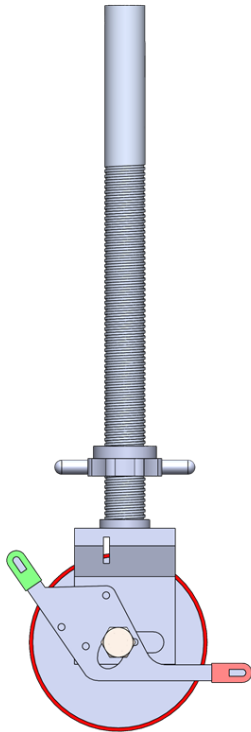
**d) Frame wide:**



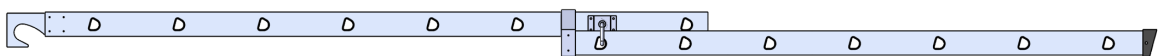
**e) Adjustable Stabilizer**



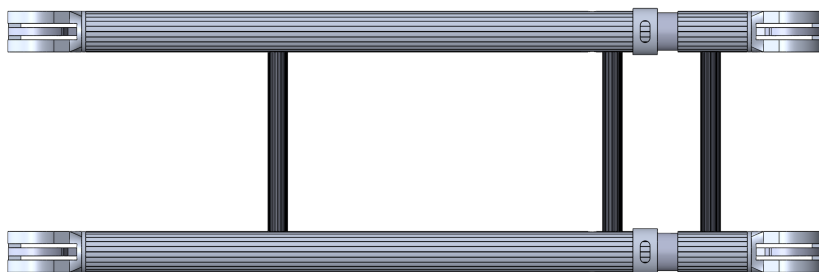
- f) Caster wheel:  
8" Wheel



- g) Ladder:

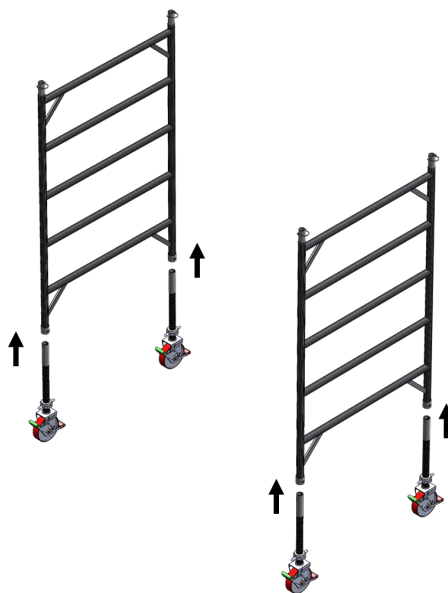


- h) Adjustable Ladder support

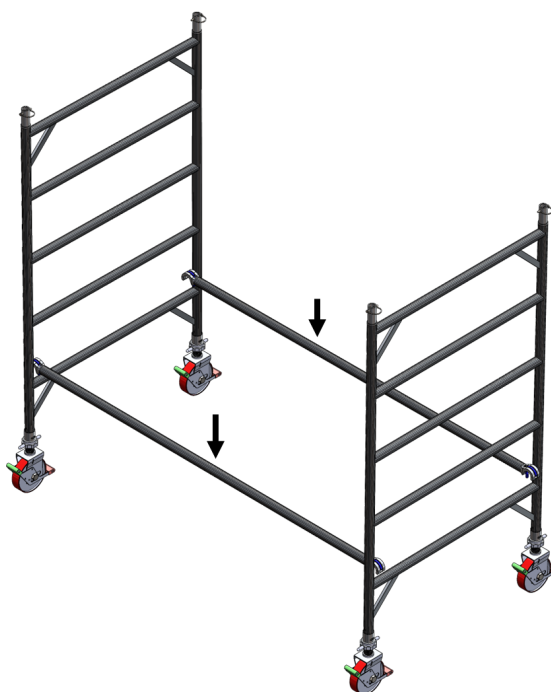


## 2. Installation Process

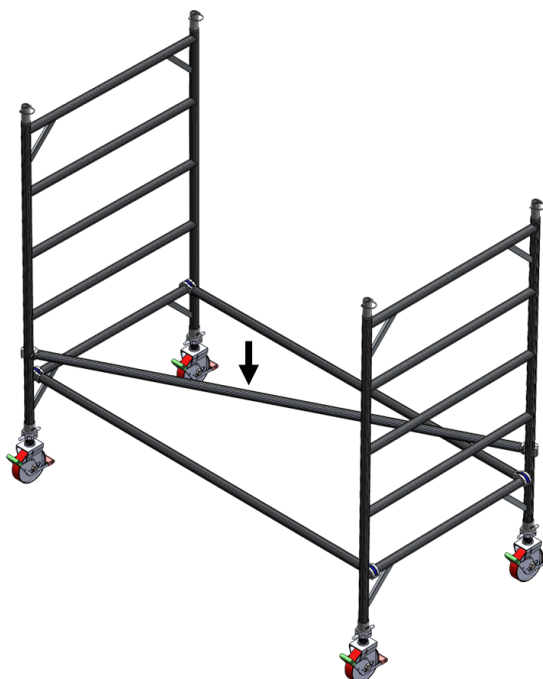
2.1. Make sure the wheel brake is engaged before installation. Inset the **8 inches caster wheels** (4 off) to **2.0m frame** (2 off). Adjust the thread rod nut for desired wheel height.



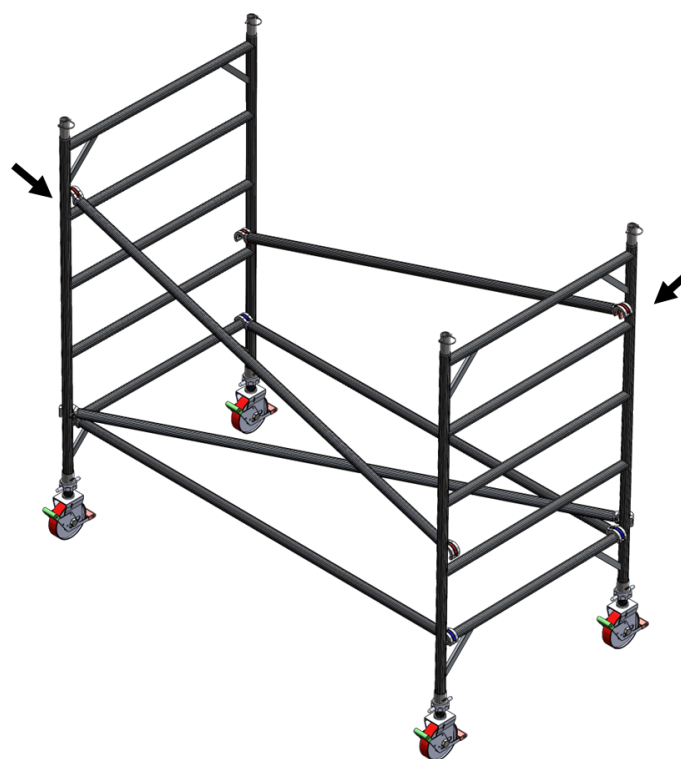
2.2. Install the **Horizontal brace** (Blue) (2 off) to the bottom row of the frame.



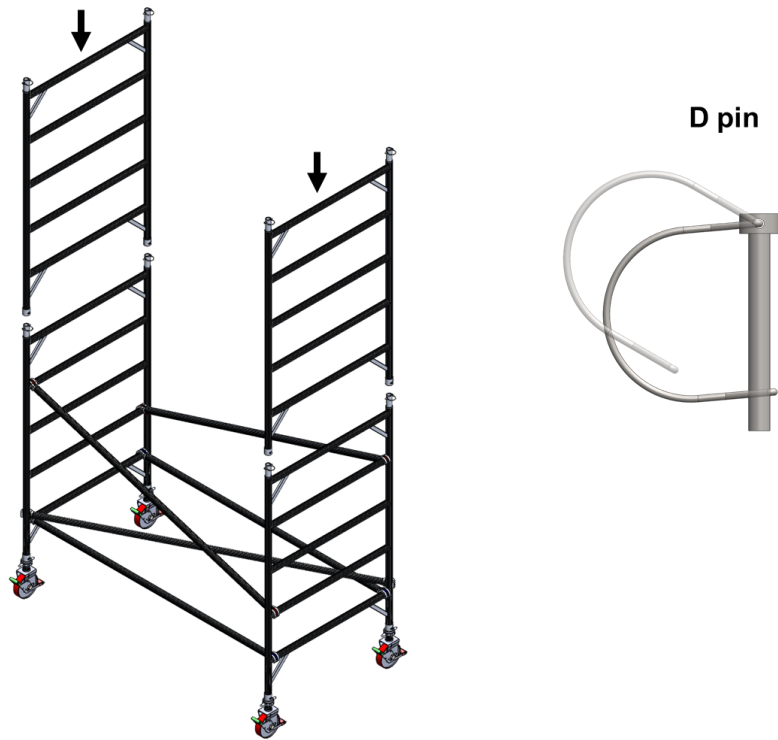
2.3. Attach the **Bottom brace (Black)** (1 off) on top of the horizontal brace.



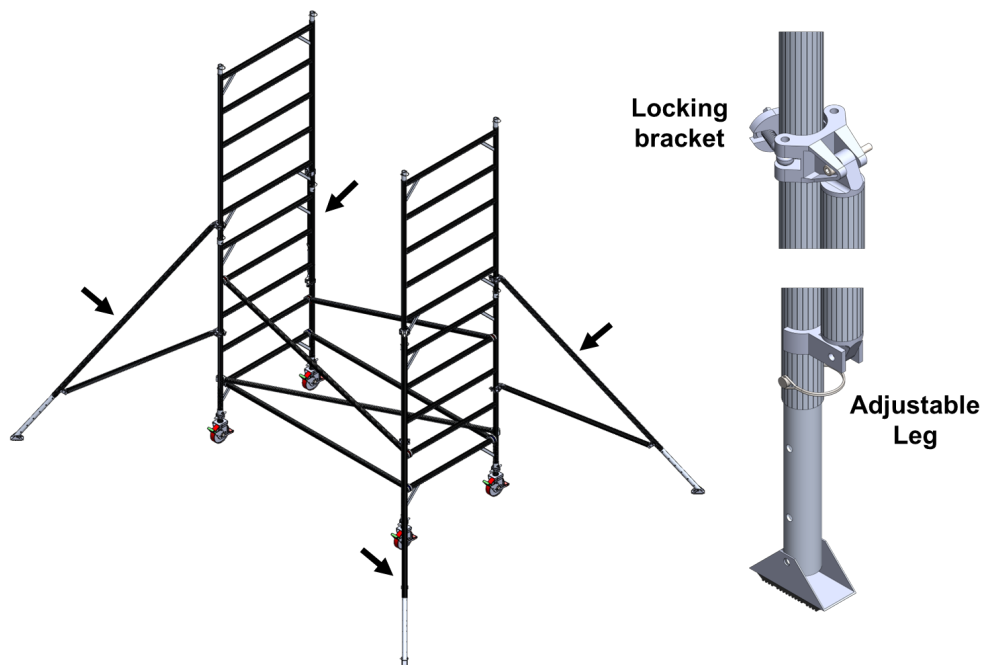
2.4. Install the **Diagonal brace (Red)** (2 off) to each side of the frame. Attach one end to the 4<sup>th</sup> row of the frame, and the other end to the 2<sup>nd</sup> row of the frame. Opposite on the other side.



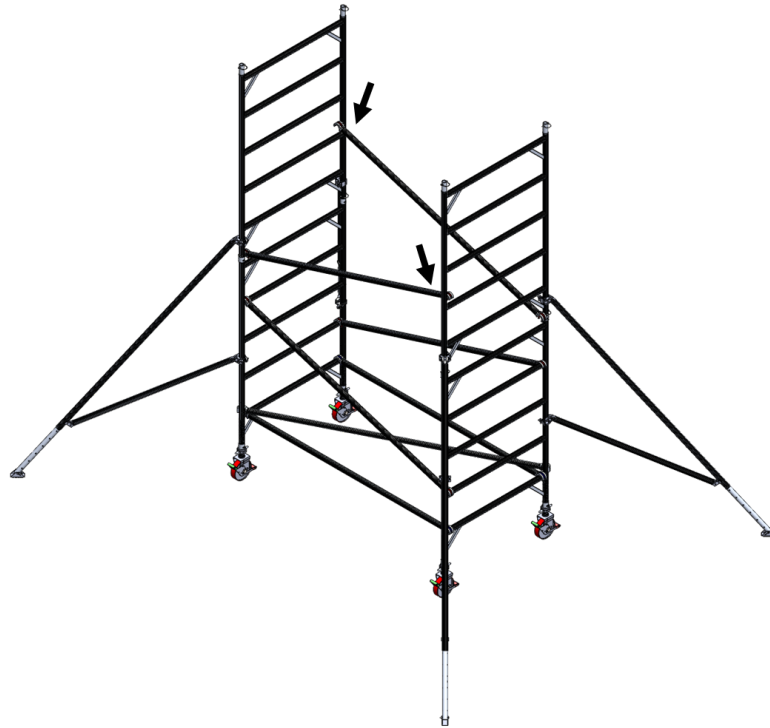
2.5. Insert **2.0m frame** (2 off) on top of the existing frame and lock with D-pin.



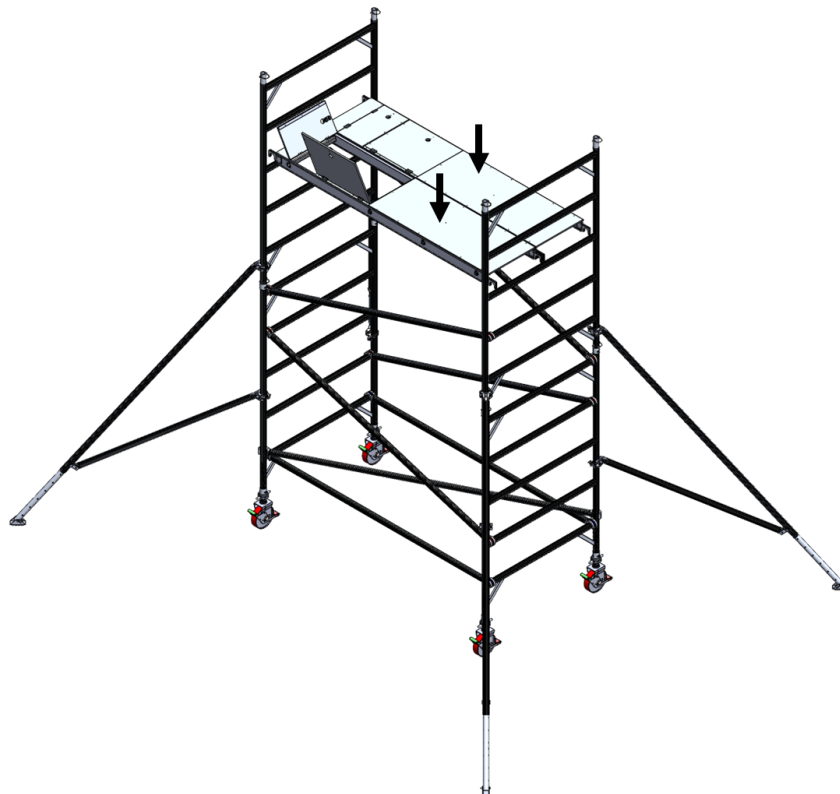
2.6. Attach the **Stabilizer** to the vertical member (between the 5<sup>th</sup> and 6<sup>th</sup> row) of the frame (4 off). Tighten the nut on the Locking bracket to secure the stabilizer to the frame. Adjustable leg for height adjustment.



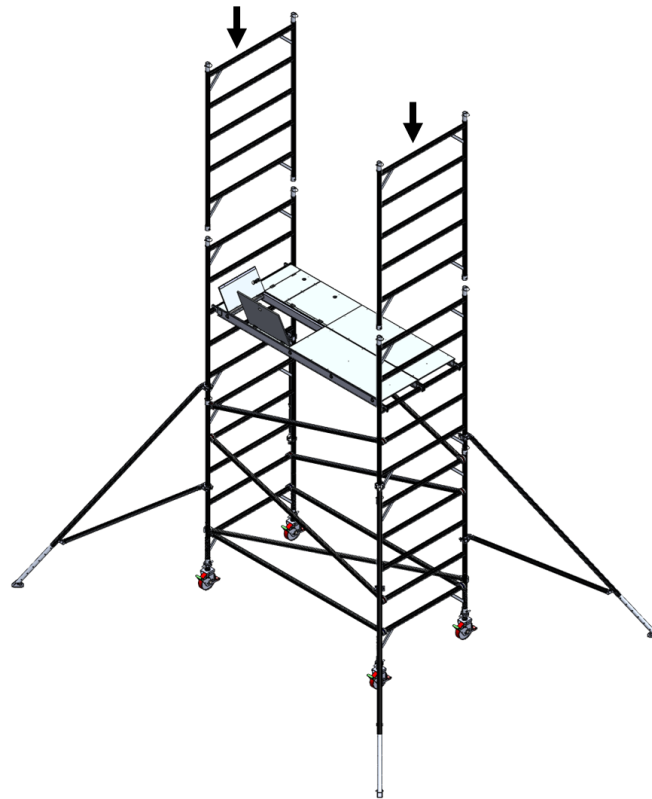
2.7. Install the **Diagonal braces** (Red) (2 off). One end on the 7<sup>th</sup> row, the other on the 5<sup>th</sup> row.



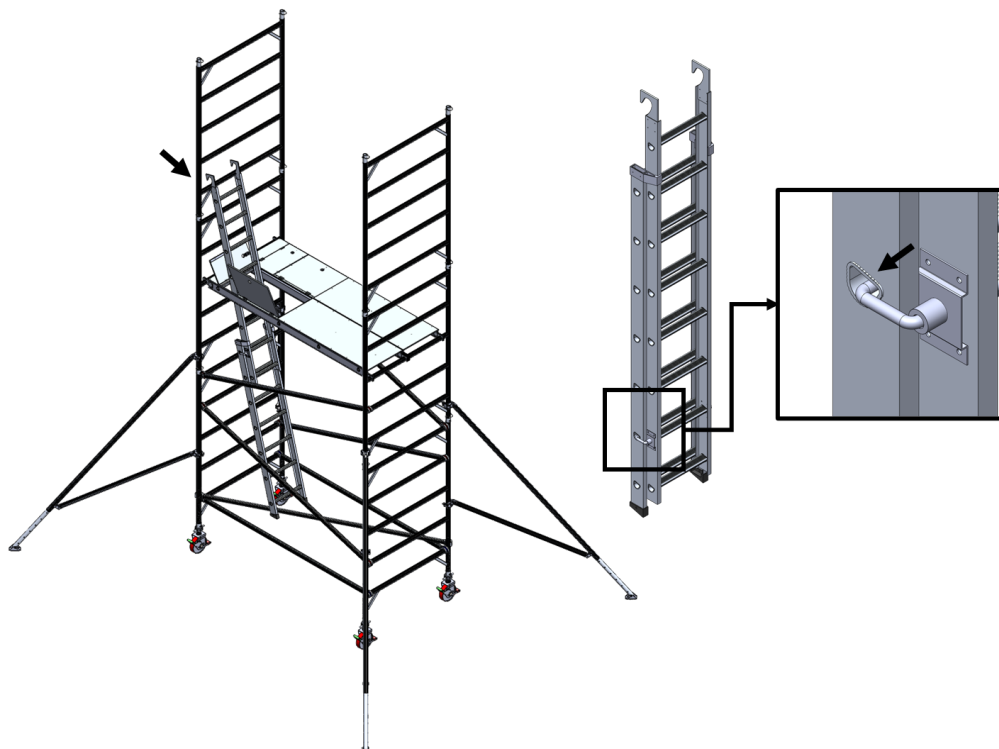
2.8. Install the **2.5m platforms** (2 off) to the 8<sup>th</sup> row.



2.9. Insert the **2.0m frame** (2 off) on the top of the frame.

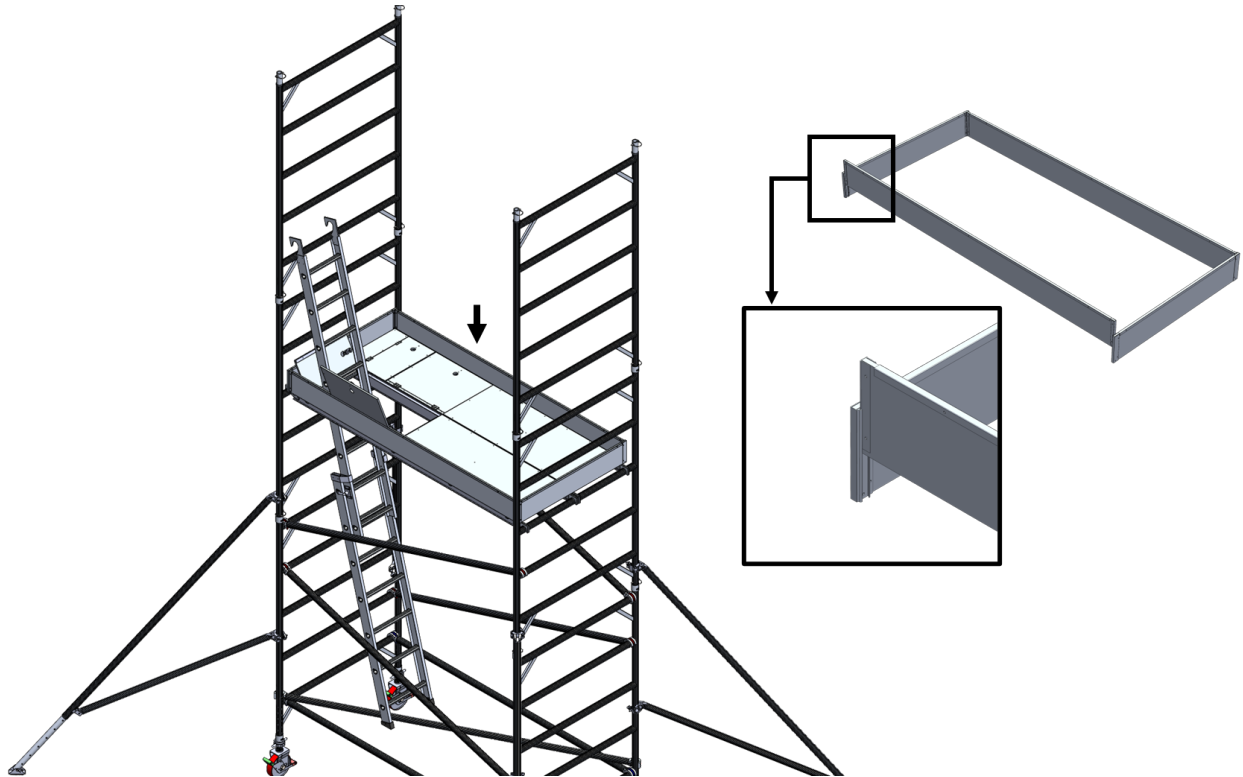


2.10. Installed the **Extendable ladder** (1 off) into one of the openings on the platform. Hook the top on the 11<sup>th</sup> row of the frame. The ladder can be extended by pulling out the handle and slide.

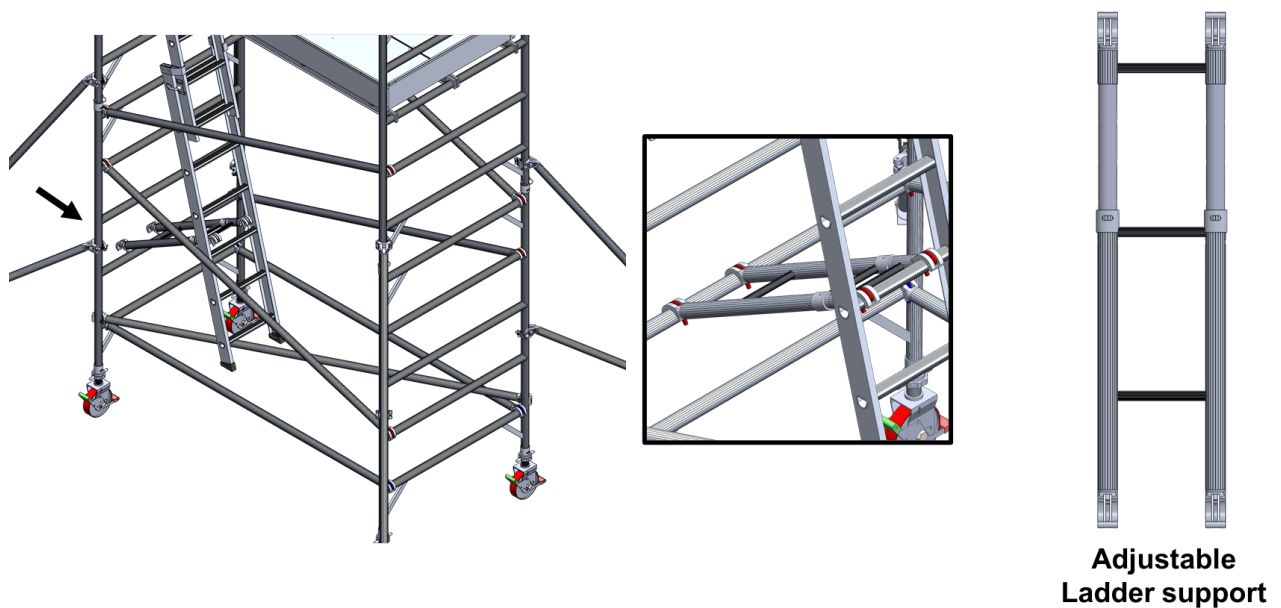




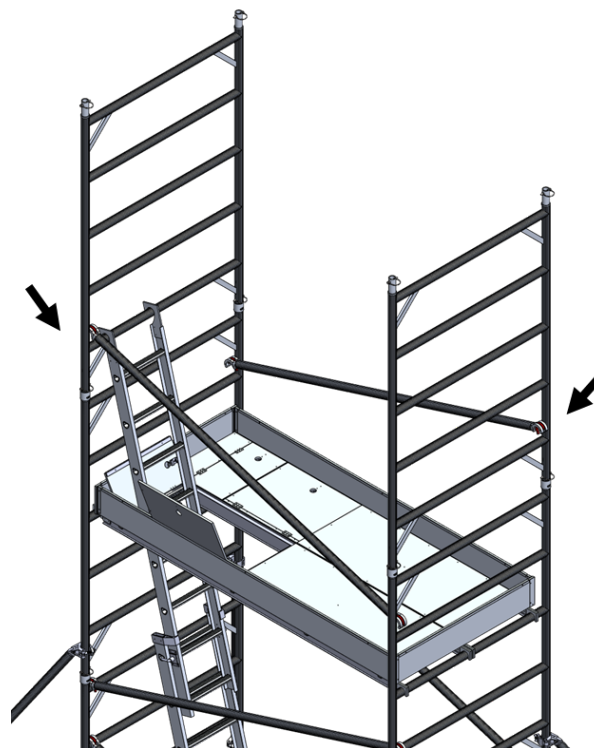
2.11. Installed the **2.5m Toeboard** (1 off) around the platform. The board can be easily slot in place.



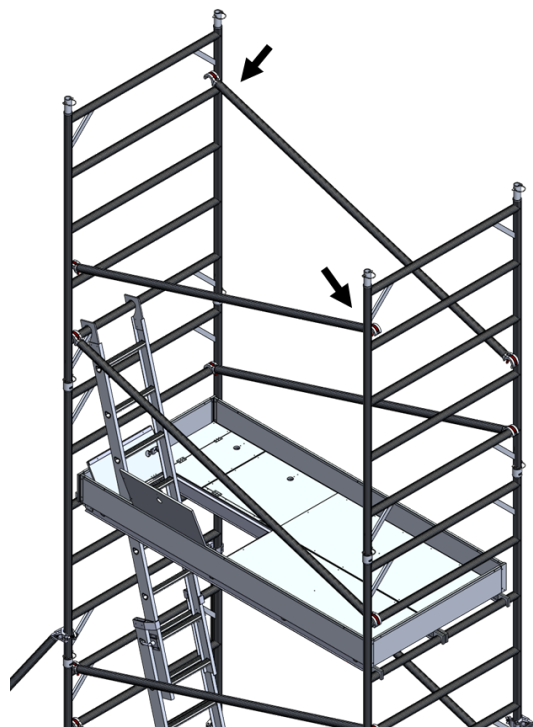
2.12. Attach the **Ladder support** (1 off) with one end on the 2<sup>nd</sup> row, and the other end on the 3<sup>rd</sup> row of the ladder. Ladder support is extendable and can be locked by D-pin.



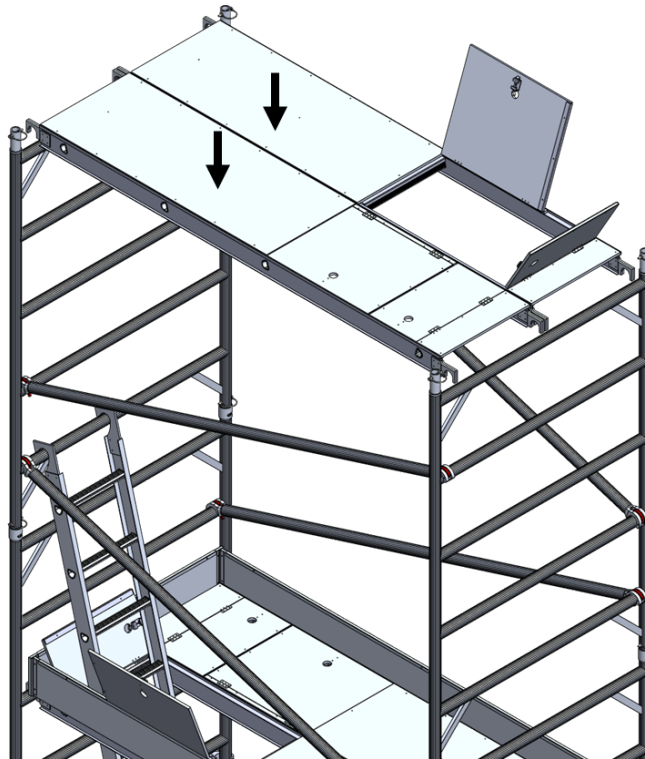
- 2.13. Install additional **Diagonal brace (Red)** (2 off) to the frame, with one end on 9<sup>th</sup> row, and the others on 11<sup>th</sup> row.



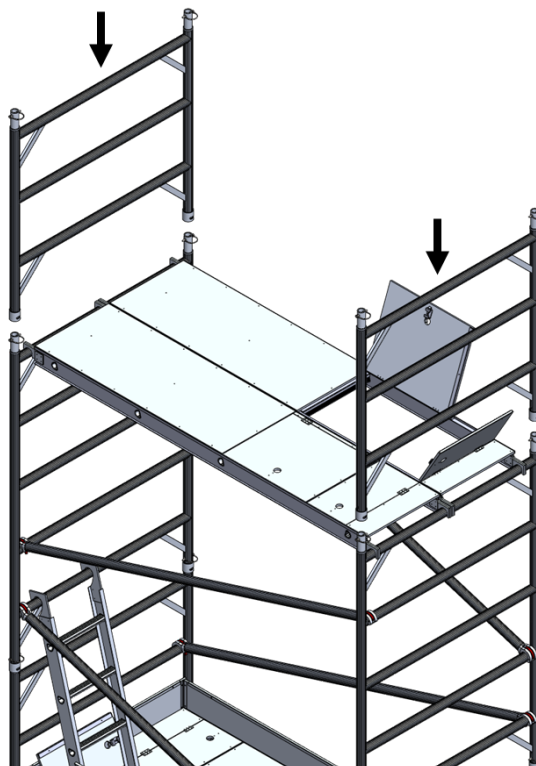
- 2.14. Install additional **Diagonal brace (Red)** (4 off) to the frame, with one end on 12<sup>th</sup> row, and the others on 14<sup>th</sup> row.



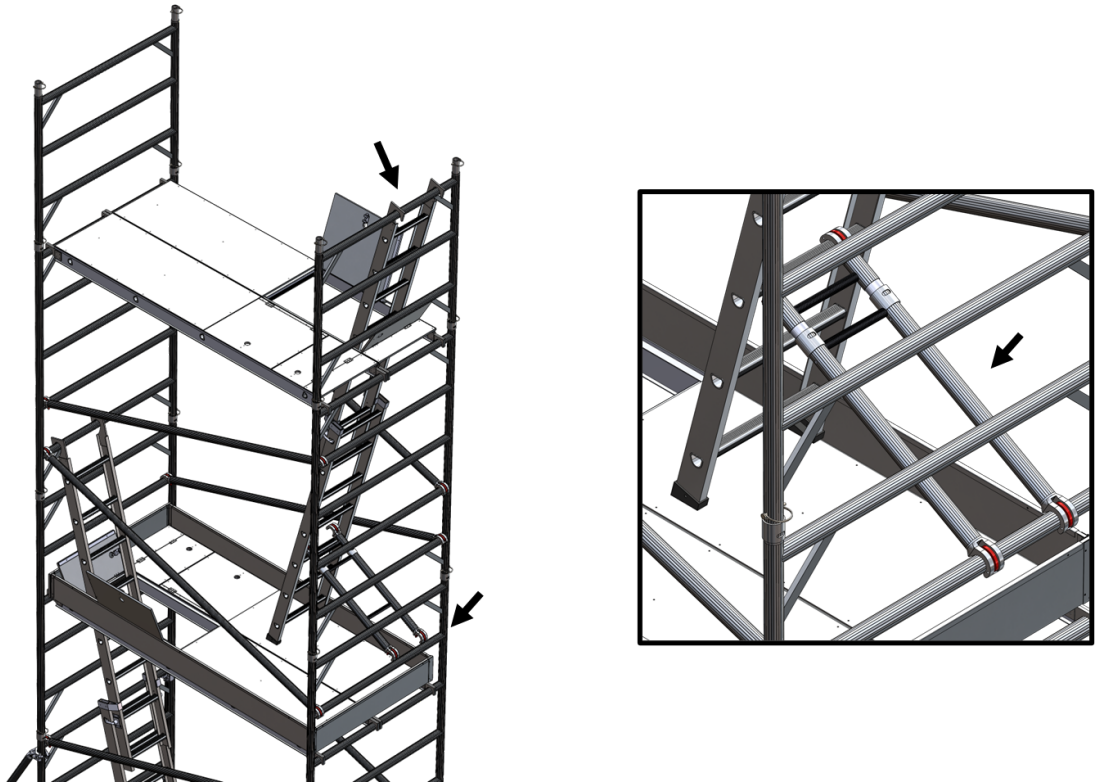
2.15. Install the **2.5m Platform** (2 off) to the 4<sup>th</sup> row from top.



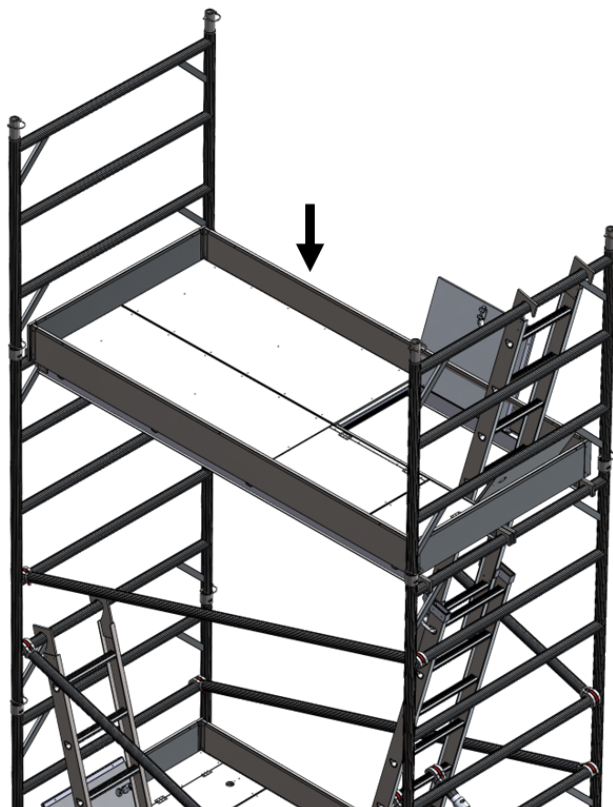
2.16. Add the **1.2m Frame** (2 off) on top.



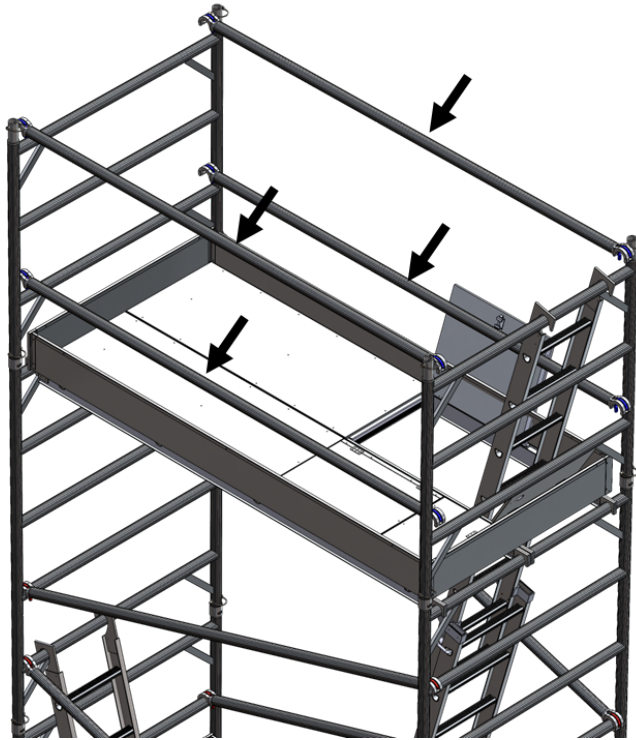
2.17. Attach **Extendable ladder** (1 off) to the top row and **ladder support** to the 9<sup>th</sup> row of the frame.



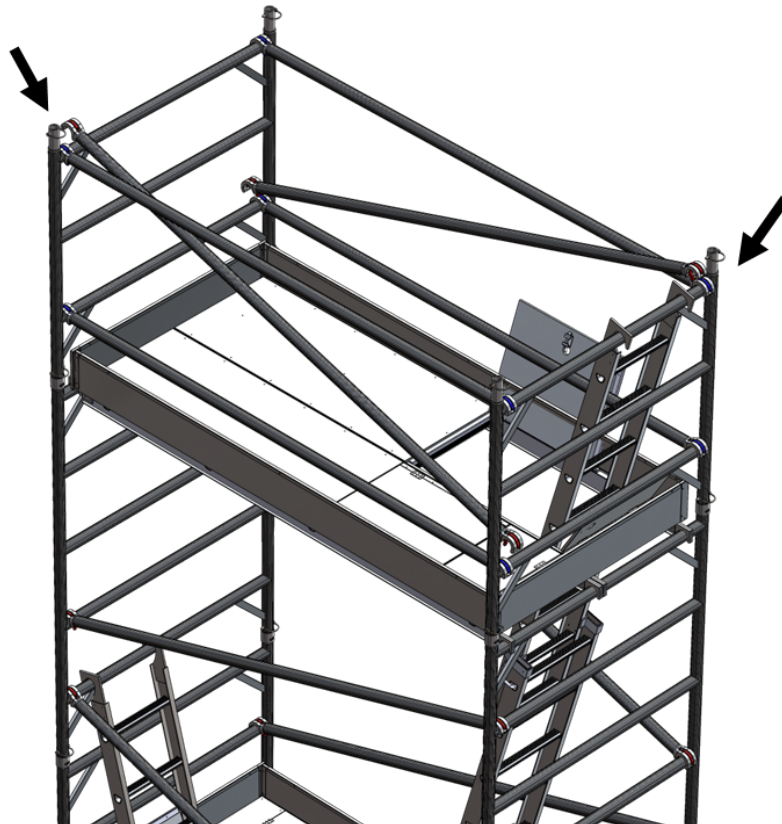
2.18. Install the **2.5m Toeboard** (1 off)



2.19. Install the **Horizontal Brace (Blue)** (4 off) to the top and 3<sup>rd</sup> from top row of the frame.



2.20. Finish by installing the **Diagonal brace (Red)** (2 off) connecting the top and 3<sup>rd</sup> from top row.



**General Safety Rules:**

1. Safety instructions must always be displayed in the scaffolding area and visible to users.
2. Follow the manufacturer's safety rules and assembly instructions before assembling scaffolding.
3. Only authorized and experienced personnel may assemble and use scaffolding. Unauthorized personnel are prohibited from entering the scaffolding area.
4. When using scaffolding, always wear appropriate personal protective equipment, keep the scaffolding clean, and check for damage.
5. When erecting scaffolding, ensure it is stable and level, using support/stabilizing arms if necessary, and maintain a height-to-base ratio of 3:1.

**Specific Operational Guidelines:**

1. Operate according to the manufacturer's guidelines; do not deviate or improvise the assembly of scaffolding.
2. Avoid using scaffolding for unintended purposes or old scaffolding without the original guardrails installed.
3. Do not use ladders to increase height while working on scaffolding.
4. Do not use scaffolding if it is unstable or erected on soft ground; take measures to prevent sinking.
5. Before dismantling scaffolding, clear all loose material from the platform and check that the original supports and ties are in place.

**Risk Identification and Assessment:**

1. Identify serious risks such as scaffolding collapse, electrocution, falls, and falling objects.
2. Carefully read the risk assessment label before use.

**Potential Risk Control Measures:**

1. Only authorized personnel may erect scaffolding, following WorkCover requirements.
2. When moving scaffold towers, maintain a minimum distance of 4.6 meters from high-voltage power lines, ensure brakes are locked, and do not exceed a 7° incline.
3. All working platform layers must have toe boards and guardrails installed, ensuring no gaps or holes.

**Emergency Procedures:**

1. If scaffolding is damaged, immediately contact the person in charge and do not use.
2. In strong winds or other exposed conditions, secure the scaffolding and cease use if wind speeds exceed 60 kilometres per hour.
3. Report any unsafe conditions to the person in charge or supplier.
4. Avoid using damaged or incorrect parts and be cautious when using drills or power tools.

**PLEASE ALWAYS ADHERE TO THESE SAFETY INSTRUCTIONS TO ENSURE YOUR AND YOUR COLLEAGUES' SAFETY. IF YOU HAVE ANY QUESTIONS OR ENCOUNTER UNSAFE CONDITIONS, IMMEDIATELY CONTACT THE PERSON IN CHARGE OR AN EXPERT.**