



## FEATURES

- 1 INDEPENDENT ROLL, PITCH AND YAW**  
For quick and precise projector registration.
- 2 QUICK CONNECT/DISCONNECT**  
Convenient lamp and filter access on most projectors. Disconnecting maintains registration and doesn't affect pre-set adjustments.
- 3 ALL-POINTS™ SECURITY**  
Exclusive steel-into-steel locking hardware at all connection points to protect against theft.
- 4 MULTIPLE INSTALLATION OPTIONS**  
Mounting options include: flush mount to ceiling, use 1/4" (6.35 mm) threaded rods or use a 1-1/2" NPT threaded extension column.
- 5 CABLE MANAGEMENT**  
Route cables through top of mount without additional accessories.



## SPECIFICATIONS

Roll	+/-4°
Pitch	+/-25°
Yaw	360°
Dimensions* (HxWxD)	1.75" x 6.5" x 5.5" (44 x 165 x 140 mm)
Color, Custom	Black
Color, Universal	Black, Silver, White
Weight Capacity	50 lbs (22.7 kg)

\* Dimensions don't include interface bracket

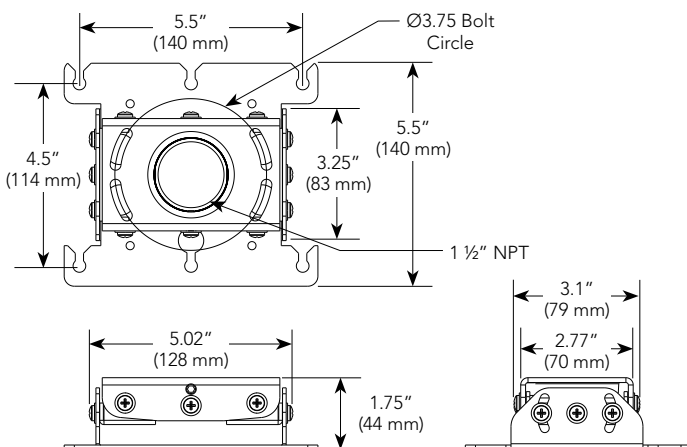
## WHAT YOU NEED TO KNOW

### ABOUT RPA™

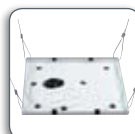
- Industry-leading RPA Series with independent roll, pitch and yaw
- Compatible with a wide array of accessories
- Ships fully-assembled with everything you need for installation in one box
- Available in Custom (black) or Universal (black, silver, white)



## TECHNICAL DRAWINGS



## RECOMMENDED ACCESSORIES



**CMS SUSPENDED CEILING KITS**



**CMS EXTENSION COLUMNS**



**PG2A** ■ Security Cage

For a complete list of projector mount accessories see page 13.