

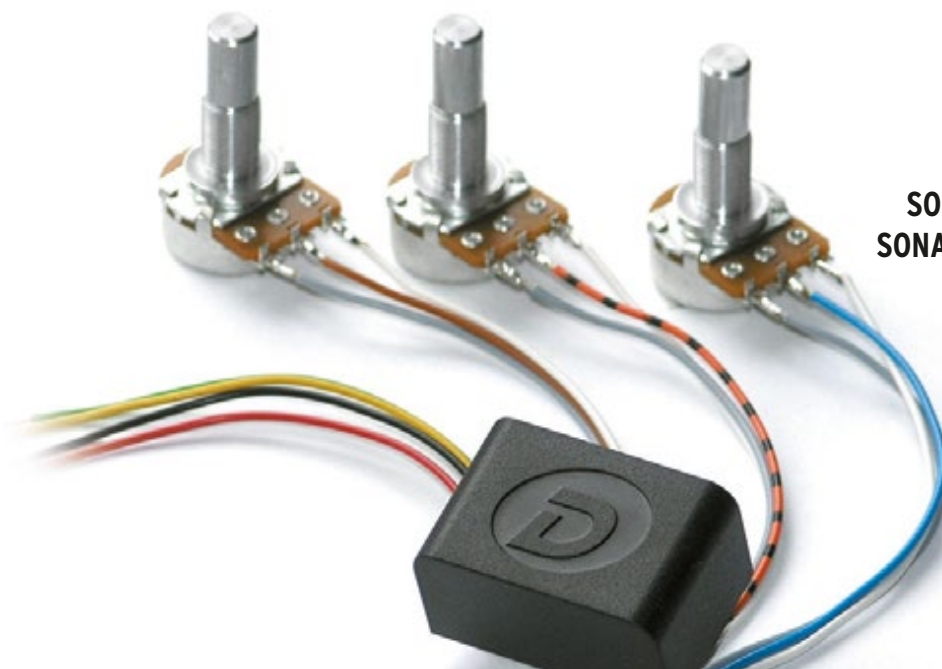
## DELANO **SONAR** SERIES

Scaling new heights in perfecting the tonal capabilities of magnetic pickups, the DELANO Sonar bass preamp series is designed for just one purpose:  
Making a good tone even better.

As an integral part of any active bass guitar, an active EQ has to fulfill countless requirements regarding strength and clarity in tone, power consumption and installation. To meet this challenge perfectly, we engineered the onboard preamp: Sonar.

This smart powerhouse delivers the real thing: rocksteady bottom, cutting midrange and naturally brilliant high end. Whether adapting its tone to match the surrounding acoustics, enhancing versatility or increasing your musical expression, this preamp always feels like a natural extension, preserving all the benefits of passive operation: uncoloured, true and focused sound. Comparing the flat-set sound to bypassed full passive action you'll detect no difference. Matchless. And with its perfectly matched band-pass filters and separated amplifier stages, adjustments stay predictable at any time without overpowering tone.

The Delano Sonar onboard preamp is housed in a sealed slim-box, which provides easy, space-saving installation and secure insulation to other electrical components. Its minimal power consumption lets you forget where your battery-box is - make a guess?

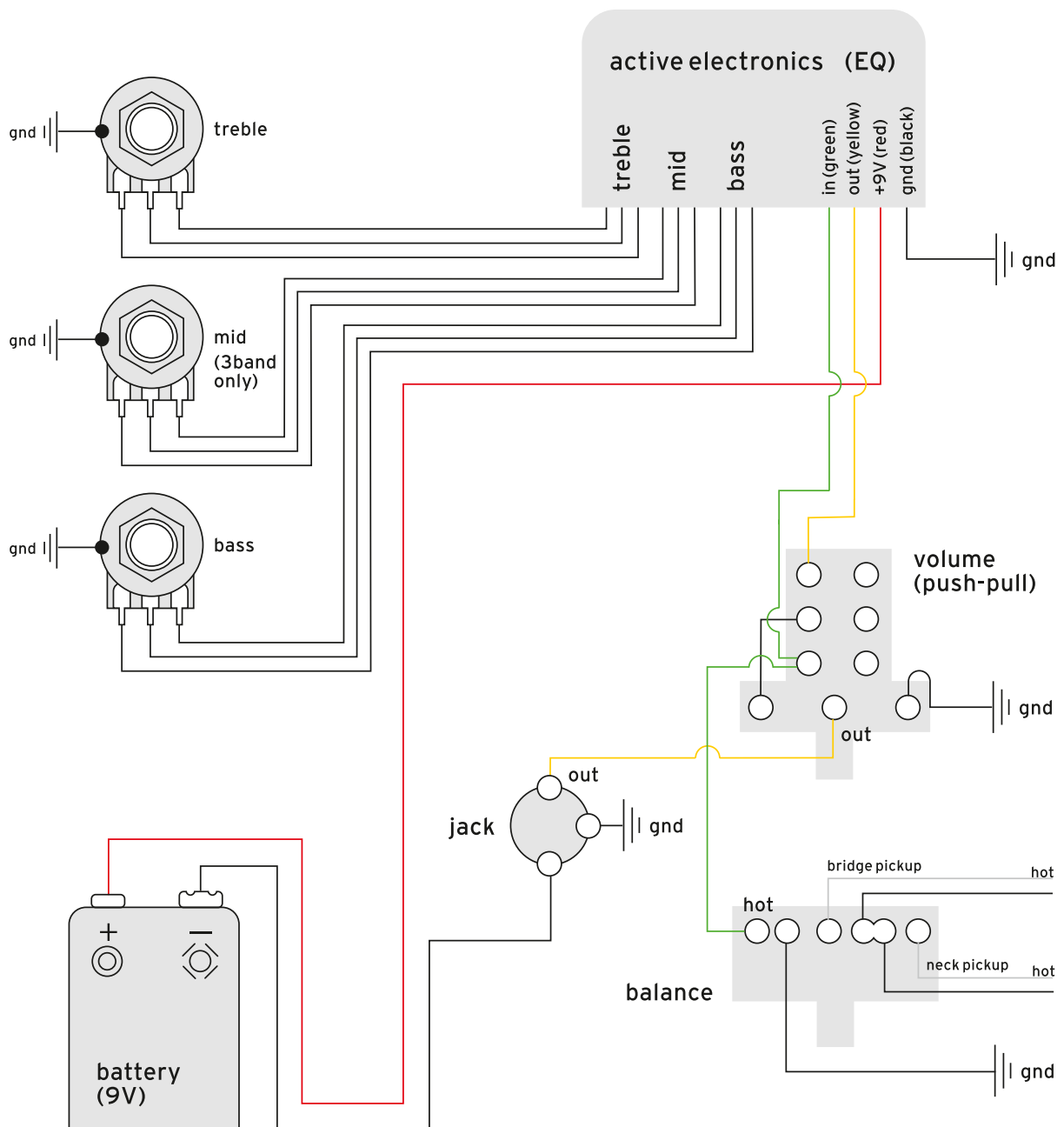


Availability:  
**SONAR 2 / 2-Band**  
**SONAR 3 / 3-Band**  
**SONAR 3 MS / 3-Band**  
**SONAR 3 MS/E / 3-Band**

## Active electronics wiring

For SONAR 2 & 3 band EQ

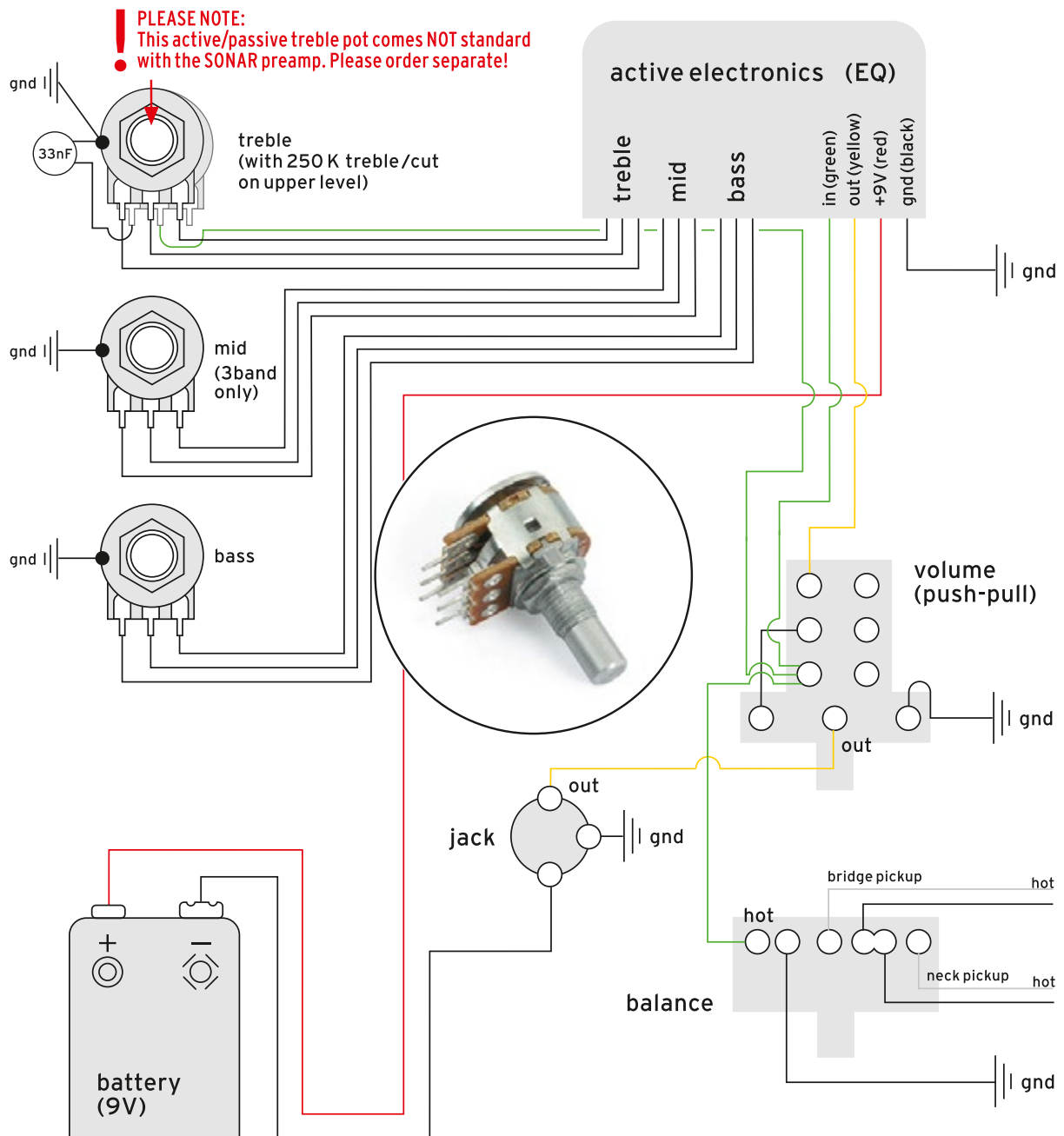
We recommend a proper grounding and shielding of the electronics compartment with DELANO copper foil



## Active electronics wiring

For SONAR 2 & 3 band EQ with passive treble/cut

We recommend a proper grounding and shielding of the electronics compartment with DELANO copper foil



## Active electronics wiring

For SONAR 2 & 3 band EQ with 2 x volume

We recommend a proper grounding and shielding of the electronics compartment with DELANO copper foil

