

4-conductor cable wiring

For DELANO 4-conductor wired pickups

The colors of DELANO wires are white, green, brown, yellow, ground (gnd)
(These diagrams do NOT provide „TheHybrid“ pickup installation)

series / single coil*

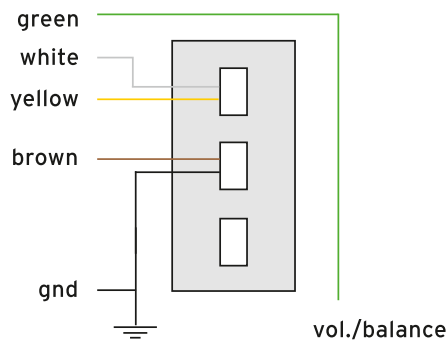
mini toggle switch (on/on)

series:

green = hot out
brown = gnd
white, yellow (connect)

single coil:

green = hot out
white, brown, yellow = gnd



*) This diagram causes **series (cross coils in series)** switching with **SBC HE/S-4 type pickups**.

series / single coil / parallel*

mini toggle switch (on/on/on)

series:

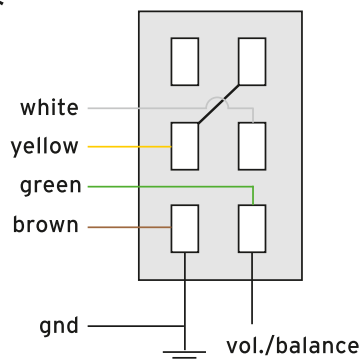
green = hot out
brown = gnd
white, yellow (connect)

single coil:

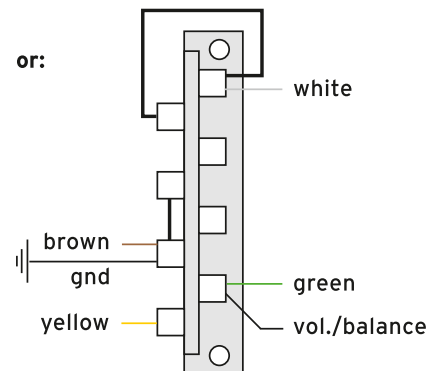
green = hot out
white, brown, yellow = gnd

parallel:

white, green = hot out
brown, yellow = gnd



or:



*) This diagram causes **series (cross coils in series)/parallel** switching with **SBC HE/S-4 type pickups**.

4-conductor cable wiring

For DELANO 4-conductor wired pickups

The colors of DELANO wires are white, green, brown, yellow, ground (gnd)
(These diagrams do NOT provide „TheHybrid“ pickup installation)

single coil (rear coil) / series / single coil (front coil)*

mini toggle switch (on/on/on)

single coil (front):

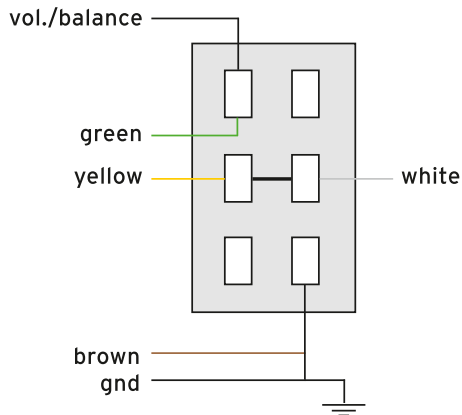
white = hot out
brown = gnd
green, yellow (connect)

single coil (rear):

green = hot out
white, brown, yellow = gnd

series:

green = hot out
brown = gnd
white, yellow (connect)



*) This diagram causes **series (cross coils in series)/series/reversed (cross coils in series)** switching with **SBC HE/S-4** type pickups.

single coil (rear coil) / parallel / single coil (front coil)*

mini toggle switch (on/on/on)

single coil (front):

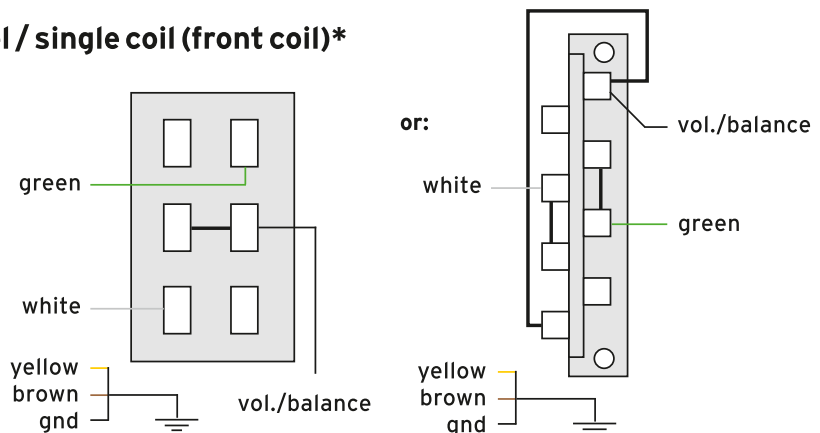
white = hot out
green, brown, yellow = gnd

single coil (rear):

green = hot out
white, brown, yellow = gnd

parallel:

white, green = hot out
brown, yellow = gnd



*) This diagram causes **series (cross coils in series)/series/reversed (cross coils in series)** switching with **SBC HE/S-4** type pickups.

4-conductor cable wiring

For DELANO 4-conductor wired pickups

The colors of DELANO wires are white, green, brown, yellow, ground (gnd)
(These diagrams do NOT provide „TheHybrid“ pickup installation)

series / single coil*

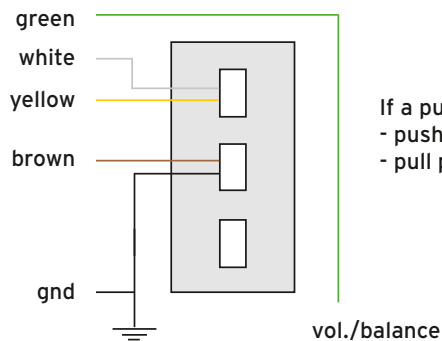
mini toggle switch (on/on)
or:
push-pull pot., single-side (on/on)

series:

green = hot out
brown = gnd
white, yellow (connect)

single coil:

green = hot out
white, brown, yellow = gnd



If a push-pull potentiometer is in use
- push position is: in series
- pull position is: single coil

*) This diagram causes **series (cross coils in series)** switching with **SBC HE/S-4 type pickups**.

series / parallel*

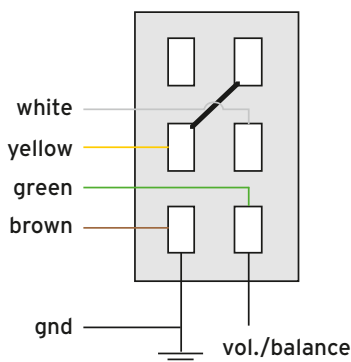
mini toggle switch (on/on)
or:
push-pull pot. (on/on)

series:

green = hot out
brown = gnd
white, yellow (connect)

parallel:

white, green = hot out
brown, yellow = gnd



If a push-pull potentiometer is in use
- push position is: parallel
- pull position is: in series

*) This diagram causes **series (cross coils in series)** switching with **SBC HE/S-4 type pickups**.