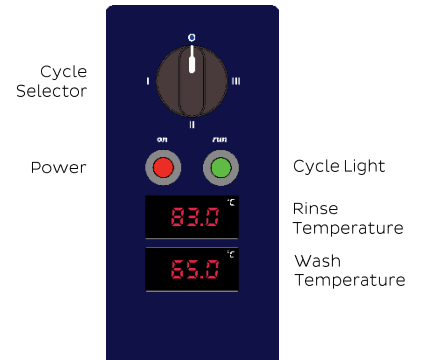


XL

START

- Ensure the Upstand (2), wash pump filter (3), and Scrap Trays (1) are in place and shut the hood
- Turn wall power switch on and select any cycle (I, II, III)
- Power light glows red and machine fills automatically



OPERATION

- Selected required cycle of 40 (I) , 60 (II), or 90 (3) seconds
- Load rack into machine and shut hood
- Cycle Light glows green while machine operates
- When the Cycle light goes out, the cycle is complete.

NOTE: The machine may be started once the Wash Light glows amber and the Rinse Ready light is off, however it will continue to wash until the rinse water has been heated to 83°C

SHUT DOWN - EVERY NIGHT

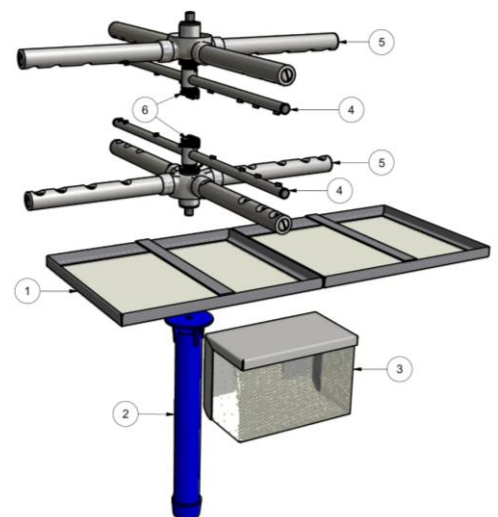
- Turn Selector Switch to 0 and wall power switch off
- Remove Scrap Tray (1)
- Remove Drain Upstand (2) to drain wash tank
- Remove and rinse wash pump filter (3) and scrap trays (1) before replacing back in machine along with upstand (2)

CLEANING – AT LEAST ONCE A WEEK

Remove, rinse and replace:

Scrap Trays	1
Upstand	2
Wash Pump Filter	3
Rinse Arms	4
Wash Arms	5
Thumbscrews	6

Inspect and clear all jets in the wash/rinse arm



SUGGESTED BEST PRACTICE

- | | |
|-----------|--|
| Pre-rinse | Scrape and/or rinse plates & glasses in cool water |
| Chemical | Use good quality non foaming commercial detergent and drying agent
Do not use domestic detergent which will cause the machine to foam |