

## Starline XP

Passthrough Dishwasher – 500mm rack  
**W 730mm x D 720mm x H 1530mm**

The Starline XP is a versatile, simple-to-use and easy-to-maintain passthrough dishwasher. With one of the industry's lowest water consumption rates, powerful 1HP wash pump, and rapid rinse heating the XP is highly productive, economical to operate and light on the environment.

The XP features Washtech Hybrid controls which combine IP65 stainless switches and tried-and-tested switchgear with a customisable electronic timer. In addition it is equipped with a heavy duty stainless steel wash manifold and scrap trays, and is supplied suitable for connection to either single or three phase power supplies.

Since 1981 Washtech dishwashers have been constructed in New Zealand from heavy-duty stainless steel, and are engineered specifically for New Zealand conditions and regulations. Backed by the most extensive service network and spare parts inventory in the region, your XP will not let you down.

### Standard Features

- 60, 120 and 180 second cycles – autostart upon hood closure
- Capacity of up to 1,500 glasses / 1,080 plates per hour
- Low hot water consumption of 2.2 litres per cycle
- Sanitising rinse of >82°C
- Heavy-duty stainless steel construction and wash manifold
- Heavy-duty stainless steel double filtration system with dual scrap trays and separate wash inlet filter
- Washtech Hybrid controls
- Quick connection including:
  - Water supply hose
  - Detergent and rinse aid pumps with injector lines
  - Drain pump with outlet hose
  - 15 amp plugset
- Self-cleaning cycle

### Includes:

- 1 x 500mm dish rack (600 70028)
- 1 x 500mm cup rack (600 70029)
- 1 x cutlery container (C660503)



## Starline XP

washtech.co.nz

### Washtech Limited

PO Box 90-548  
Auckland 1142

414 Rosebank Road  
Avondale  
Auckland 1026  
NEW ZEALAND

(09) 829 0930  
info@washtech.co.nz

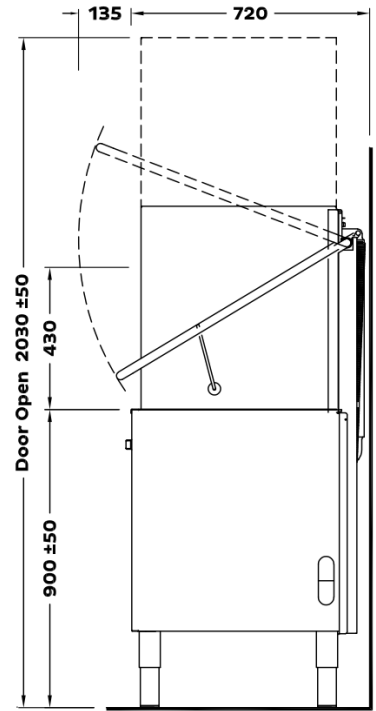
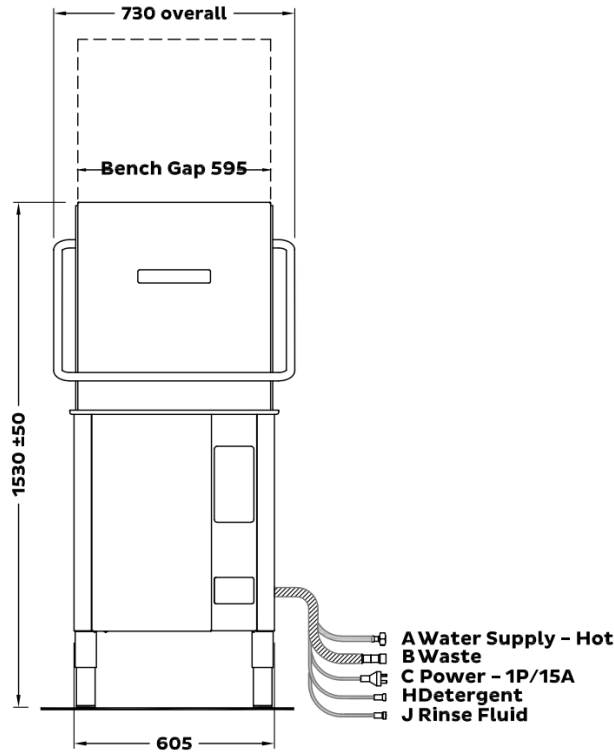
service@washtech.co.nz

For 24/7 service and support:  
**0800 WASHTECH**

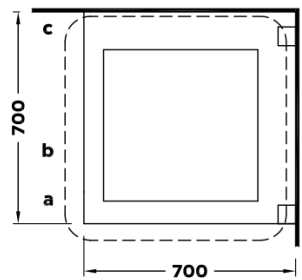
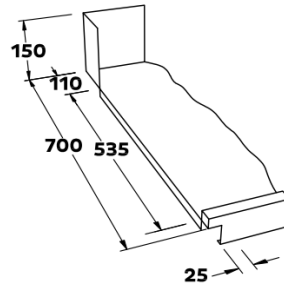
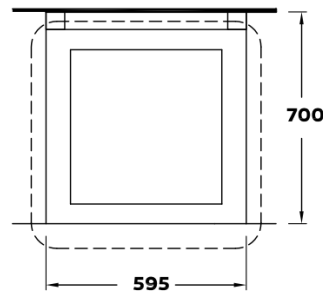
Washtech provides full service and support 24 hours a day, 7 days a week, with a comprehensive nationwide network of authorised service providers.

In line with policy to continually develop and improve its products, Washtech reserves the right to change specifications and design without notice.

© 2020 Washtech Limited  
Version: SXP0030 2007



### Bench detail



### A - Hot Water

Temperature 65°C  
Connection 3/4" male; hose supplied  
Pressure 200-350kPa  
Flow 20 litres per min  
Quality Potable - refer table  
Backflow Prevention AVB  
Consumption 2.2 litres per cycle\*

### B - Waste - Pumped Drain

Connection 20mm male; drain pump outlet hose supplied (up to 25mm connection)  
Outlet Temp No greater than wash water temp (default = 60°C to 65°C)

C - Electrical	V	Hz	A/phase	Max kW
Single Phase	240	50	15	3.75
Three Phase	415	50	15	9.00

### Corner Installation Notes

- Machine must face left for easy access to controls
- Allow 300 clearance to front for service access
- Splashback return must be no higher than 150

Isolating switch must be within 1m of, and not directly behind the machine.

### Dimensions

	Machine	Packed
Width (mm)	730	760
Depth (mm)	720	830
Height (mm)	1530	1450
Weight (kg)	94	125
Volume (m <sup>3</sup> )		0.91

### Water Quality

	Min	Max
pH	7	8
Hardness (ppm)	20	100
Cl <sup>-</sup>		100
SO <sub>4</sub>		400
Fe		0.1
Mn		0.5
Cu		0.05
Cl <sub>2</sub>		0.1

\* Water consumption rates may vary based on site conditions.

Refer to operator manual for installation instructions.