

Starline GM

Professional Undercounter Glasswasher/Dishwasher – 435/450mm rack
W 505mm x D 555mm x H 860mm

The Starline GM is a compact, versatile and highly efficient glasswasher combines the latest technology with heavy duty stainless steel construction and components. With economical water consumption rates and powerful rinse heating, the GM provides excellent wash results while being light on operating costs and the environment.

The GM's intuitive electronic controls provide Soft Start, EcoPower, cycle customisation, chemical adjustability and immediate fault diagnosis. Compatible with a wide range of racks (from standard glassracks up to the higher capacity 450mm) the GM is capable of washing up to 960 glasses or 840 plates per hour and is the perfect machine for busy bars and office kitchens. Equipped with break tank, up-rateable rinse elements for rapid recovery when running on cold water, and rinse pump the new GM is designed to operate efficiently on cold RO water as part of an efficient polish free glasswashing solution.

Since 1981 Washtech dishwashers have been constructed in New Zealand from heavy-duty stainless steel, and are engineered specifically for New Zealand conditions and regulations. Backed by the most extensive service network and spare parts inventory in the region, your GM will not let you down.

Special Features

- Polish-free glasswashing compatible
- Assured rinse – fitted with break tank and rinse pump for optimal sanitising rinse results even when running on cold and/or low pressure inlet water

Standard Features

- 60, 120 and 180 second cycles
- Capacity of up to 960 glasses / 840 plates per hour
- Low water consumption of 2.4 litres per cycle
- Compatible with 365mm to 450mm racks
- Heavy-duty stainless steel construction
- Heavy-duty stainless steel componentry
- Advanced electronic controls
- Soft start wash cycle
- Quick connection including:
 - Water supply hose
 - Detergent and rinse aid pumps with injector lines
 - Drain pump with outlet hose
 - 15 amp plugset
- Self-cleaning cycle
- EcoPower – reduced temperatures and energy consumption when machine is idle
- Insulated door – reduced noise and heat emissions

Includes:

- 1 x 450mm dish rack (600 70081)
- 1 x 450mm cup rack (600 70080)
- 1 x cutlery container (C660503)
- 1 x rack adapter (213 30001)



Starline GM

washtech.co.nz

Washtech Limited

PO Box 90-548
Auckland 1142

414 Rosebank Road
Avondale
Auckland 1026
NEW ZEALAND

(09) 829 0930
info@washtech.co.nz

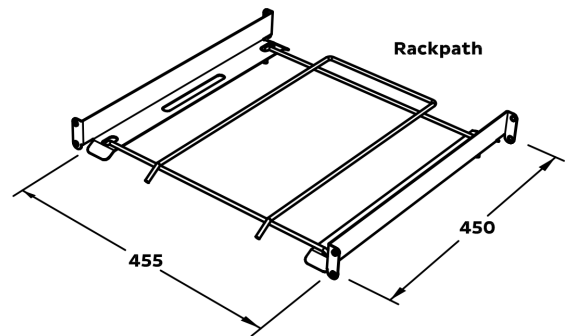
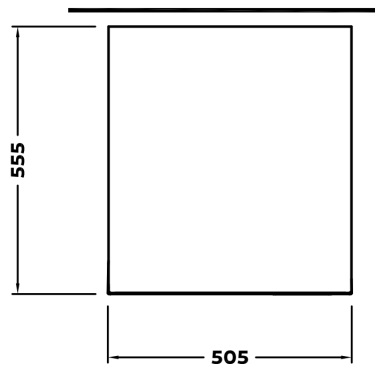
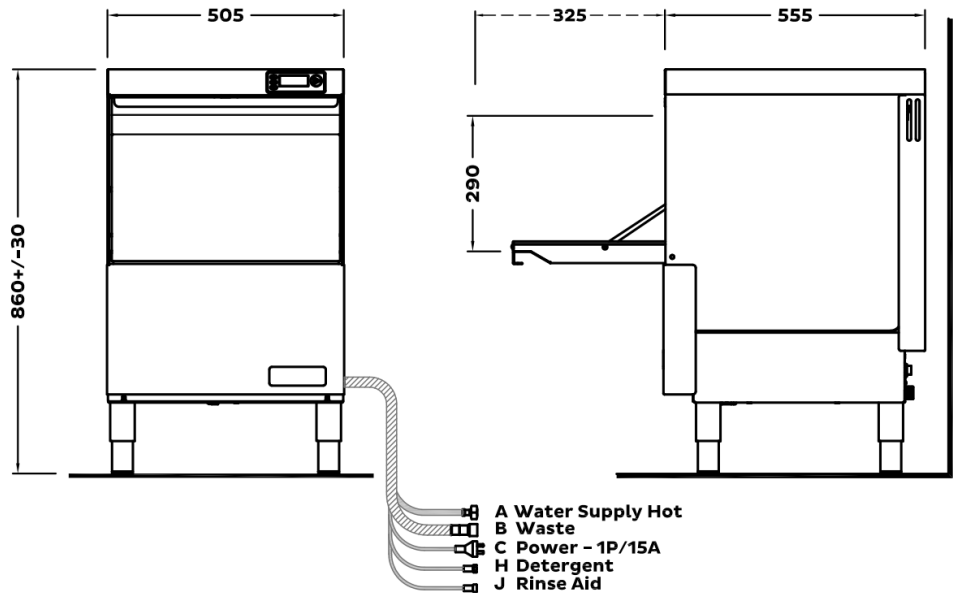
service@washtech.co.nz

For 24/7 service and support:
0800 WASHTECH

Washtech provides full service and support 24 hours a day, 7 days a week, with a comprehensive nationwide network of authorised service providers.

In line with policy to continually develop and improve its products, Washtech reserves the right to change specifications and design without notice.

© 2020 Washtech Limited
Version: SGM00212007



A - Hot Water*

Temperature	65°C
Connection	3/4" male; hose supplied
Pressure	100-350kPa
Flow	10 litres per min
Quality	Potable - refer table
Backflow Prevention	AVB
Consumption	2.4 litres per cycle

B - Waste - Pumped Drain

Connection	20mm male; drain pump outlet hose supplied (up to 25mm connection)
Outlet Temp	No greater than wash water temp (default = 60°C to 65°C)

C - Electrical

	V	Hz	A/phase	Max kW
Single Phase	240	50	15	3.15
Single Phase	240	50	25	6.15
Three Phase	415	50	15	9.00

Dimensions

	Machine	Packed
Width (mm)	505	540
Depth (mm)	555	640
Height (mm) **	860	875
Weight (kg)	54	68
Volume (m ³)		0.29

Water Quality

	Min	Max
pH	7	8
Hardness (ppm)	20	100
Cl-		100
SO ₄		400
Fe		0.1
Mn		0.5
Cu		0.05
Cl ₂		0.1

* Suitable for connection to cold inlet water. To optimize productivity when operating on cold water connect to 1p/25A or 3p/15A.

** For plinth mounting, the machine height can be reduced by using rubber feet (#C440201) in place of the supplied legs.

Refer to operator manual for installation instructions.

Isolating switch must be within 1m of, and not directly behind the machine.