

## Starline GLV

Undercounter Dishwasher

**W 535mm x D 595mm x H 845mm**

The Starline GLV is a compact yet powerful undercounter dishwasher that is simple to use and easy to maintain. The GLV combines a small versatile footprint with heavy duty stainless steel construction and componentry, a powerful wash pump, and a rapid rinse recovery system including a booster pump – a combination of features which have made it New Zealand’s most popular commercial undercounter dishwasher for over a decade.

With class-leading water consumption rates and rinse heating performance, the Starline GLV provides excellent wash results with short and efficient cycles, being both economical to run and environmentally friendly. It also features Washtech’s hybrid control system, combining IP65 stainless steel switches with tried-and-tested mechanical switchgear and a customisable electronic timer, offering superior longevity and reliability.

Since 1981, Washtech dishwashers have been designed and manufactured in New Zealand to meet the unique local conditions and regulations. Being New Zealand based means that Washtech dishwashers are backed by the most extensive service network and parts availability in New Zealand.

### Standard Features

- 60 and 150 second cycles
- Capacity of up to 960 glasses / 840 plates per hour
- Low water consumption of 2.6 litres per cycle
- Compatible with 435mm and 450mm racks
- Powerful 0.5HP dishwasher grade wash pump
- Heavy-duty stainless steel construction
- Heavy-duty stainless steel componentry including double filtration featuring stainless steel scrap trays
- Suitable for sites with low water pressure – rinse booster pump equipped
- Washtech hybrid controls
- Quick connection including:
  - Water supply hose
  - Detergent and rinse aid pumps with injector lines
  - Drain pump with outlet hose
- Easy-clean composite wash filter

### Includes:

- 1 x 450mm dish rack (600 70081)
- 1 x 450mm cup rack (600 70080)
- 1 x cutlery container (C660503)



## Starline GLV

washtech.co.nz

### Washtech Limited

PO Box 90-548  
Auckland 1142

414 Rosebank Road  
Avondale  
Auckland 1026  
NEW ZEALAND

(09) 829 0930  
info@washtech.co.nz

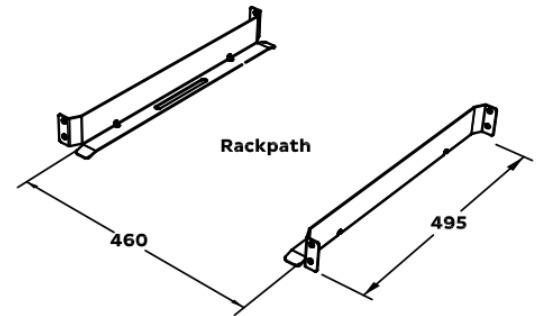
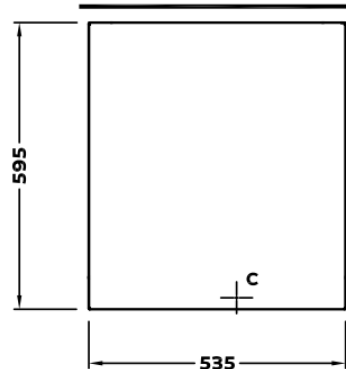
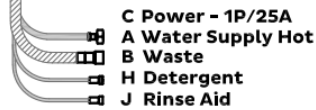
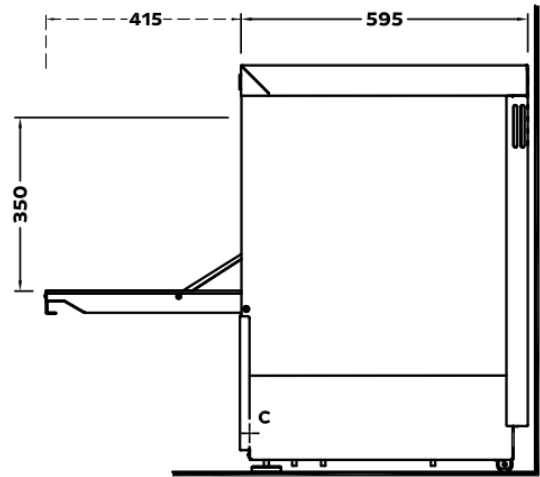
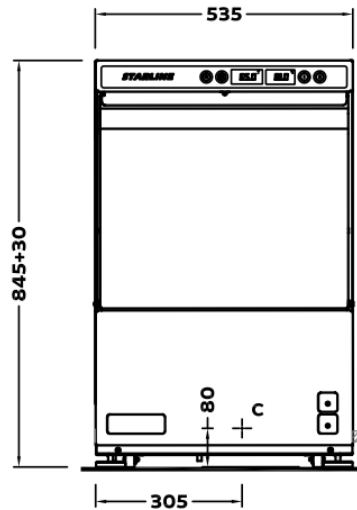
service@washtech.co.nz

For 24/7 service and support:  
**0800 WASHTECH**

Washtech provides full service and support 24 hours a day, 7 days a week, with a comprehensive nationwide network of authorised service providers.

In line with policy to continually develop and improve its products, Washtech reserves the right to change specifications and design without notice.

© 2020 Washtech Limited  
Version: SGLV00212011



### A - Hot Water\*

Temperature 65°C  
Connection 3/4" male; hose supplied  
Pressure 100-350kPa  
Flow 10 litres per min  
Quality Potable - refer table  
Backflow Prevention AVB  
Consumption 2.4 litres per cycle

### B - Waste - Pumped Drain

Connection 20mm male; drain pump outlet hose supplied (up to 25mm connection)  
Outlet Temp No greater than wash water temp (default = 60°C to 65°C)

C - Electrical	V	Hz	A/phase
Single phase	240	50	25
Single phase	240	50	15

### Dimensions

	Machine	Packed
Width (mm)	535	540
Depth (mm)	595	640
Height (mm) **	845	875
Weight (kg)	66	68
Volume (m <sup>3</sup> )		0.29

### Water Quality

	Min	Max
pH	7	8
Hardness (ppm)	20	100
Cl <sup>-</sup>		100
SO <sub>4</sub>		400
Fe		0.1
Mn		0.5
Cu		0.05
Cl <sub>2</sub>		0.1

Isolating switch must be within 1m of, and not directly behind the machine.

Refer to operator manual for installation instructions.