

Starline CDe240

240 rack per hour Conveyor Dishwasher
W 2710mm x D 765mm x H 1835mm

Washtech rack conveyors are designed and constructed with a wide range of customisable system accessories to optimise the productivity of the busiest washrooms. Since 1981 Washtech dishwashers have been constructed in New Zealand from heavy-duty stainless steel, and are engineered specifically for the unique local conditions and regulations. Backed by the most extensive service network and spare parts inventory in the region, your CDe240 will not let you down.

Special Features:

- SEED certified for installation without an extraction canopy in most situations
- Integrated heat recovery unit which significantly reduces steam emissions, energy consumption and water treatment cost
- Four stage EcoRinse for exceptional rinse performance and minimal water usage

Standard Features:

- Capacity of up to **240 racks per hour** (4,320 plate equivalents)
- Low cold water consumption of **120 litres per hour**
- Heavy duty stainless steel construction and wash manifold
- Full thermal and acoustic insulation
- Full width, easily removable stainless steel wash filter trays for easy cleaning
- Removable upper and lower heavy duty stainless steel wash arm cassettes
- Powerful drive with safety clutch allows the machine to wash heavy items with ease
- Autostart minimises operating costs by only activating pumps and drive when a rack is present
- 600mm pre-wash module with multi-layer externally removable scrap trays
- 1200mm wash module including pre-rinse
- 600mm EcoRinse module with dual recirculating and final rinse stages
- Dual speed drive with options of slower (DIN 10510 2-minute contact time) or faster settings available
- Will wash items up to 400mm high, and taller with suitable operator procedures
- Digital temperature gauges for easy HACCP reporting
- In-house CAD design service for every site layout

Includes:

- 2 x 500mm dish rack (600 70028)
- 2 x 500mm cup rack (600 70029)
- 2 x cutlery container (C660503)
- 1 x cutlery basket (C660508)

Optional Accessories Include:

- Dryer modules
- Straight and curved roller tables
- Pre-rinse troughs
- Setdown benches
- Custom scrap/sort stations
- Sideload tables
- Inlet and outlet corner pawl drives
- Heavy duty roller table limit switch



Starline CDe240

washtech.co.nz

Washtech Limited

PO Box 90-548
Auckland 1142

414 Rosebank Road
Avondale
Auckland 1026
NEW ZEALAND

(09) 829 0930
info@washtech.co.nz

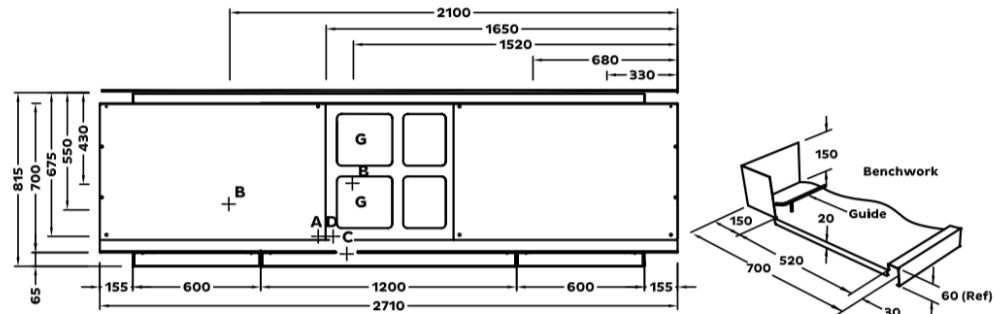
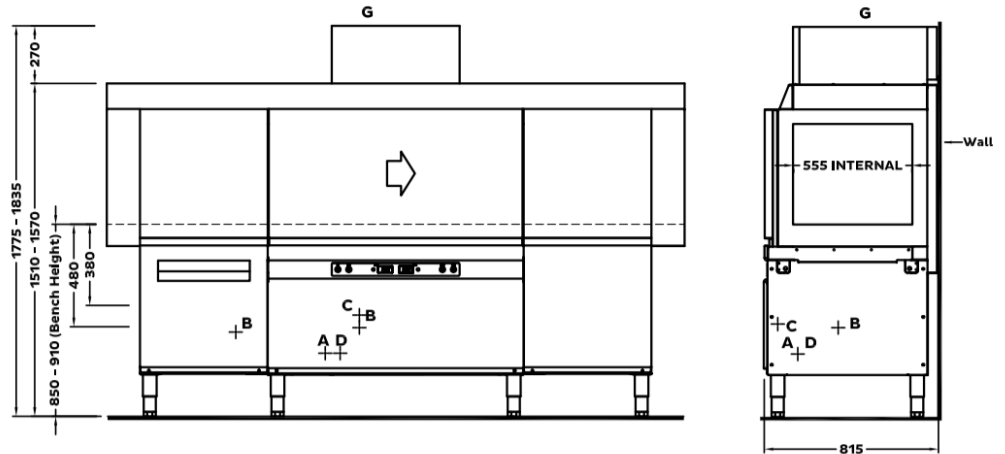
service@washtech.co.nz

For 24/7 service and support:
0800 WASHTECH

Washtech provides full service and support 24 hours a day, 7 days a week, with a comprehensive nationwide network of authorised service providers.

In line with policy to continually develop and improve its products, Washtech reserves the right to change specifications and design without notice.

© 2020 Washtech Limited
Version: SCDE240XXXX 2005



A - Hot Water

Temperature 65°C
Connection 3/4" male; hose supplied
Pressure 200-350kPa
Flow 20 litres per min
Quality Potable - refer table
Backflow Prevention DCV
Consumption 120 litres per hour*

B - Waste

Connection 1.5" BSP male
Line 2.0" / 50mm minimum

C - Electrical	V	Hz	A/phase	Max kW
Three Phase	415	50	35	27.50

D - Cold Water

Temperature <25°C
Connection 3/4" male; hose supplied
Pressure 200-350kPa

G - Air Outlet

No direct connection permitted. Certified for installation without extraction subject to min. background ventilation of 1.1m² free area opening **OR** 350L/sec mechanical ventilation **OR** air change. Consult with a ventilation engineer.

Dimensions	Machine	Packed
Width (mm)	2710	2855
Depth (mm)	765	950
Height (mm)	1835	1850
Weight (kg)	425	525
Volume (m ³)		5.02

Water Quality	Min	Max
pH	7	8
Hardness (ppm)	20	100
Cl ⁻		100
SO ₄		400
Fe		0.1
Mn		0.5
Cu		0.05
Cl ₂		0.1

Isolating switch must be within 1m of, and not directly behind the machine.

* Water consumption rates may vary based on site conditions.

Refer to operator manual for installation instructions.