

AL

START

- Turn on at wall
- Ensure the Wash filter (4) is in place
- Ensure the Scrap trays (2, 3) and Filter basket (1) are in place and shut door
- Press Power button for 3 seconds to turn machine on and begin the fill cycle

OPERATION

- Select cycle using Up/Down buttons (using the Heavy cycle whenever possible)
- Press Start button (once this is Green or Orange) to begin washing
- Timer counts down to 00 then resets after door is opened

START BUTTON COLOURS

- | | | | |
|---|--|---|-----------------------------|
|  | White = machine is filling |  | Purple = door is open |
|  | Red = cycle is running |  | Orange = machine is heating |
|  | Green = rinse water is up to temperature | | |

NOTE: The machine may be started while Orange light is on and while rinse water is being heated and the timer will pause at 22 seconds until rinse water is up to 83 degrees

SHUT DOWN – EVERY NIGHT

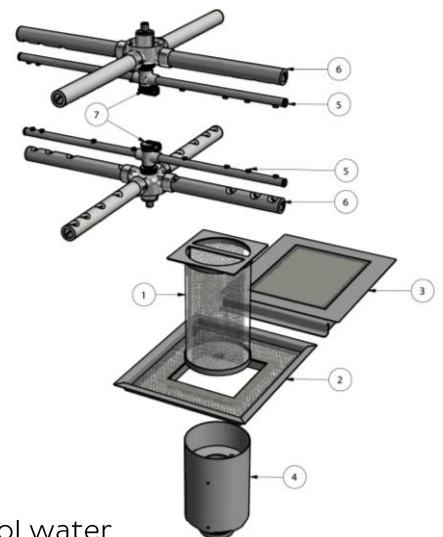
- Select Drain via Up/Down buttons and press Start button
- When Drain cycle is finished after 180 seconds, remove filter basket (1) and scrap tray (2, 3); rinse clean and replace in machine

CLEANING – AT LEAST ONCE A WEEK

Remove, rinse and replace:

Wash Filter	3
Scrap tray	2
Filter Basket	1
Wash Arms	6
Rinse Arms	5
Thumbscrews	7

Inspect and clear all jets in the wash and rinse arms



SUGGESTED BEST PRACTICE

- | | |
|-----------|--|
| Pre-rinse | Scrape and/or rinse plates and glasses in cool water |
| Chemical | Use good quality non foaming commercial detergent and drying agent
Do not use domestic detergent which will cause the machine to foam |

