

M1

START

- Ensure the Upstand (1) and shut the door
- Turn wall power switch on and select any cycle (I, II, III)
- Power light glows red and machine fills automatically
- Once full, rinse heating starts

OPERATION

- Select required cycle of 1 (I), 2 (II), or 3 (III) minutes
- Load rack into machine and shut door
- Cycle light glows green while machine operates
- When the Cycle light goes out, the cycle is complete

NOTE: The machine may be started once the Wash light glows amber and the Rinse Ready light is off, however it will continue to wash until the rinse water has been heated to 83°C

SHUT DOWN - EVERY NIGHT

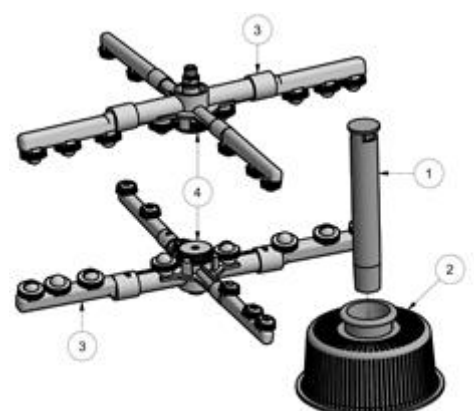
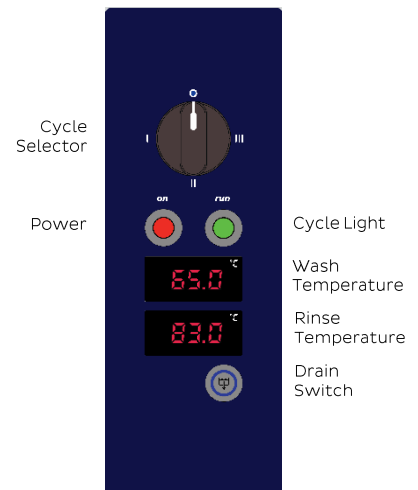
- Remove Upstand (1)
- Turn Drain Switch on to drain wash tank
- Allow to drain for approximately 1 minute or until tank is empty
- Turn Drain and Power switches off
- Turn Cycle selector to 0 and turn off the power from the wall
- Remove and rinse Wash Filter (2) before replacing back in machine along with Upstand (1)

CLEANING – AT LEAST ONCE A WEEK

Remove, rinse and replace:

Upstand	1
Filter	2
Wash/Rinse Arm	3
Thumbscrews	4

Inspect and clear all jets in the wash/rinse arm



SUGGESTED BEST PRACTICE

- | | |
|-----------|--|
| Pre-rinse | Scrape and/or rinse plates & glasses in cool water |
| Chemical | Use good quality non foaming commercial detergent and drying agent
Do not use domestic detergent which will cause the machine to foam |