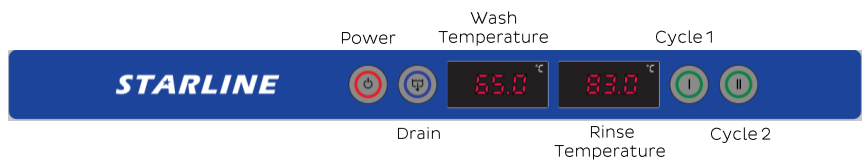


# GLV



## START

- Turn on at wall
- Ensure the Scrap Trays (2) and Filter (3) are in place
- Ensure the Upstand (1) is in place and shut door
- Press the Power button which will glow red, and the machine will fill automatically

## OPERATION

- Load rack into machine and shut door
- Select either Cycle 1 (60 seconds) or Cycle 2 (150 seconds) button to start a cycle
- Both Cycle buttons glow green while machine operates
- When Cycle lights go out, the cycle is complete

NOTE: The machine may be started while the rinse water is being heated - in this instance it will continue to run the wash cycle until the rinse water is up to 83 degrees

## SHUT DOWN - EVERY NIGHT

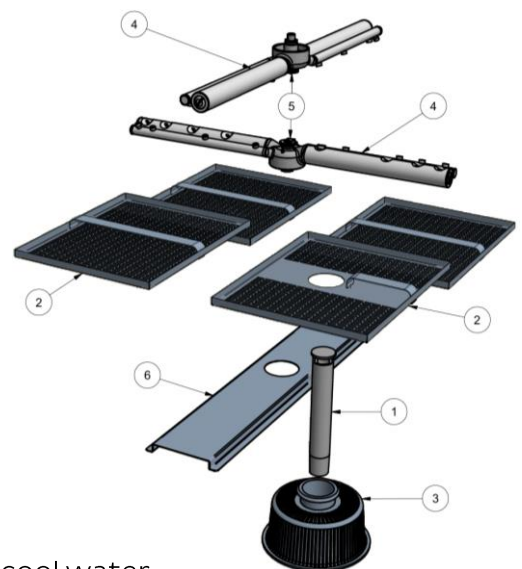
- Open the door and press the Drain button
- Remove Upstand (1) once the top of this is above the level of the water
- Allow to drain for approximately 1 minute or until the tank is empty
- Turn the Drain and then the Power buttons off
- Remove and rinse Scrap Trays (2) and Filter (3) before replacing back in machine along with the Upstand (1)

## CLEANING – AT LEAST ONCE A WEEK

Remove, rinse and replace:

Upstand	1
Scrap Trays	2
Filter	3
Wash/rinse Arms	4
Thumbscrews	5
Scrap Tray Support	6

Inspect and clear all jets in the wash/rinse arms



## SUGGESTED BEST PRACTICE

- |           |  |
|-----------|--|
| Pre-rinse | Scrape and/or rinse plates & glasses in cool water   |
| Chemical  | Use good quality non foaming commercial detergent and drying agent<br>Do not use domestic detergent which will cause the machine to foam |