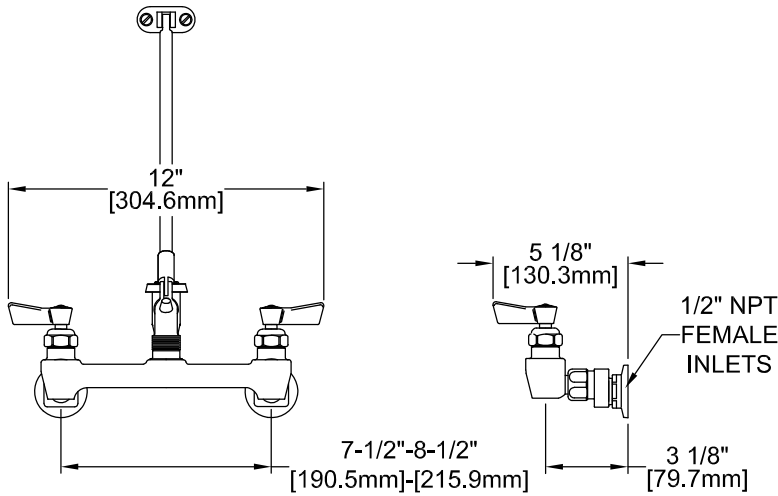
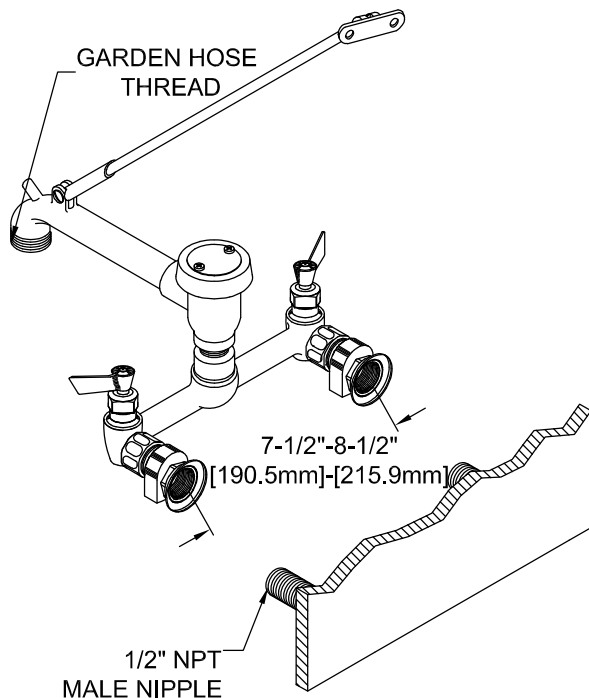


Customer/Wholesaler:	Date:	Job Name:	Model Specified:	Quantity:
Contractor:		Architect/Engineer:		



ROUGH-IN:



MODEL:

8253 FAUCET 8AWZLH 06SRV

OPTIONS OR MODIFICATIONS:

OTHER EZ INSTALL ADAPTERS

FEATURES:

CONTROL VALVE

- * ECCENTRICS ADJUST FROM 7-1/2" TO 8-1/2"
- * INTERNAL SPRING LOADED CHECK VALVES
- * SWIVELING SEAT DISKS
- * HOT SIDE STEM - RIGHT HAND
- * COLD SIDE STEM - LEFT HAND
- * STAINLESS STEEL SEATS
- * STAINLESS STEEL SEAT SCREWS
- * STAINLESS STEEL HANDLE SCREWS
- * ATMOSPHERIC VACUUM BREAKER
- * 3/4" GARDEN HOSE THREAD OUTLET

SYSTEM LIMITS

- * TEMP: 40°F MIN. TO 160°F MAX.
- * PRESSURE 200 PSI MAX. STATIC
- * 13.6 GPM AT 80 PSI (54.1 L/min @550 KPa)

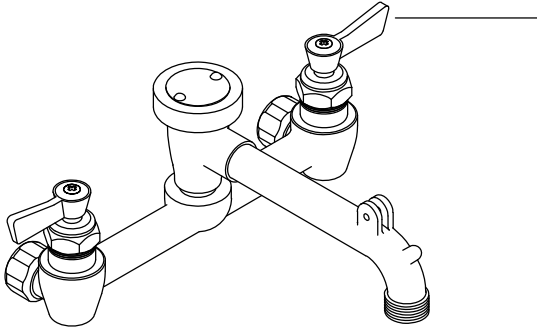
SHIPPING WEIGHT

- * 6.25 LBS










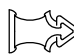
PRODUCT COMPLIANCE:

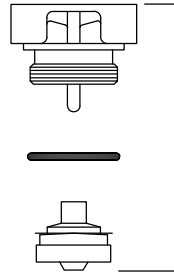
- * ASME A112.18.1 / CSA B125.1

Replacement Parts for Service Sinks

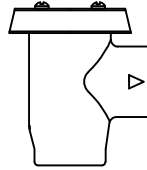


8253
SERVICE SINK FAUCET

-  2000-7500
SCREW
-  2000-8000
RED BUTTON
AND
2000-8001
BLUE BUTTON
-  LEVER HANDLE
-  2000-3002
BIBB CAP
-  73657
DUCK GASKET
-  2000-5000
WASHER
-  2000-0004
RH CHECK STEM
REPAIR KIT
OR
2000-0005
LH CHECK STEM
REPAIR KIT
-  2000-6000
SPRING
-  2000-0001
RETAINER
ASSEMBLY
-  73521
LUBE

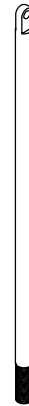


22004
VACUUM BREAKER
REPAIR KIT FOR
1/2" NPT

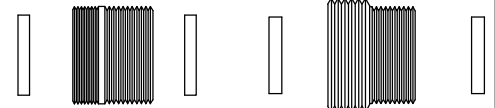


75117
VACUUM BREAKER
1/2" NPT

2000-0002
LEVER HANDLE KIT



8250-3302
SUPPORT ROD



34673
EZ INSTALL KIT
FOR CHICAGO

29203
EZ INSTALL KIT
FOR T&S



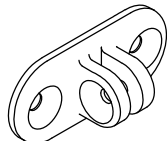
3200-2306
ECCENTRIC
FLANGES



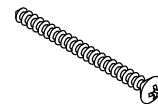
3200-2307
1/2" ECCENTRICS



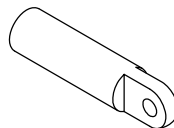
2200-5000
ECCENTRIC
GASKETS



8250-2300
WALL FLANGE



13811
WALL BRACKET
SCREW



8250-3300
ROD ADJUSTER



8254-7000
SCREW