

APPLICATION:

PRODUCT NAME:
SWIVEL GOOSENECK SPOUT ASSEMBLY

JOB NAME:

_____ SPECIAL CONFIGURATION
 CHECK BASE MODEL AND OPTIONS

QUANTITY:

ITEM NO.

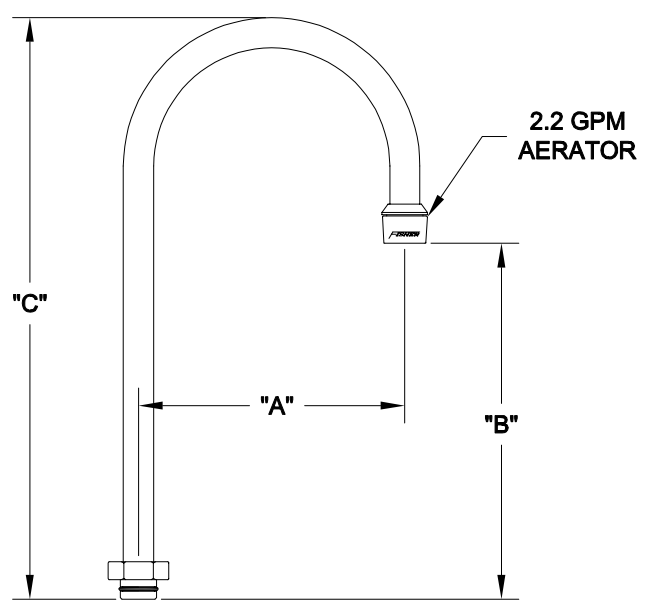
MODEL:
 3965 12" SWIVEL GOOSENECK SPOUT
 3968 6" SWIVEL GOOSENECK SPOUT

OPTIONS OR MODIFICATIONS:
 OTHER _____

FEATURES
 * 2.2 GPM AERATOR

SYSTEM LIMITS
 * TEMP: 40°F MIN. TO 140°F MAX.
 * PRESSURE: 200 PSI MAX. STATIC

SHIPPING WEIGHT
 * 0.75 LBS



| MODEL | DIM "A" | DIM "B" | DIM "C" |
|-------|-------------------|-------------------|----------------|
| 3965 | 5-1/2" [140mm] | 7-3/8" [187mm] | 12" [304mm] |
| 3968 | 3-1/2" [89mm] | 3-3/8" [86mm] | 7" [180mm] |