

APPLICATION:

PRODUCT NAME:
HOSE/PIPE 1/4F X 3/8F

JOB NAME:

MODEL:
 2926-3300 HOSE/PIPE 1/4F X 3/8F

QUANTITY:

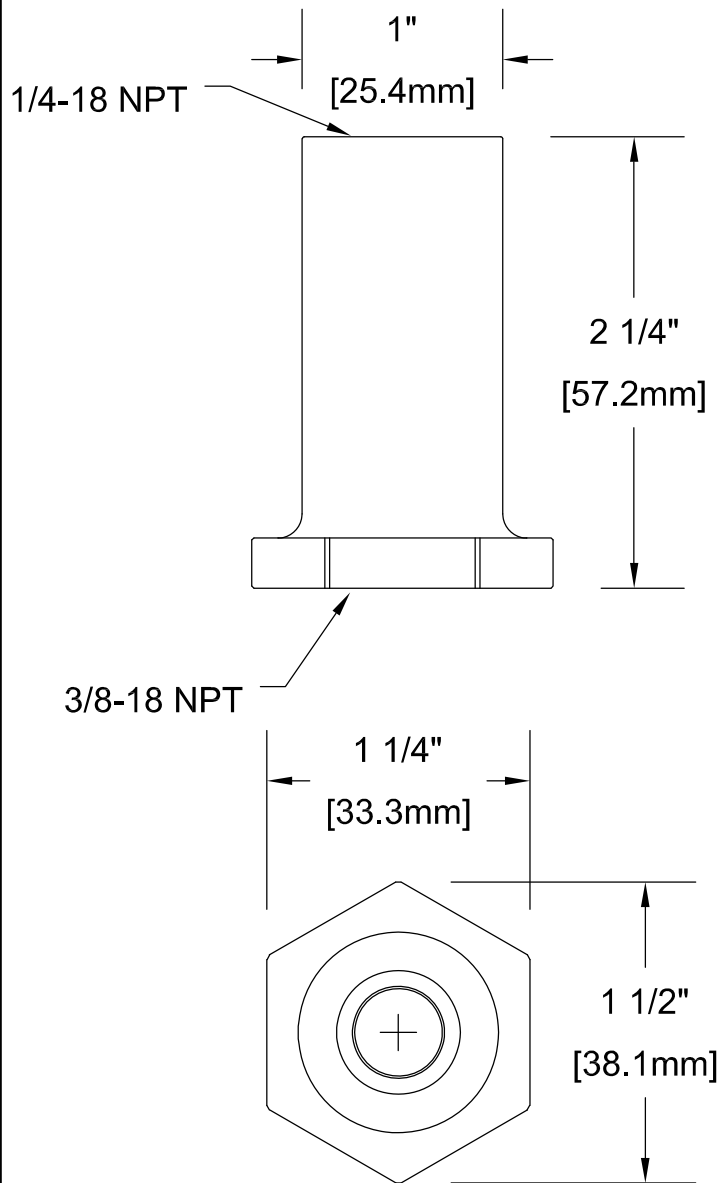
ITEM NO.:

OPTIONS OR MODIFICATIONS:
 OTHER _____

FEATURES

SHIPPING WEIGHT
* 0.5 LBS

PRODUCT COMPLIANCE:
* ASME A112.18.1 / CSA B125.1
* NSF 61 - Section 9
* NSF 372 (Low Lead Content)



FISHER MANUFACTURING COMPANY
TOLL FREE: 800-421-6162 - FAX: 800-832-8238
information@fisher-mfg.com - www.fisher-mfg.com