

APPLICATION:

JOB NAME:

PRODUCT NAME:

ADD-ON FAUCET LESS SWING SPOUT

_____ SPECIAL CONFIGURATION
CHECK BASE MODEL AND OPTIONS

QUANTITY:

ITEM NO.

MODEL:

2901-0000 WITH 4" RISER

2901-0001 WITH 2" RISER

OPTIONS OR MODIFICATIONS:

HANDLES (CROSS OR WRIST) CIRCLE STYLE

VANDAL RESISTANT KIT

OTHER _____

FEATURES

CONTROL VALVE

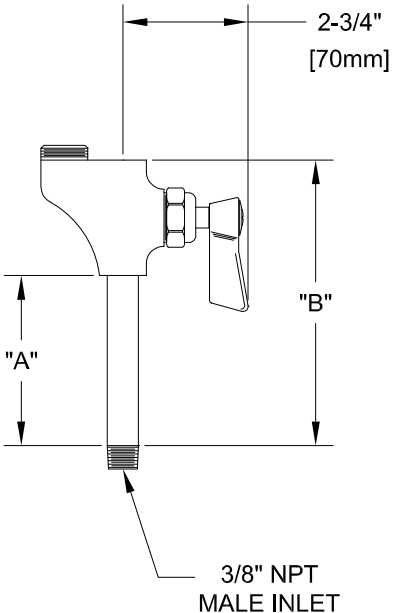
- * 3/8" MALE INLET
- * STEM - RIGHT HAND
- * HOT AND COLD INDEX BUTTONS
- * SWIVELLING SEAT DISK
- * STAINLESS STEEL SEAT
- * STAINLESS STEEL SEAT SCREW
- * STAINLESS STEEL HANDLE SCREW

SYSTEM LIMITS

- * TEMP: 40°F MIN. TO 160°F MAX.
- * PRESSURE: 200 PSI MAX. STATIC

SHIPPING WEIGHT

- * 1.5 LBS



MODEL	DIM "A"	DIM "B"
2901-0000	3-3/4" [95mm]	6" [152mm]
2901-0001	1-3/4" [45mm]	4" [102mm]