

APPLICATION:

PRODUCT NAME:  
**CLOSE ELBOW 1/2F**

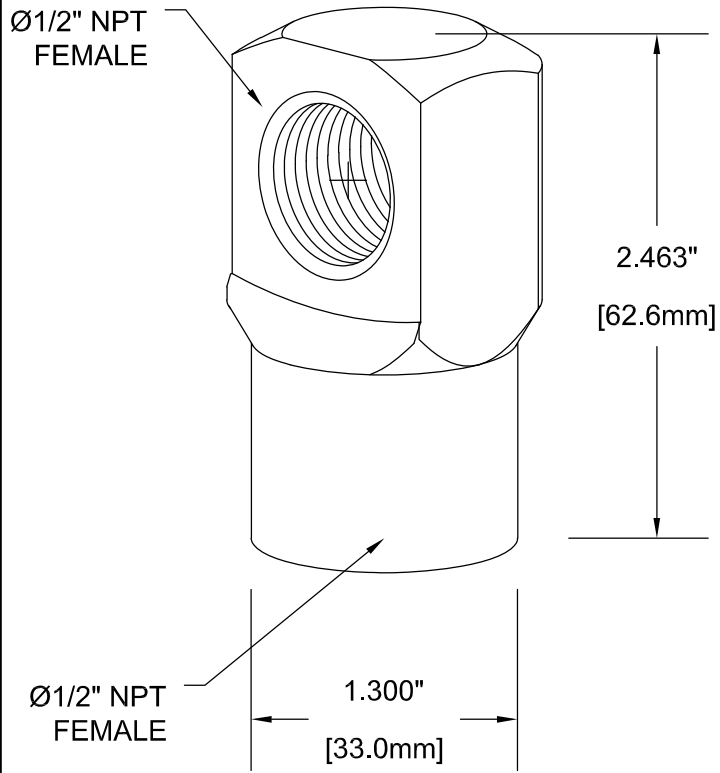
JOB NAME:

MODEL:  
 2400-2103 CLOSE ELBOW 1/2F

QUANTITY:

ITEM NO.:

OPTIONS OR MODIFICATIONS:  
 OTHER \_\_\_\_\_



FEATURES  
\* FITS ALL COMPETITOR'S COMMERCIAL FAUCETS  
\* 1/2" 90° ELBOW TO MAKE INSTALLATION EASIER WHEN YOU ARE LIMITED ON SPACE, BEHIND THE BACKSPLASH  
\* PREVENTS ANY CRIMPING OR OTHER DAMAGE TO SUPPLY LINES

SHIPPING WEIGHT  
\* 0.375 LBS



FISHER MANUFACTURING COMPANY  
TOLL FREE: 800-421-6162 - FAX: 800-832-8238  
information@fisher-mfg.com - www.fisher-mfg.com