

APPLICATION:

PRODUCT NAME:  
**PRERINSE SVL 8AWLH**

JOB NAME:

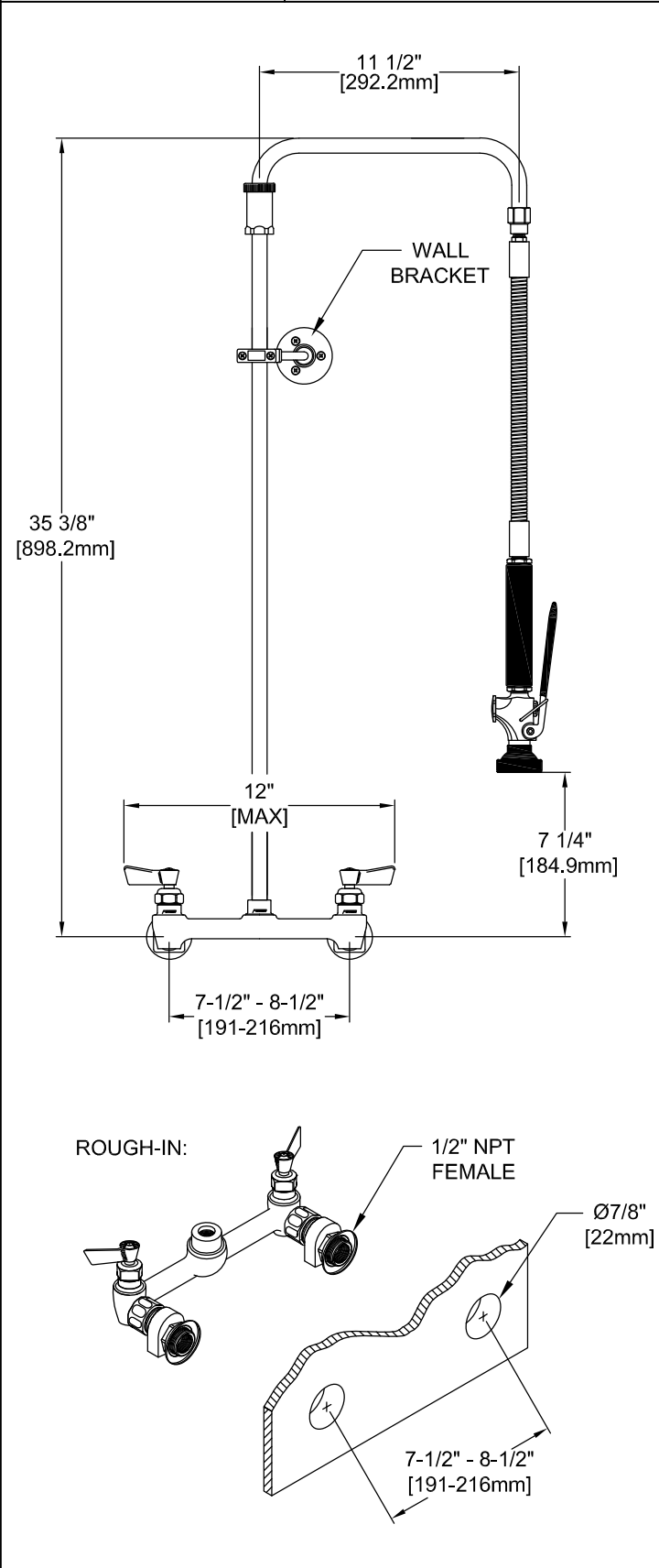
MODEL:

QUANTITY:

ITEM NO.:

2211-WB PRERINSE SVL 8AWLH

OPTIONS OR MODIFICATIONS:  
 OTHER \_\_\_\_\_



**FEATURES**

- CONTROL VALVE**
- \* ECCENTRICS ADJUST FROM 7-1/2" TO 8-1/2"
  - \* INTERNAL SPRING LOADED CHECK VALVES
  - \* HOT SIDE - RIGHT HAND, COLD SIDE - LEFT HAND
  - \* SWIVELLING SEAT DISKS
  - \* STAINLESS STEEL SEATS
  - \* STAINLESS STEEL SEAT SCREWS
  - \* STAINLESS STEEL HANDLE SCREWS

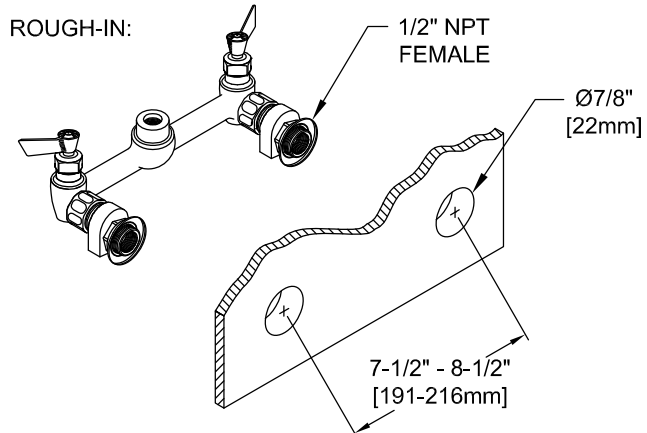
- HOSE**
- \* 15-1/2" LENGTH
  - \* STAINLESS STEEL END FITTINGS
  - \* STAINLESS STEEL EXTERNAL JACKET
  - \* 3-PLY FIBER REINFORCED INTERNAL RUBBER HOSE

- ULTRA SPRAY VALVE**
- \* LOWEST ENERGY USER - 1.15 GPM @ 60 PSI
  - \* CLEANS FASTER - TEST PROVEN
  - \* ENGINEERED TO LAST - NO 'O' RINGS TO LEAK
  - \* INTERCHANGEABLE - FITS ALL BRANDS

- SYSTEM LIMITS**
- \* TEMP: 40°F MIN. TO 160°F MAX.
  - \* PRESSURE: 200 PSI MAX. STATIC

- SHIPPING WEIGHT**
- \* 12.0 LBS

- PRODUCT COMPLIANCE:**
- \* ASME A112.18.1 / CSA B125.1
  - \* NSF 61 - Section 9
  - \* NSF 372 (Low Lead Content)
  - \* 2019 DOE PRSV - Class II



FISHER MANUFACTURING COMPANY  
TOLL FREE: 800-421-6162 - FAX: 800-832-8238  
information@fisher-mfg.com - www.fisher-mfg.com