

APPLICATION:

PRODUCT NAME:  
**WASHER SEAT HARD 1/2 STEM**

JOB NAME:

MODEL:

QUANTITY:

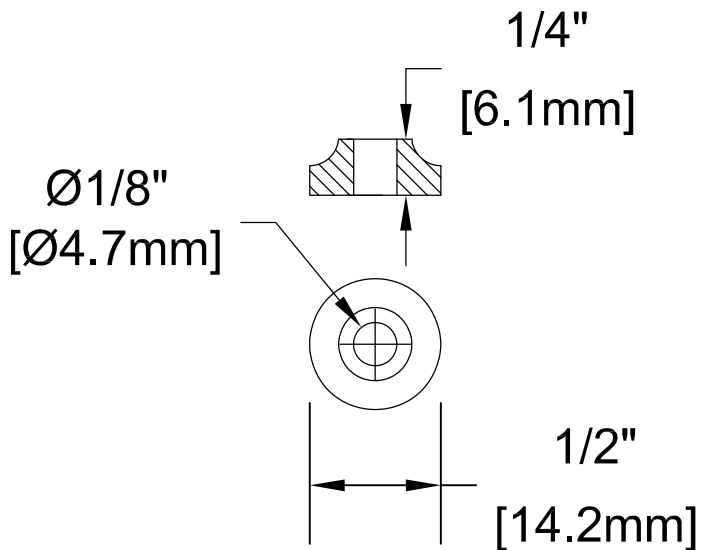
ITEM NO.:

2000-5003 WASHER SEAT HARD 1/2 STEM

OPTIONS OR MODIFICATIONS:  
 OTHER \_\_\_\_\_

FEATURES:

SHIPPING WEIGHT  
\* 0.5 LBS



FISHER MANUFACTURING COMPANY  
TOLL FREE: 800-421-6162 - FAX: 800-832-8238  
information@fisher-mfg.com - www.fisher-mfg.com