

APPLICATION:

PRODUCT NAME:  
**O-RING SPOUT 1/2**

JOB NAME:

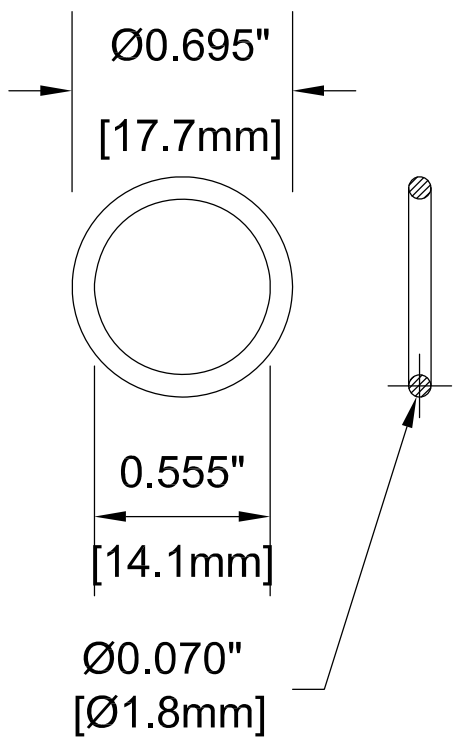
MODEL:

QUANTITY:

ITEM NO.:

1600-5000 O-RING SPOUT 1/2

OPTIONS OR MODIFICATIONS:  
 OTHER \_\_\_\_\_



FEATURES:

SHIPPING WEIGHT  
\* 0.5 LBS



FISHER MANUFACTURING COMPANY  
TOLL FREE: 800-421-6162 - FAX: 800-832-8238  
information@fisher-mfg.com - www.fisher-mfg.com