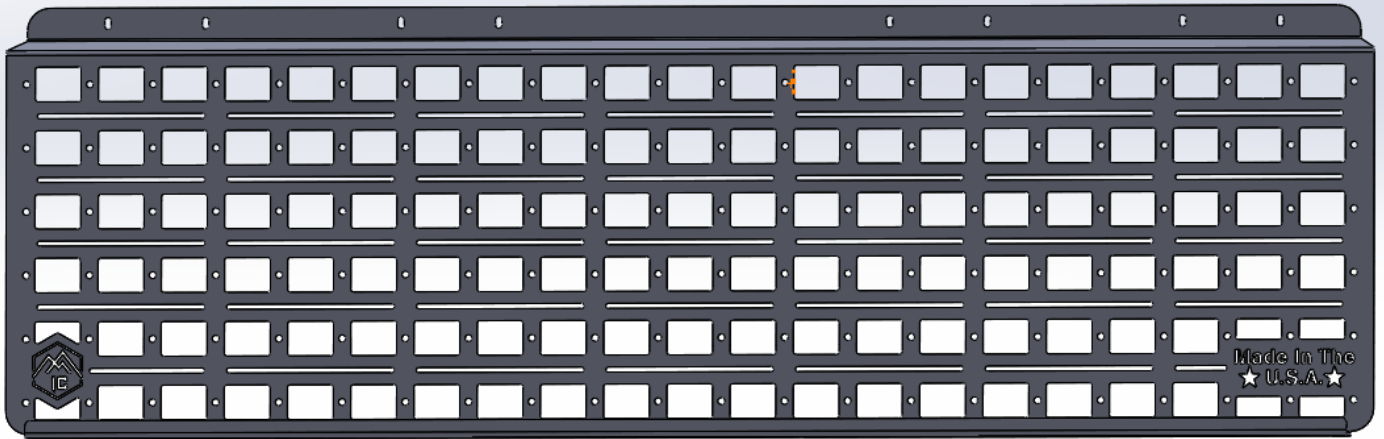


CJC Built 2003-2021 Ram 2500-3500 Bulkhead Molle Panel Installation.



Kit Includes:

Qty: (1) - Icky Concepts Bulkhead molle panel.

Qty: (1) - 1/4"-20 thread rivet nut installation tool

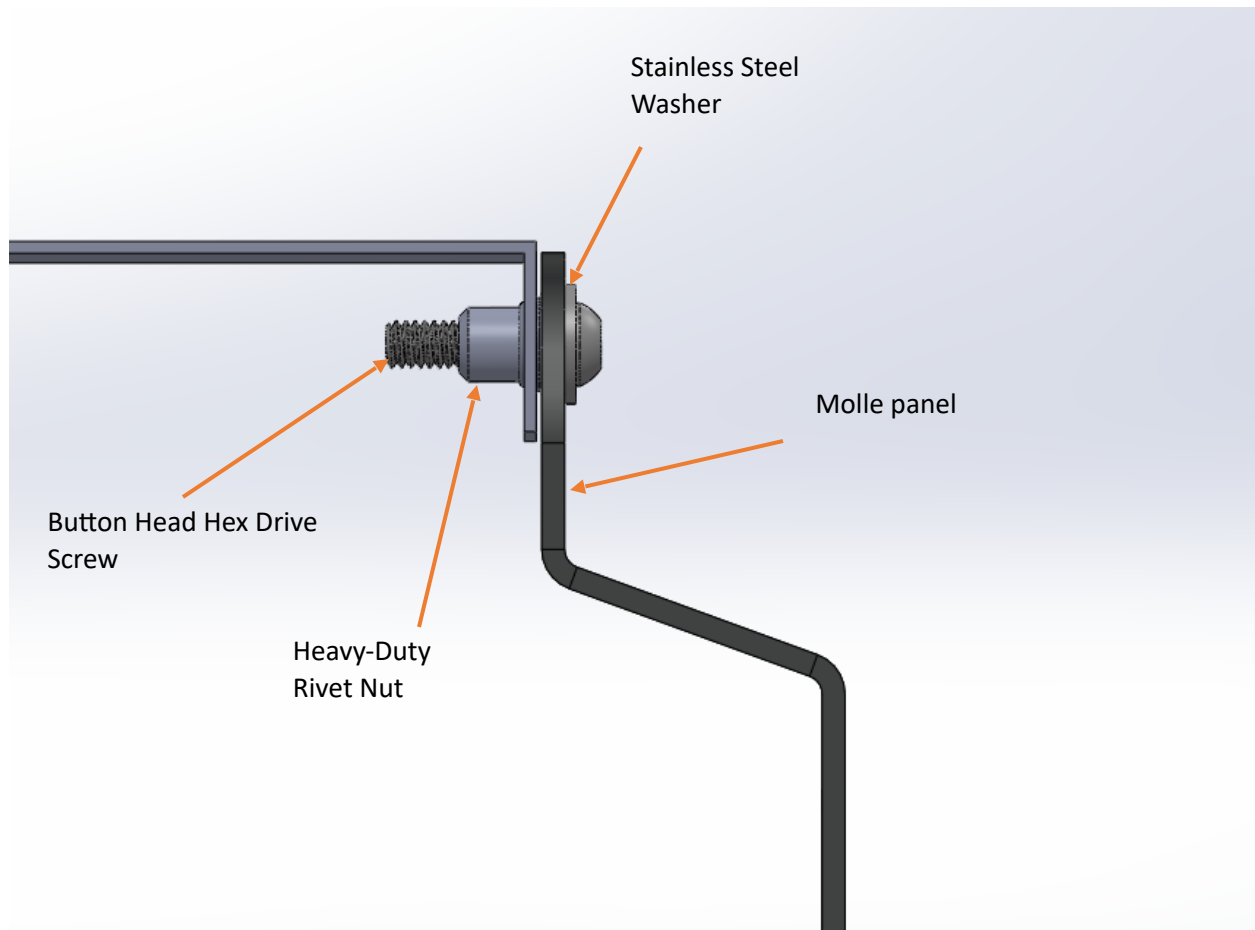
Qty: (12) - Button Head Hex Drive Screws (Black-Oxide 18-8 Stainless Steel, 1/4"-20 Thread, 1" Long)

Qty: (12) - Black-Oxide 18-8 Stainless Steel Washer (for 1/4" Screw Size, 0.281" ID, 0.625" OD)

Qty: (13) - Zinc-Plated Steel Heavy-Duty Rivet Nut Open End, 1/4"-20 Interior Thread, .027"-.165"

Material Thickness.

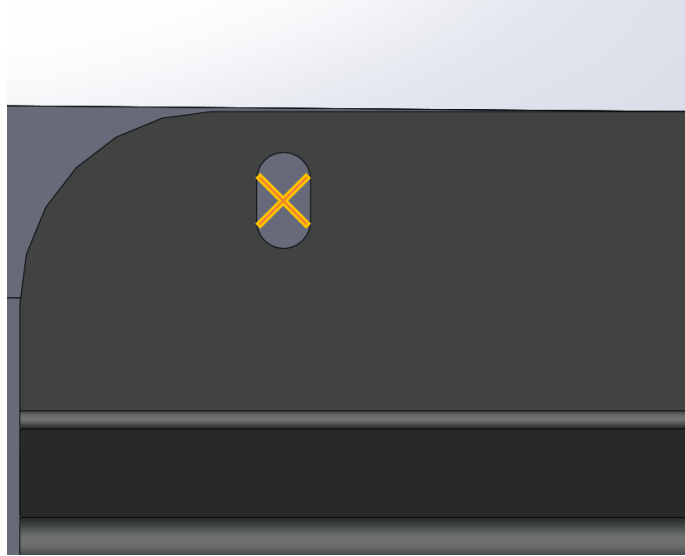
Tools Required: Drill, 25/64 Drill Bit, 5/32 Allen Wrench, 7/16 Box End Wrench, Adjustable Wrench, Rivet Nut Installation Tool (Included).



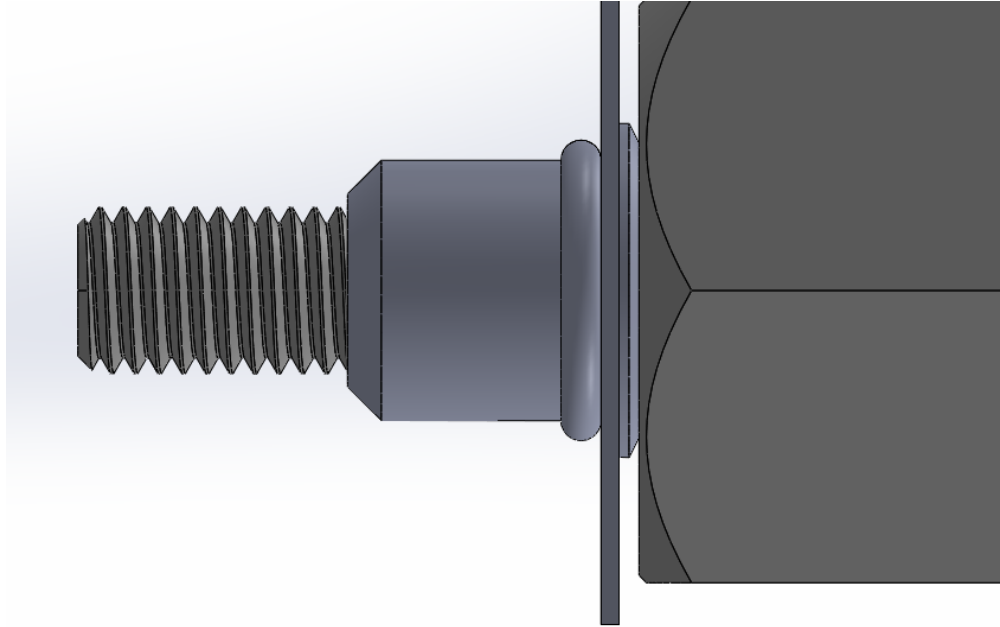
Above is a picture of a fixture assembly after installation into the bed rail flange.

Following are step by step instructions for installation.

1. Mockup the panel in your truck bed. Ensure that the panel is centered on the trucks bulkhead.
2. Ensure that panel is vertically level as much as possible.
3. Mark hole locations on bed rail flange using either a small drill bit or center punch. Mark in the center of the slots on the panel flanges. (as shown below)



4. Drill through plastic bed rail cover and bed rail sheet metal with increasing drill sized until you can drill a hole with a $25/64^{\text{th}}$ drill bit. This size drill bit is critical for the proper installation of the rivet nuts.
5. Prepare rivet nut and rivet nut tool.
 - a. Make sure $1/4$ -20 rivet nut stud is in the rivet nut tool. (it is the only one the rivet nut will thread into)
 - b. Thread rivet nut all the way onto rivet nut tool.
 - c. Pry back plastic bed rail liner enough to fit rivet into $23/64$ hole in the bed rail sheet metal. The rivet nut **cannot** be installed onto bed rail cover plastic.
 - d. While pressing the rivet into the bed rail. Turn top portion of rivet nut tool while keeping bottom portion stationary.
 - e. Turn top portion of wrench by hand until rivet nut has compressed.



6. Repeat step 5 for remaining 11 holes in the bulkhead.
7. Secure panel to the bulkhead with the bolts on the far ends of the panel.



8. With panel secured. Mark holes in truck bed with a small drill bit or center punch.
9. Remove panel.
10. Drill through truck bed with increasing drill sized until you can drill a hole with a **25/64th drill bit**. This size drill bit is critical for the proper installation of the rivet nuts.
11. Repeat step 5 to install rivet nuts into truck bed.
12. Install molle panel with the at least one top bolt in each corner first.
13. Install bottom bolts (Blue **Loctite is recommended**)
 - a. Note: Panel will be slightly away from truck bed surface, this is a design feature.
14. Enjoy your New Icky Concepts bulkhead molle panel!