

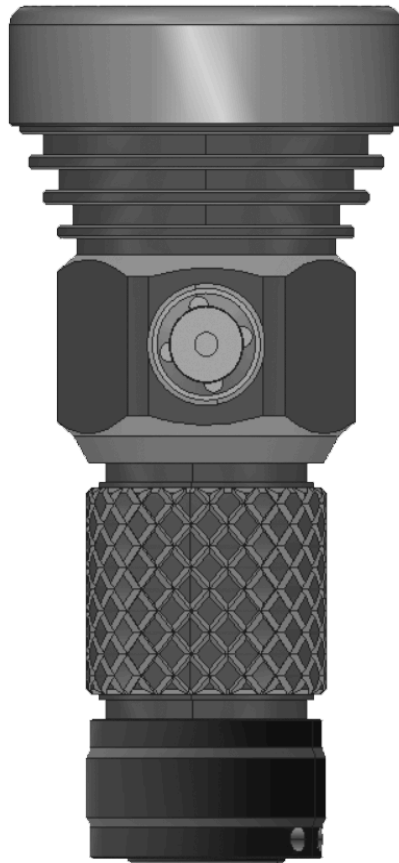


EPICFORGED™

DART FLASHLIGHT USER GUIDE

GETTING STARTED

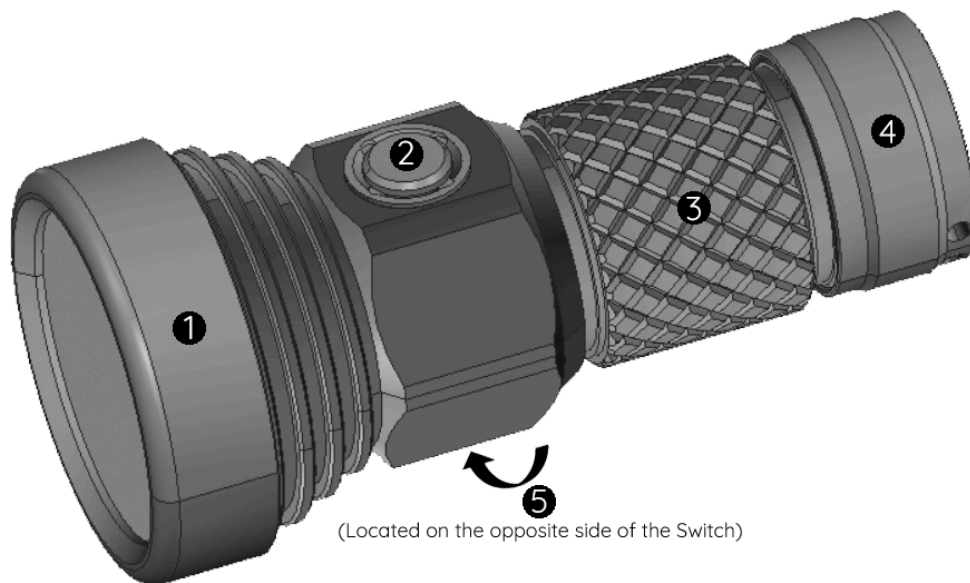
DART is a high-powered, rechargeable flashlight that provides up to 106 hours of light designed for camping, hiking, off-roading, over-landing, and just about everyone looking for a small everyday carry flashlight with an exceptionally long beam throw that you just have to see to believe!



BEFORE POWERING ON YOUR FLASHLIGHT

DART IS SHIPPED WITH A BATTERY SAFETY TAB INSIDE THE BODY TUBE. YOU MUST FIRST UNSCREW THE FLASHLIGHT HEAD AND REMOVE IT FROM THE BATTERY TERMINAL. AFTER THAT, RECHARGE THE FLASHLIGHT FOR SEVERAL HOURS. IF YOU'RE EXPERIENCING ANY ISSUES, PLEASE READ THE TROUBLESHOOTING STEPS BELOW BEFORE CONTACTING US.

DART AT A GLANCE



❶ Flashlight Head

❷ Side-button Switch

❸ Standard Body Tube (For 18350 battery)

❹ Tailcap

❺ Magnetic charging port

FLASHLIGHT OPERATION

DART comes with four levels of brightness, moonlight, mode-memory feature, self-defense strobe, SOS, and a Beacon strobe mode.

MODES CHART:

Mode	Lumens	Runtime (18350 battery)
Low	20 (3520 cd)	12 hours
Medium	100 (13200 cd)	4 hours
High	230 (31200 cd)	1 hour 20 minutes
Turbo	720 (89600 cd)	1 hour 10 minutes
Strobe	720 (89600 cd)	-
Beacon	720 (89600 cd)	-
SOS	720 (89600 cd)	-

LOCK-OUT: DART is equipped with a LOCK-OUT feature to prevent accidental activation. We recommend locking out the flashlight when you're not using it. From OFF, click 4 times quickly to LOCK-OUT. DART will blink to indicate that it has been locked. To UNLOCK, click 4 times quickly again.

MOONLIGHT MODE OPERATION: While the flashlight is OFF, press and hold the switch down for half a second to activate moonlight. Press once to turn OFF.

REGULAR MODE OPERATION: From OFF, click once for Mode 1: Low Power. Press and hold down to cycle through the different modes; Low > Medium > High > and back to Low. Simply release the button on the mode you want to use. Press once to turn OFF and to store that mode into last mode memory. The next time you power on, it will start from that last mode.

TURBO MODE: This is the highest and brightest setting. From OFF or from any mode, click twice quickly to jump into turbo mode. Note: This mode cannot be stored in mode memory.

SELF-DEFENSE STROBE: Used for self-defense, the strobe mode can temporarily blind an assailant and may potentially stop a threat. Click three times from any mode. Press once to turn OFF. Note: This mode cannot be stored in mode memory.

SOS STROBE: Used during emergencies, you can access this mode from the SELF-DEFENSE STROBE mode. While in SELF-DEFENSE STROBE mode, simply press and hold down to activate SOS. Click once to turn OFF. Note: This mode cannot be stored in mode memory.

BEACON STROBE: Used as a way to signal your location, the beacon strobe will be activated from SOS STROBE mode. Once SOS STROBE is activated, press and hold to activate BEACON STROBE. Press once to turn OFF. Note: This mode cannot be stored in mode memory.

LED POWER INDICATOR LIGHT: The LED indicator in the center of the side button switch can be used to determine current power remaining. Red LED indicates that the flashlight battery has fallen below 19% and needs to be recharged. Purple indicates 20% to 49%. Blue means it is at 50% to 100% charged.

REPLACEABLE BATTERY: DART comes standard with an 18350 rechargeable lithium-ion battery that is removable and replaceable. Depending on your usage, you will eventually need to replace the battery when you notice that it no longer holds a charge efficiently.

18650 BATTERY EXTENSION TUBE: One of DART's unique features is the ability to use a larger 18650 battery. When equipped with the 18650 battery extension tube accessory (included on certain bundle packages) you will be able to use an 18650 battery that offers more capacity than the standard included 18350 battery.



When using the battery extension tube with DART we recommend using only **PROTECTED button-top 18650 batteries made with trusted brand cells such as Panasonic, Sanyo, and/or LG**. Failure to do so may void warranty. Note: The body tubes can only work in one direction. If you find that your flashlight is not working with the tube attached, it is most likely backwards. Turn it around and try again.

RECHARGING YOUR DART: You can use the supplied magnetic USB charging cable to recharge the DART. Insert the larger standard USB end into a power source of your choice such as a computer/laptop USB port, or an AC adapter plug that you would use to recharge your mobile phone, and then attach the magnetic end to the side of the flashlight, opposite of the power switch. You may also unscrew the magnetic tailcap and remove the battery and charge it in an independent lithium-ion battery charger.

If you are using the battery extension tube accessory with a 18650 battery, we recommend using an independent lithium-ion battery charger to recharge the battery directly as the magnetic charging cable can take a very long time to recharge.

Note: Battery extension tubes, trusted brand 18650 batteries, and lithium-ion battery chargers are sold separately. Learn more at www.dapperdesign.com

WARNINGS

Never look directly into the flashlight or at the LED. Even at lower settings, DART's LED can be extremely bright: at its 750-lumen maximum, DART can temporarily blind and cause eye injuries.

The self-defense strobe can cause seizures. Please use it with extreme caution.

Only use protected lithium-ion batteries that contain reputable brand-name cells such as Panasonic, Sanyo, Samsung, LG, and Sony. You can also purchase approved batteries on our website www.dapperdesign.com

TROUBLESHOOTING

If your flashlight does not turn on without the magnetic charging cable attached then try the following steps before contacting us:

1. Make sure the tailcap is tightened (turn clockwise to tighten, turn counter-clockwise to loosen/remove). Each flashlight is tested before shipping and the tailcap is left loose for safety purposes. In some cases the body tube may have also been installed backwards.
2. Remove the tailcap from the body tube, remove the body tube from the head, and then flip it around. It is possible that the body tube needs to be reversed.
3. Remove the tailcap, battery, and body tube and with a lint-free cloth, use isopropyl alcohol to clean the metal terminals to remove dirt, oil, or residue.
4. If you have another battery that you know is working, switch out the battery to see if the battery is defective.
5. If you tried to activate the Self-Defense mode and the flashlight appears to have stopped working or "died". It is actually LOCKED out. Please UNLOCK by clicking 4 times quickly.

Contact us if you are still having trouble.

CONTACT / WARRANTY

EpicForged by Dapper Design warrants that its products will be free from defects in material and workmanship for 2 years. Dapper Design's liability is limited to the original purchase price of the product and does not cover normal wear and tear, or damage resulting from abuse, alterations, unauthorized repairs and/or modifications, cosmetics, color variations, or batteries.

This limited 2-year warranty excludes lithium-ion batteries, chargers, switches, and electronics, which have a 1-year warranty with proof of purchase. Problems that are caused by abuse, misuse, water damage, or an act of God (such as a flood) are not covered. Consequential and incidental damages are not recoverable under this warranty.

To obtain warranty service, please contact us by email **support@dapperdesign.com**. If you choose to send us a text message from the website, please be sure to include your full name and/or order number. When ready, package your item(s) being returned and include a note of reason for returning, your full name, address, and contact number. **For USA customers we will provide a return label. If we find that there was no defect with your returned product, you will be charged \$15 (USA customers) or \$25 (International customers) to cover the cost of both inbound and outbound shipping fees that we incurred.**

Mail approved warranty claims to:

Dapper Design
6285 E Spring Street #552
Long Beach, CA 90808 USA

© 2024 Dapper Design, LLC. All Rights Reserved.
User Guide Revision 7.0

Please visit <https://dapperdesign.com/pages/user-guides> to download the latest revisions.