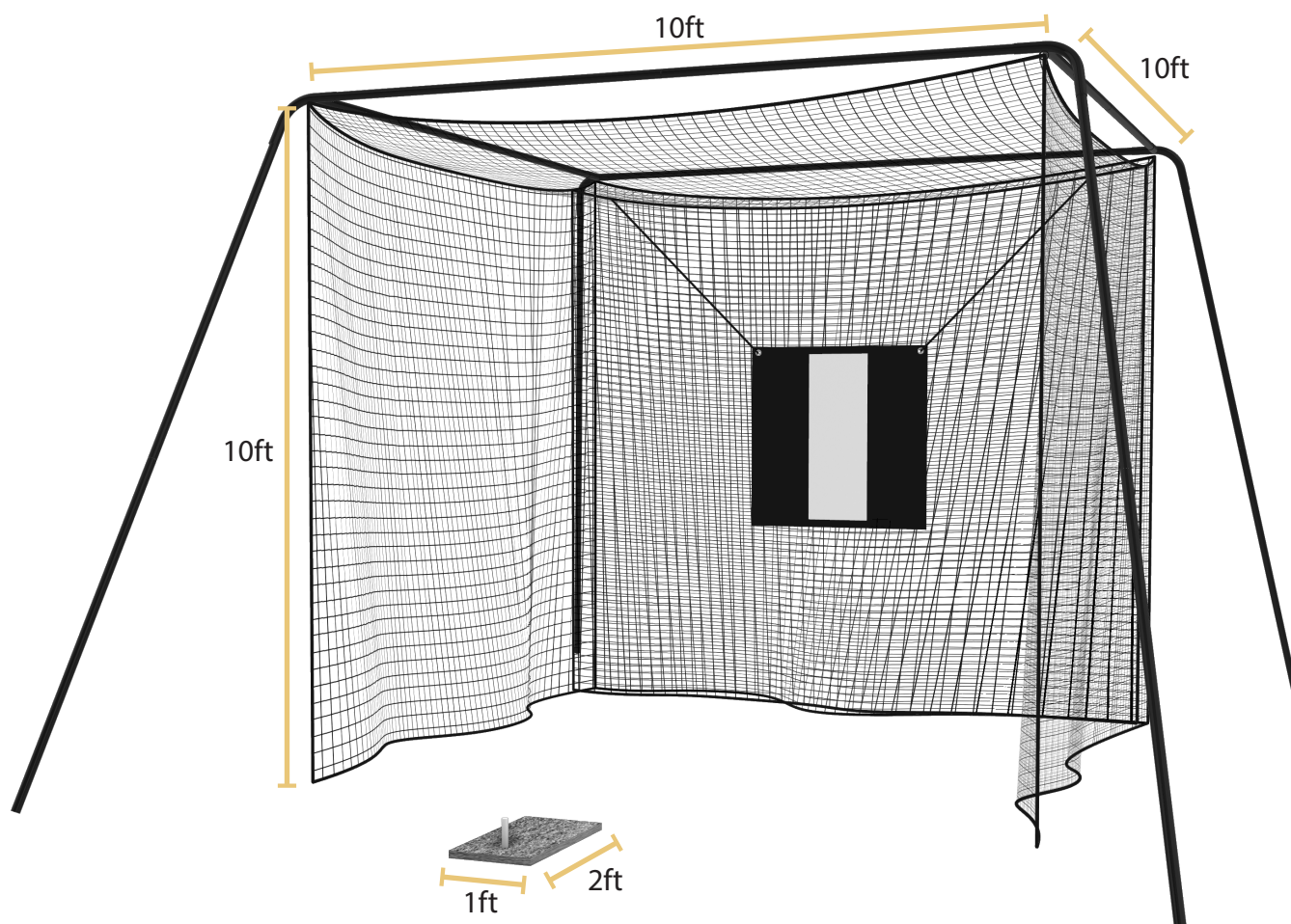


THE HURRICANE GOLF CAGE ASSEMBLY INSTRUCTIONS



ABOUT THE CAGE

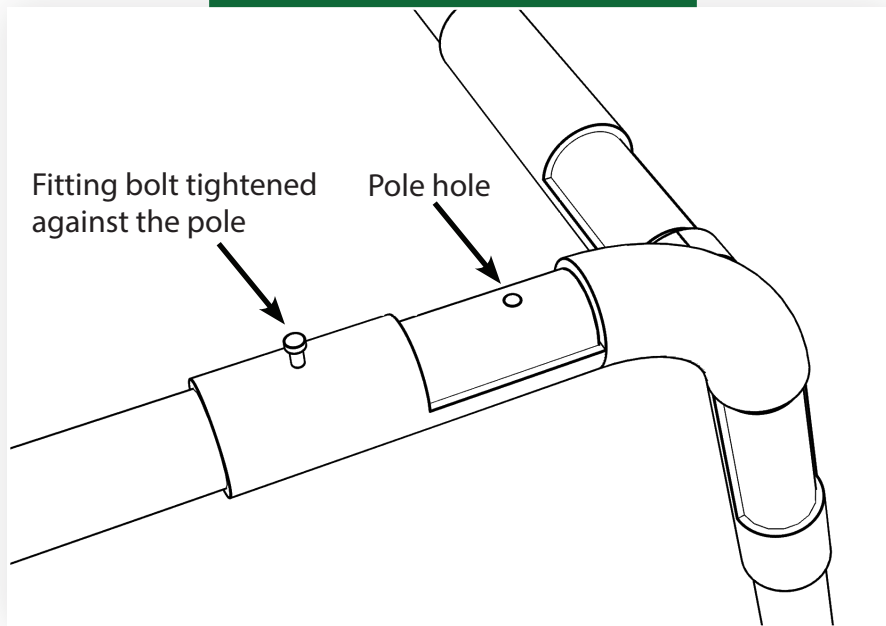
The Hurricane golf cage is one of our complete golf cage packages. It includes a 10x10x10 net, 10x10 impact panel, pole kit, corner kit, target, 1x2 mat, and stakes. Pole size consists of 1-3/8" OD and are broken up into 5ft sections for easy storing.

THE HURRICANE GOLF CAGE ASSEMBLY INSTRUCTIONS

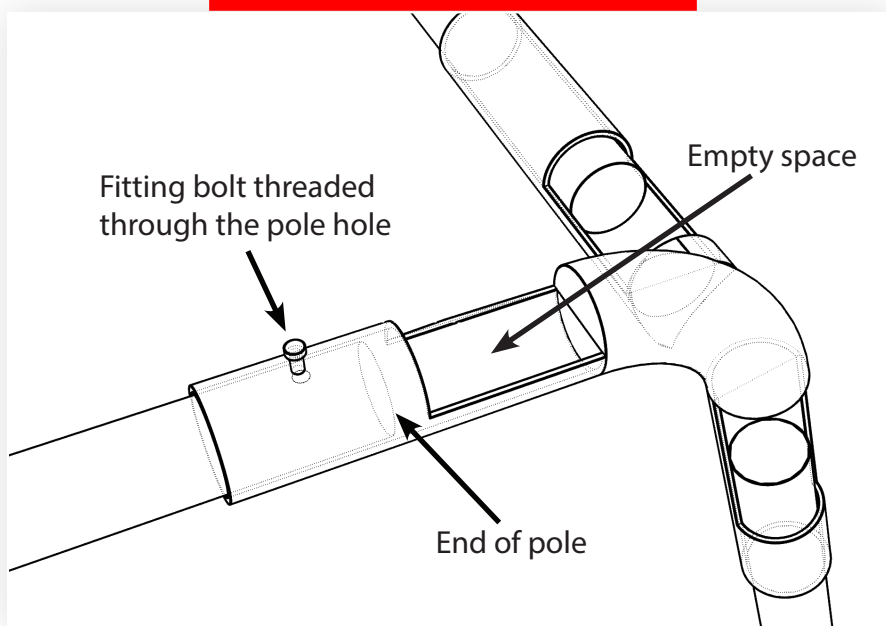
IMPORTANT:

Make sure to insert the ends of the poles completely into their respective 3 and 2-way fittings. DO NOT attempt to thread the supplied bolts through the holes in the ends of the poles. This will enlarge the frame unnecessarily, make the frame weaker, and will interfere with the proper fitting of your net (see diagrams below).

CORRECT



INCORRECT



THE HURRICANE GOLF CAGE ASSEMBLY INSTRUCTIONS

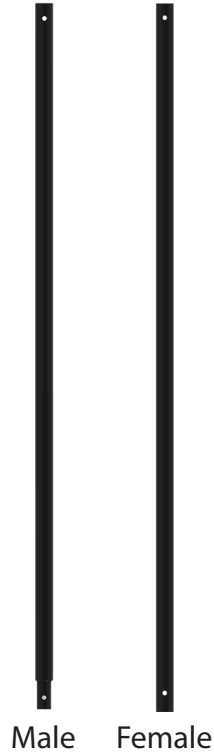
BEFORE YOU BEGIN

Read these instructions fully before starting the assembly process. Please make sure you have all of your parts and pieces. If not, contact our customer service.

What's Included

- (4) 3-way fittings
- (8) Female pole each
- (8) Male pole each
- (1) 9'6" x 9'6" x 9'6" HDPE net
- (1) 10x10 Nylon impact panel
- (1) 3x3 Black & white target
- (2) 6ft Target hanging cords
- (1) 1x2 Medium duty mat
- (8) Ground Stakes
- (12) Zip ties
- (30) Hanging cords
- (1) Rubber Tee

3-way fitting



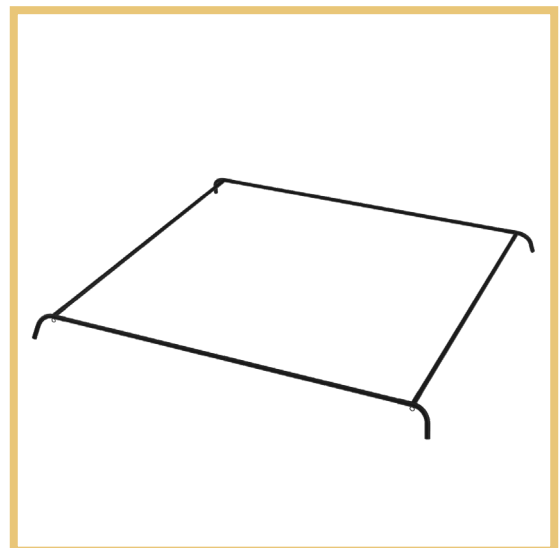
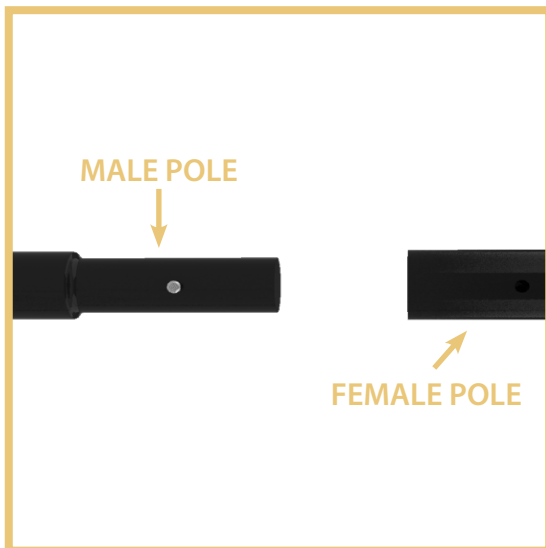
Male Female

1) Assemble the Pole Sections

Begin by assembling the 4 sections using the supplied male and female poles. Simply insert a male pole with a reduced end and spring button into a female pole with a hole on one end, making sure the spring button pops up and locks into the hole.

2) Begin Frame Assembly

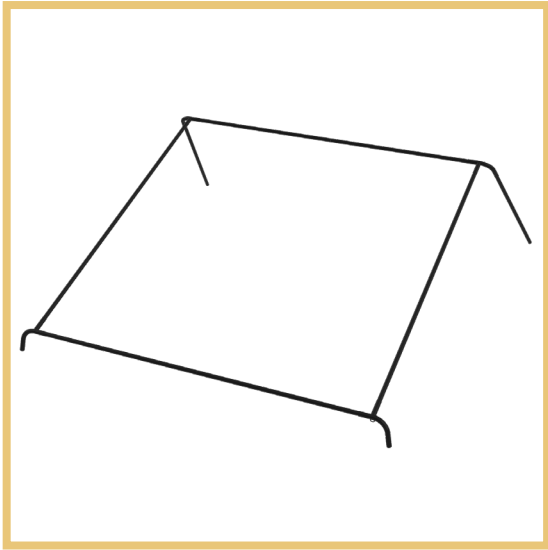
Press the tubing all the way into the fittings. Hand tighten the fitting set screws. Do **NOT** line up the holes in the poles with the screws (see page 2).



THE HURRICANE GOLF CAGE ASSEMBLY INSTRUCTIONS

3) Add Vertical Poles

Begin adding female poles into the fittings. Once you have added the poles your cage should be about 5ft tall.



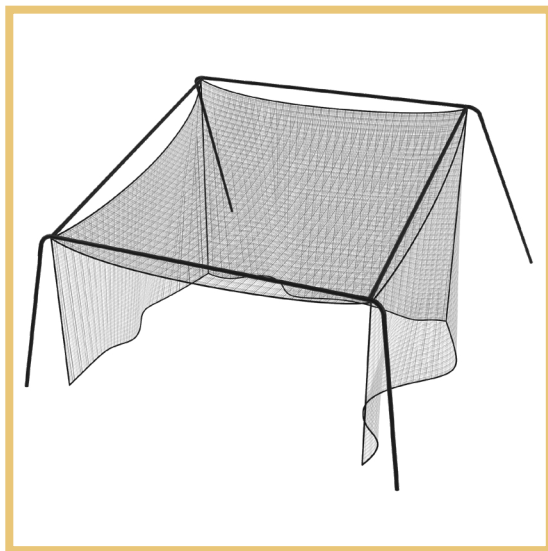
4) Hang the Net

Lay out the net at the center of the framework. Orient the net so that the extra rope at the top of the net is at the back of the cage. Using the hanging cords secure the corners of the net to the loops on the fittings (see below). Continue fastening the upper perimeter of the net with the remaining cords.



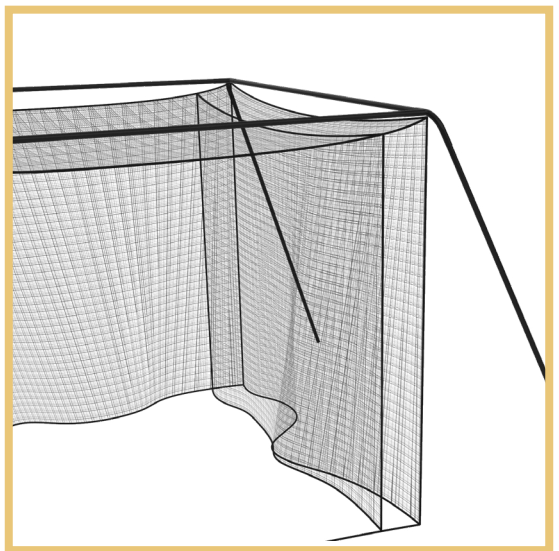
5) Add the Remaining Vertical Poles

Connect the remaining male poles to the female legs. Start on one side of the frame then repeat on the other side. A second person might be needed for this step.



6) Hang the Impact Panel

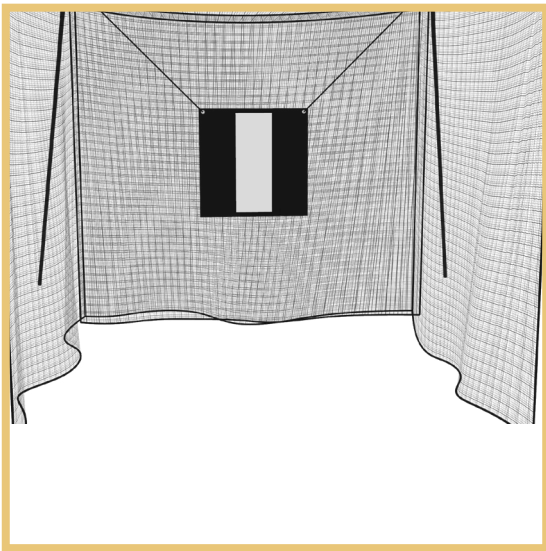
Using the zip ties, fasten the impact panel to the top rope border. The rope border will be located a few inches in front of the back perimeter border.



THE HURRICANE GOLF CAGE ASSEMBLY INSTRUCTIONS

7) Hang the Target

Attach the target with the two 6ft hanging cords from the grommets to the top corners of the cage at the desired height.



8) Stake Down the Cage

Drive the stakes down through the hole in the bottom of the pole into the ground. Use the 4 extra stakes to hold down the corners of the net that touches the ground. Free standing frames are not designed to withstand high winds or snow. Netting can act like a sail, placing tremendous torque on corner fittings. If your cage will be placed in an area exposed to wind, guy wire the cage securely to the ground.



IMPORTANT NOTE

Netting products are naturally under some tension. The heavier the net the greater the tension. In order to keep the cage from being too tight, it is important to let the net hang inside the framework. Do not pull the net tight to the frame - let it hang loose. Over the next few weeks the netting will relax, and you can slowly snug the net tighter.