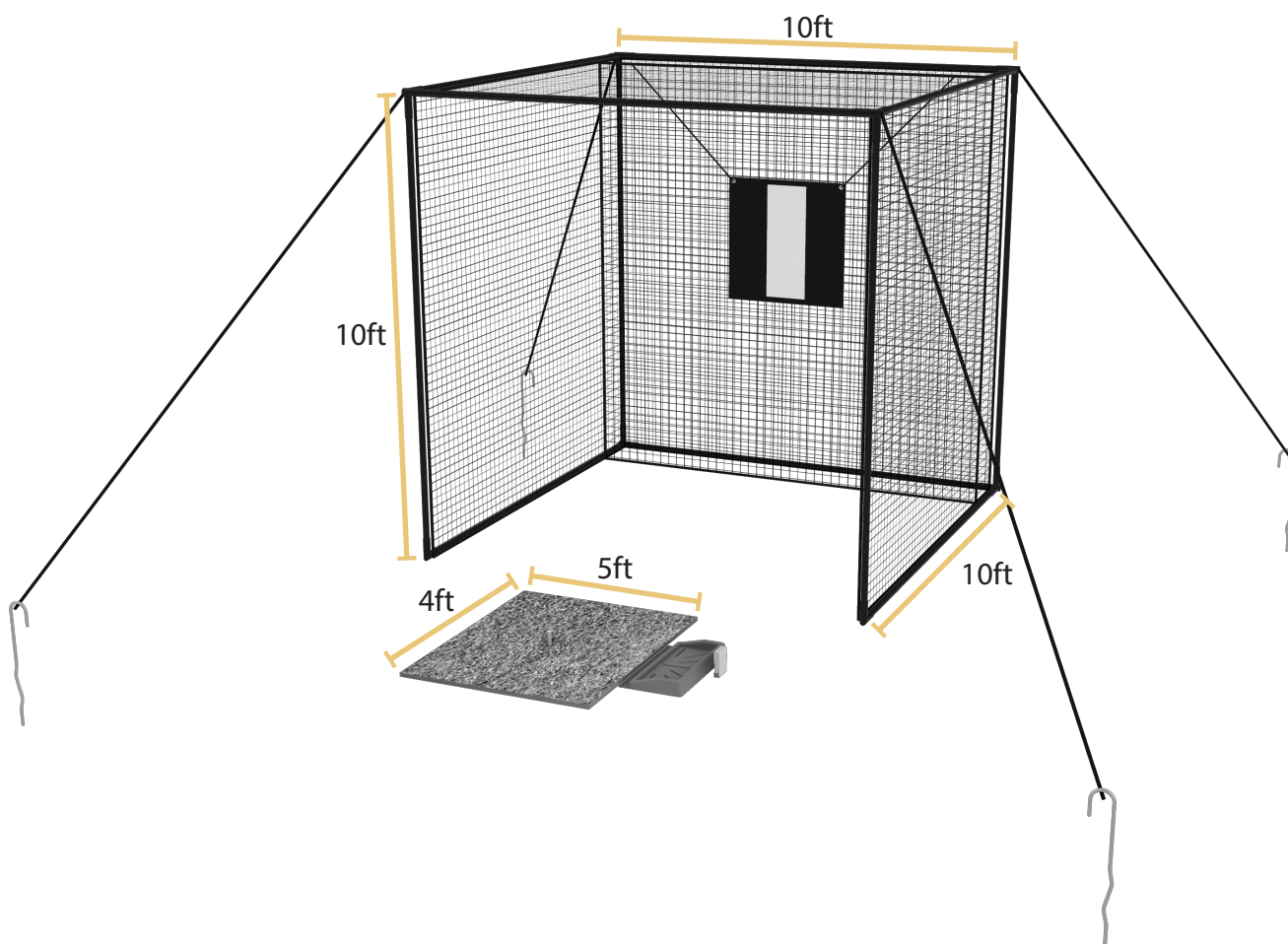


# THE BENTLEY GOLF CAGE ASSEMBLY INSTRUCTIONS



## ABOUT THE CAGE

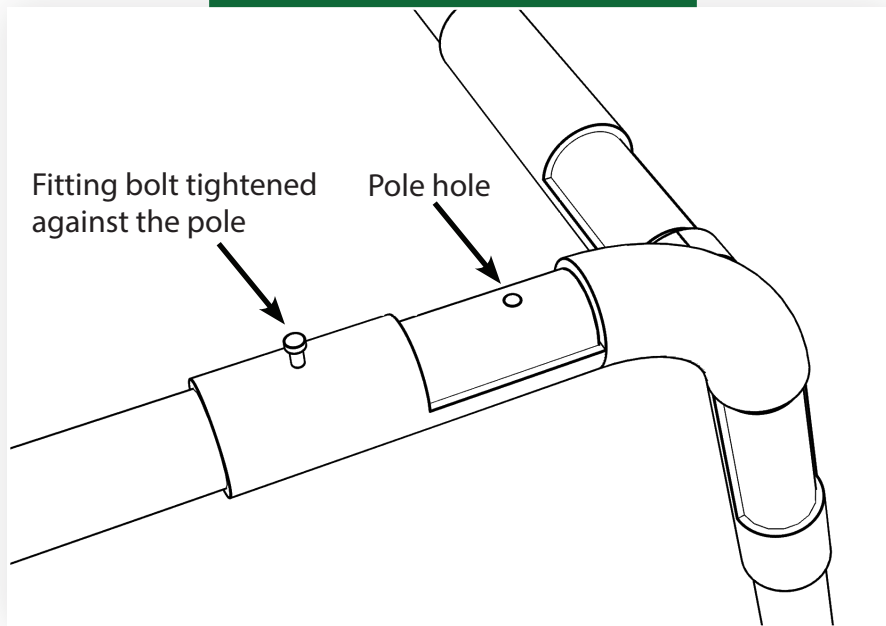
The Bentley golf cage is one of our complete golf cage packages. It includes a 10x10x10 net, 10x10 impact panel, pole kit, corner kit, stake down kit, swing speed radar, target, 4x5 mat, and golf ball tray. Pole size consists of 1-5/8" OD and are broken up into 5ft sections for easy storing.

# THE BENTLEY GOLF CAGE ASSEMBLY INSTRUCTIONS

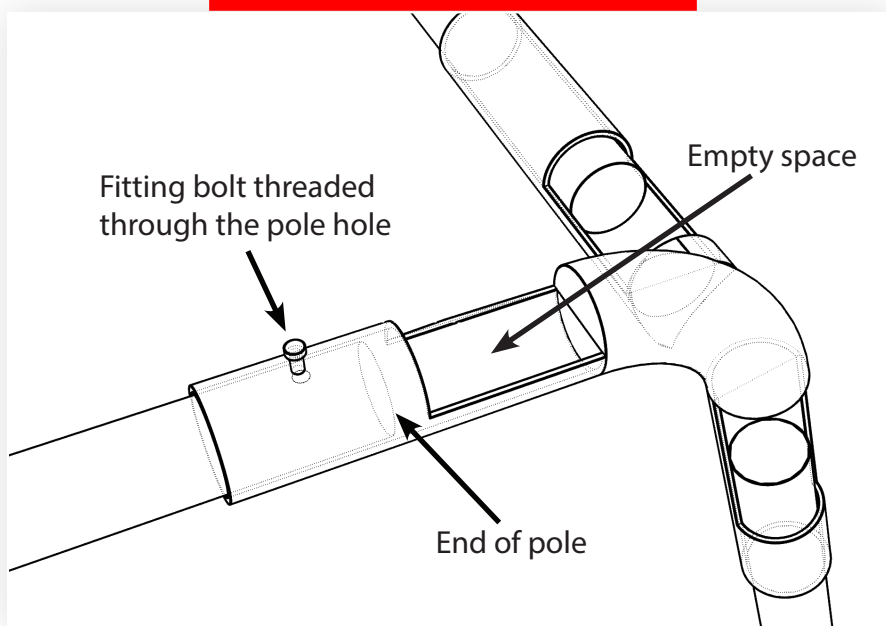
**IMPORTANT:**

Make sure to insert the ends of the poles completely into their respective 3 and 2-way fittings. DO NOT attempt to thread the supplied bolts through the holes in the ends of the poles. This will enlarge the frame unnecessarily, make the frame weaker, and will interfere with the proper fitting of your net (see diagrams below).

**CORRECT**



**INCORRECT**

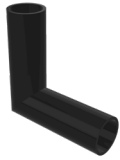


# THE BENTLEY GOLF CAGE ASSEMBLY INSTRUCTIONS

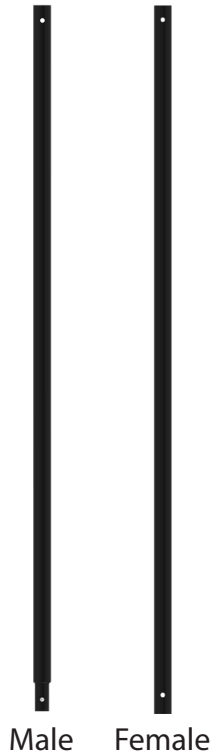
## BEFORE YOU BEGIN

Read these instructions fully before starting the assembly process. Please make sure you have all of your parts and pieces. If not, contact our customer service.

2-way fitting



3-way fitting



## What's Included

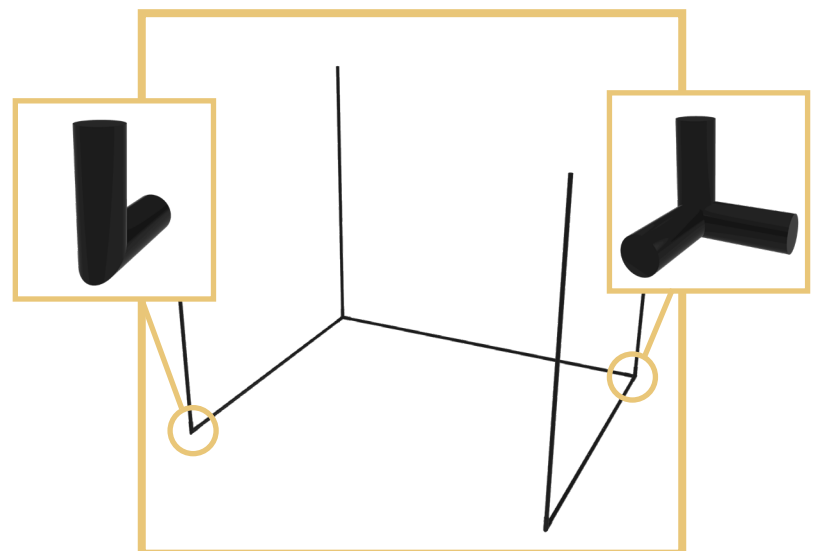
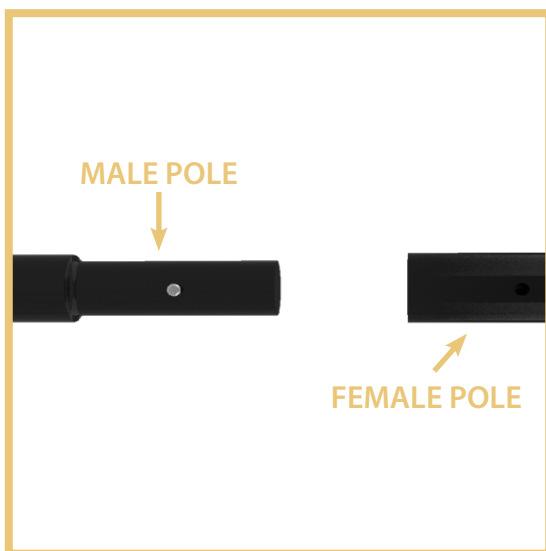
- (2) 2-way fittings
- (6) 3-way fittings
- (11) 59" Female pole each
- (11) 59" Male pole each
- (1) 10x10x10 Nylon net
- (1) 10x10 Delta impact panel
- (1) 3x3 Black & white target
- (2) 6ft Target hanging cords
- (1) 4x5 Super duty mat
- (1) Golf tray
- (12) Zip ties
- (30) Hanging cords
- (4) Ground stakes
- (1) Swing Speed Radar

## 1) Assemble the Pole Sections

Begin by assembling the 11 sections using the supplied male and female poles. Simply insert a male pole with a reduced end and spring button into a female pole with a hole on one end, making sure the spring button pops up and locks into the hole.

## 2) Begin Frame Assembly

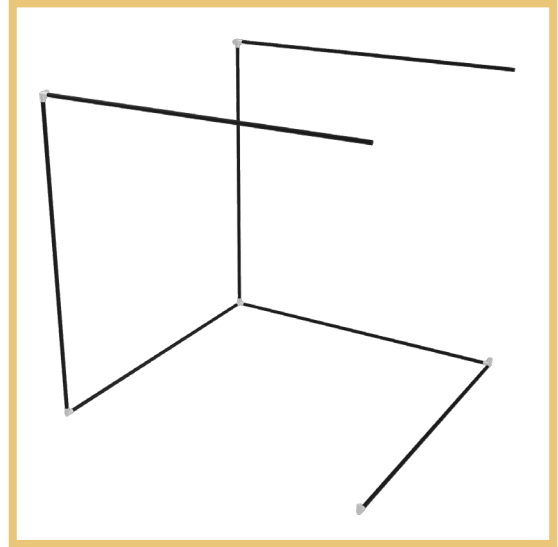
Start from the bottom and work upwards. Press the tubing all the way into the fittings. Hand tighten the fitting set screws. Do **NOT** line up the holes in the poles with the screws (see page 2). Once the bottom corners are secure, insert and tighten the vertical poles.



# THE BENTLEY GOLF CAGE ASSEMBLY INSTRUCTIONS

## Important Note:

Fittings CANNOT support the weight of unsupported poles. It is important to have at least two people so that both ends can be supported during the installation process. Do not attempt to flip the frame over after assembly.

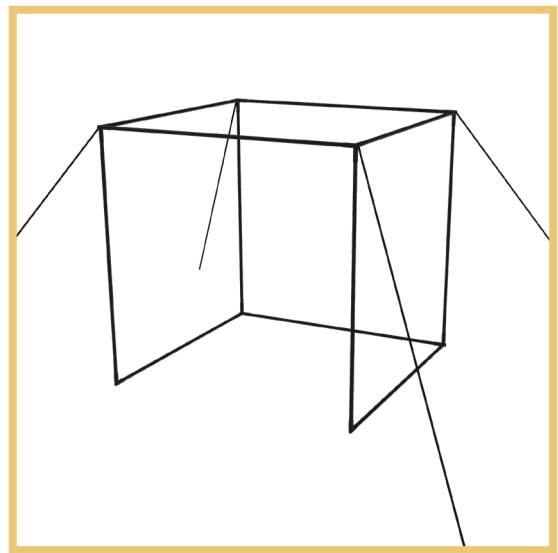
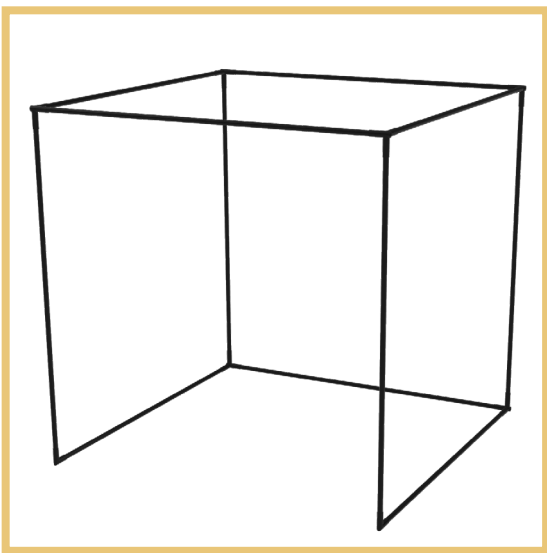


## 3) Assemble the Top

Secure the top fittings onto the vertical poles and insert poles. Make sure to keep the ends of the poles supported as you go. **If you purchased a net separately continue to the next step.**

## 4) Got Wind?

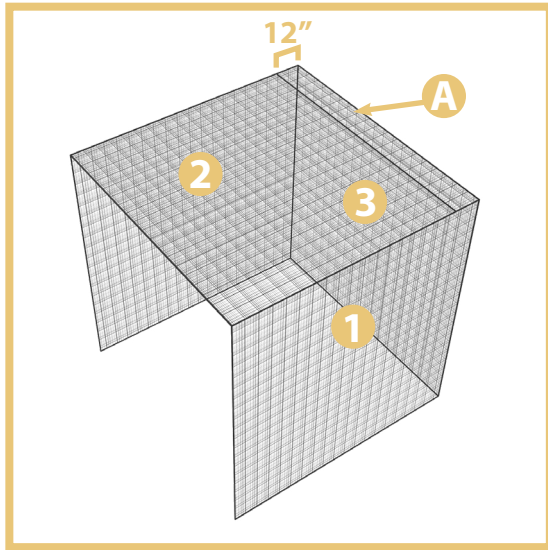
Free standing frames are not designed to withstand high winds or snow. Netting can act like a sail, placing tremendous torque on corner fittings. If your cage will be placed in an area exposed to wind, guy wire the cage securely to the ground or use our stake down kit (sold separately).



# THE BENTLEY GOLF CAGE ASSEMBLY INSTRUCTIONS

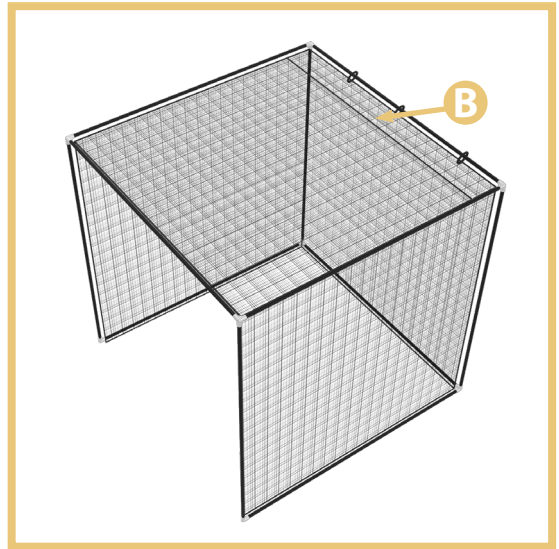
## 5) Locate the Top of Your Net

After removing the netting from the packaging, locate the top panel of the net. The top panel will be connected to 3 adjacent panels AND will contain an additional rope seam about 12" from the corners **A**. This rope is where you will connect your impact panel with the provided zip ties.



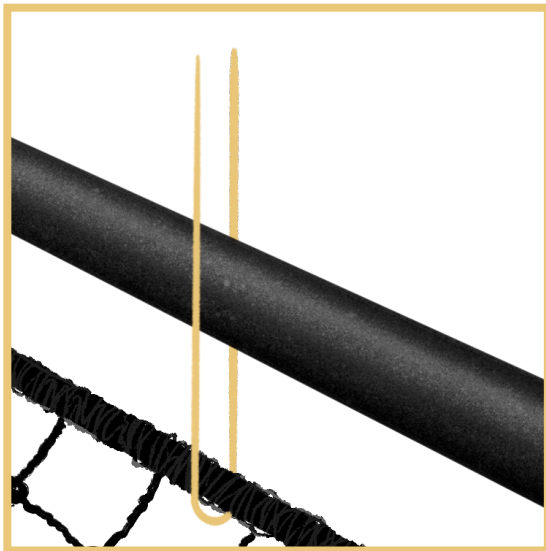
## 6) Hang the Net Inside the Frame

Start with the back seam **B**. The cage should be hung inside the frame. Let the net hang **loose**. Do not secure it tightly to the frame.



## 7) Use Cords to Secure the Net

Start by looping the cord around the rope border. Do not loop the cord through the squares in the netting.



## 8) Use Both Ends of the Cord and Make a Knot Around the Frame

Pull both ends of the cord around the frame and make a loop out of the two ends. Pull both ends back through the loop and snug into a knot. Make sure to leave the net hanging at least 8" off the frame.



# THE BENTLEY GOLF CAGE ASSEMBLY INSTRUCTIONS

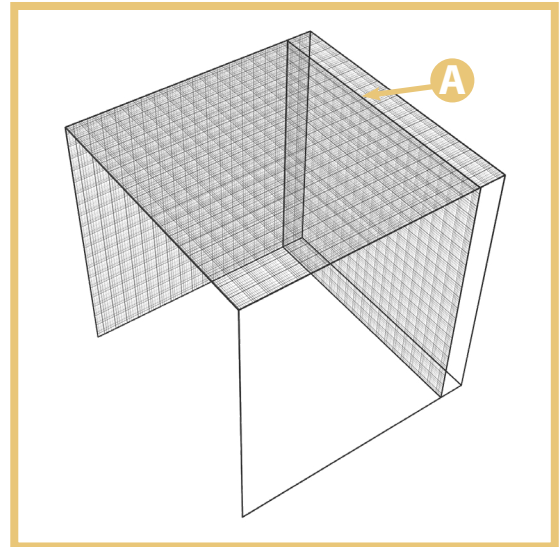
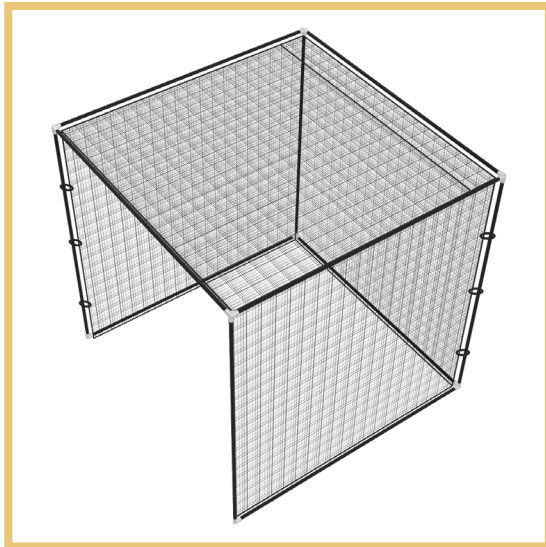
## 9) Repeat Step 2 for Vertical Poles

Use the cords to secure the cage to the vertical poles. Do not tighten the net to the frame. Let it hang loose.

## 10) Hang Impact Panel (if applicable)

Use the provided small zip ties to hang the impact panel from the rope **A**.

**IMPORTANT:** Don't hang anything directly from the meshes of the netting. Only attach to the rope border.



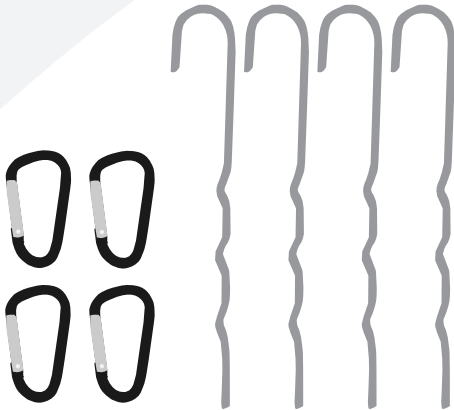
### IMPORTANT NOTE

Netting products are naturally under some tension. The heavier the net the greater the tension. In order to keep the cage from being too tight, it is important to let the net hang inside the framework. Do not pull the net tight to the frame - let it hang loose. Over the next few weeks the netting will relax, and you can slowly snug the net tighter.

# THE BENTLEY GOLF CAGE ASSEMBLY INSTRUCTIONS

## BEFORE YOU BEGIN

Read these instructions fully before starting the assembly process. Please make sure you have all of your parts and pieces. If not, contact our customer service.



## What's Included

- (4) Kinked stakes
- (1) 300ft Rope
- (4) Carabiner clips

### 1) Cut the Rope & Tie

Cut the rope into 4 sections that are approximately 25ft long. At one end of the rope, double it over and tie a loop. Pull the loop around the frame corner as shown and pull the opposite end of the rope through the loop.



### 2) Attach Carabiners & Drive Stakes

At the opposite end of the rope, tie another loop and clip on a carabiner. Pull the rope tight at a 45° angle and drive the stake into ground using a rubber mallet or hammer. We recommend to tie a loop in the rope near the end of the stake in order to cinch the rope tightly and to allow for a bit of tension adjustment once all the stakes are in the ground.

