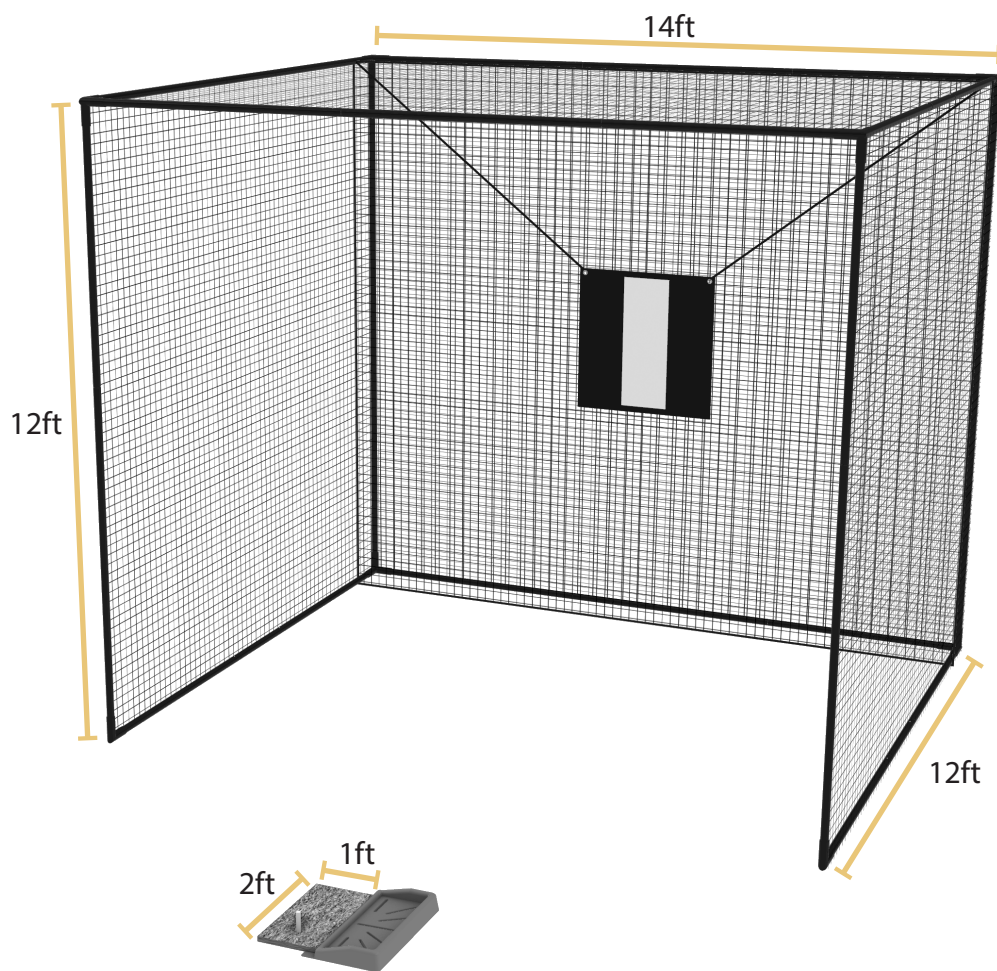


MONGO GOLF CAGE ASSEMBLY INSTRUCTIONS



ABOUT THE CAGE

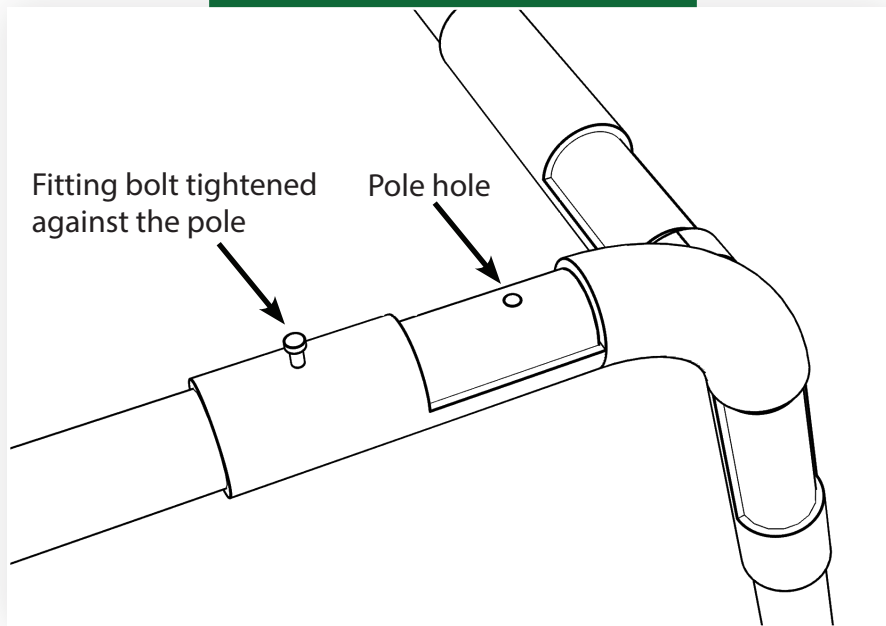
The Mongo golf cage is one of our complete golf cage packages. It includes a 12x14x12 net, 12x14 impact panel, pole kit, corner kit, target, 1x2 mat, and golf ball tray. Pole size consists of 1-5/8" OD and are broken up into 5ft sections for easy storing.

MONGO GOLF CAGE ASSEMBLY INSTRUCTIONS

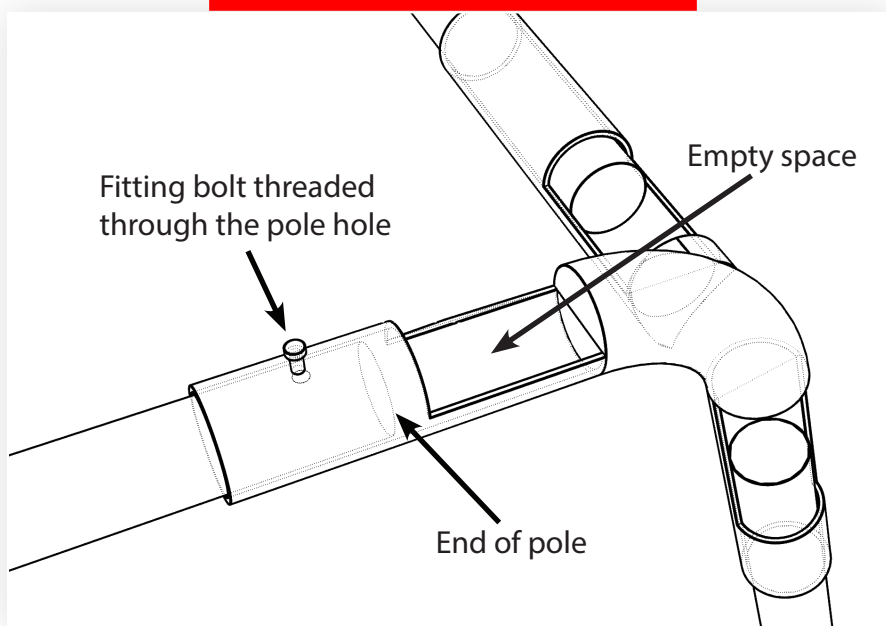
IMPORTANT:

Make sure to insert the ends of the poles completely into their respective 3 and 2-way fittings. DO NOT attempt to thread the supplied bolts through the holes in the ends of the poles. This will enlarge the frame unnecessarily, make the frame weaker, and will interfere with the proper fitting of your net (see diagrams below).

CORRECT



INCORRECT



MONGO GOLF CAGE ASSEMBLY INSTRUCTIONS

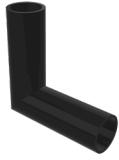
BEFORE YOU BEGIN

Read these instructions fully before starting the assembly process. Please make sure you have all of your parts and pieces. If not, contact our customer service.

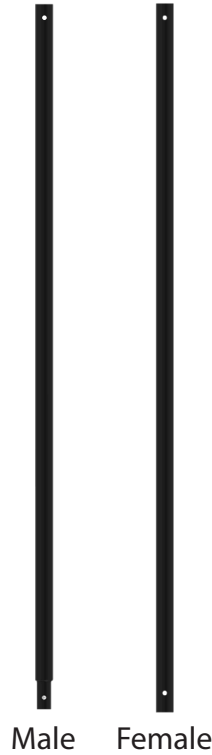
What's Included

- (2) 2-way fittings
- (6) 3-way fittings
- (11) 59" Female pole each
- (11) 59" Male pole each
- (8) 28.5" Male pole each
- (3) 52.5" Male pole each
- (1) 12x14x12 HDPE net
- (1) 12x14 Nylon impact panel
- (1) 3x3 Black & white target
- (2) 6ft Target Hanging Cords
- (1) 1x2 Medium duty mat
- (1) Golf tray
- (12) Zip ties
- (50) Hanging cords

2-way fitting

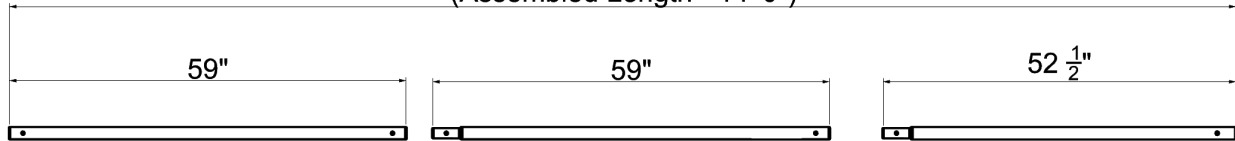


3-way fitting

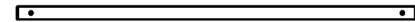


Cross Pole Set (Total of 3 Sets)

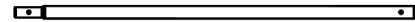
(Assembled Length - 14' 0")



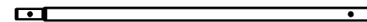
3 Pc- 59" Female pole



3 Pc- 59" Male pole

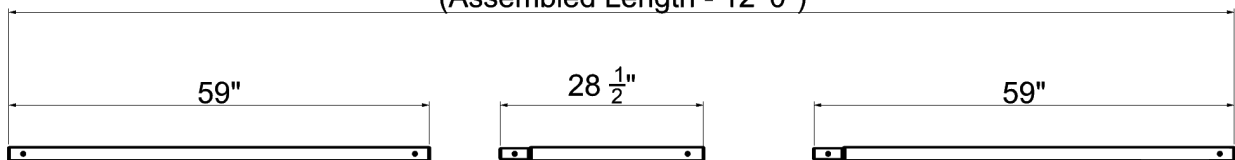


3 Pc- 52.5" Male pole



Vertical & Length Pole Set (Total of 3 Sets)

(Assembled Length - 12' 0")



3 Pc- 59" Female pole



3 Pc- 28.5" Male pole



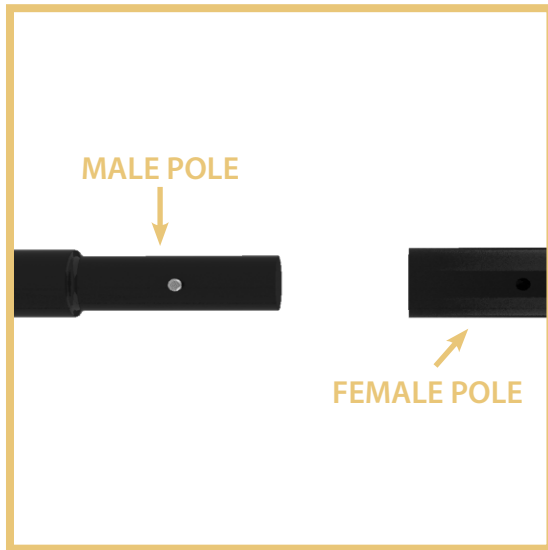
3 Pc- 59" Male pole



MONGO GOLF CAGE ASSEMBLY INSTRUCTIONS

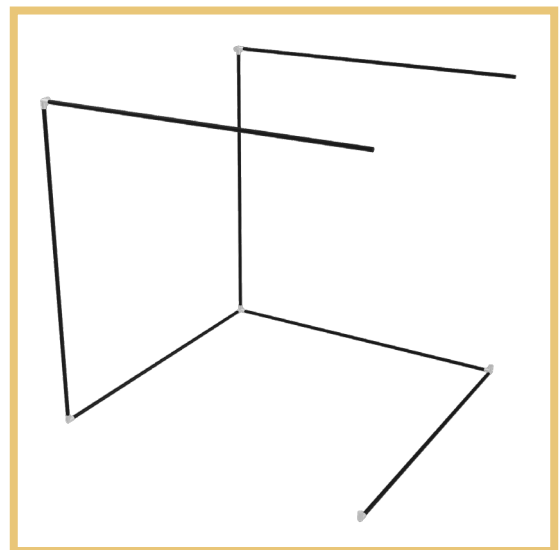
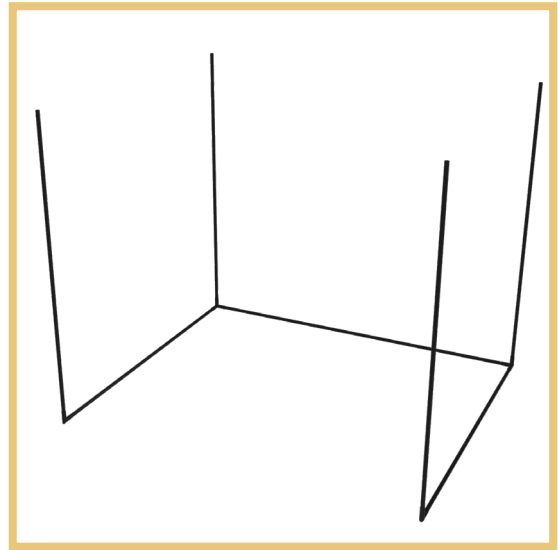
1) Assemble the Pole Sections

Begin by assembling the 11 sections using the supplied male and female poles while following the pole sections (page 3). Simply insert a male pole with a reduced end and spring button into a female pole with a hole on one end, making sure the spring button pops up and locks into the hole.



2) Begin Frame Assembly

Start from the bottom and work upwards. Press the tubing all the way into the fittings. Hand tighten the fitting set screws. Do **NOT** line up the holes in the poles with the screws (see page 2). Once the bottom corners are secure, insert and tighten the vertical poles.



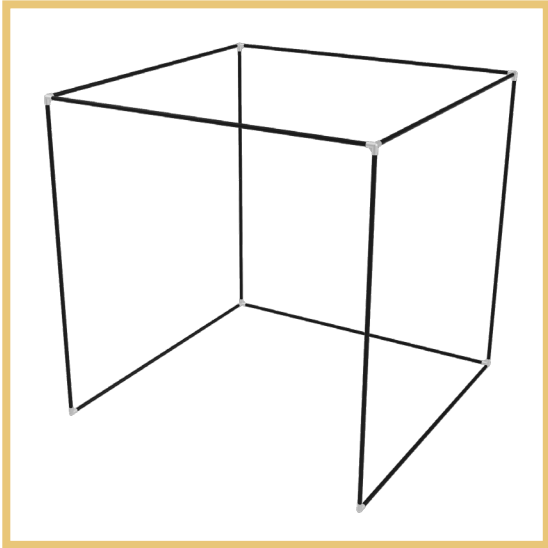
Important Note:

Fittings CANNOT support the weight of unsupported poles. It is important to have at least two people so that both ends can be supported during the installation process. Do not attempt to flip the frame over after assembly.

MONGO GOLF CAGE ASSEMBLY INSTRUCTIONS

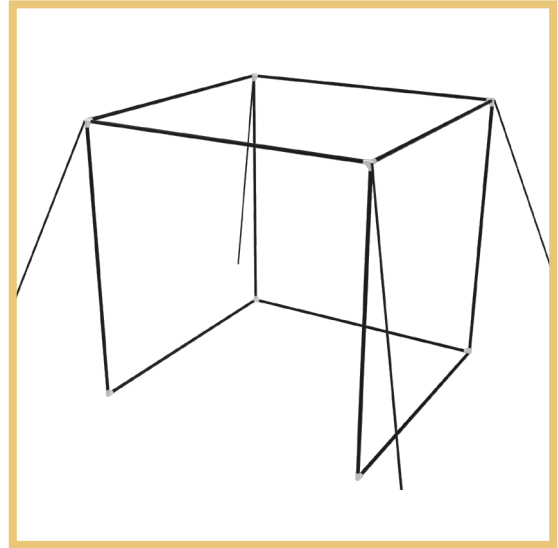
3) Assemble the Top

Secure the top fittings onto the vertical poles and insert poles. Make sure to keep the ends of the poles supported as you go.



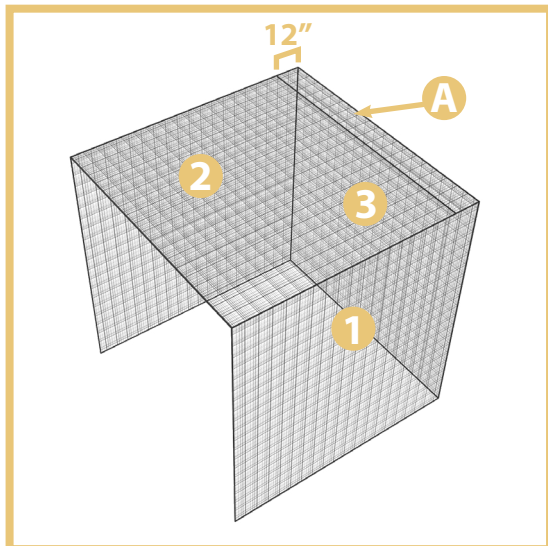
4) Got Wind?

Free standing frames are not designed to withstand high winds or snow. Netting can act like a sail, placing tremendous torque on corner fittings. If your cage will be placed in an area exposed to wind, guy wire the cage securely to the ground or use our stake down kit (sold separately).



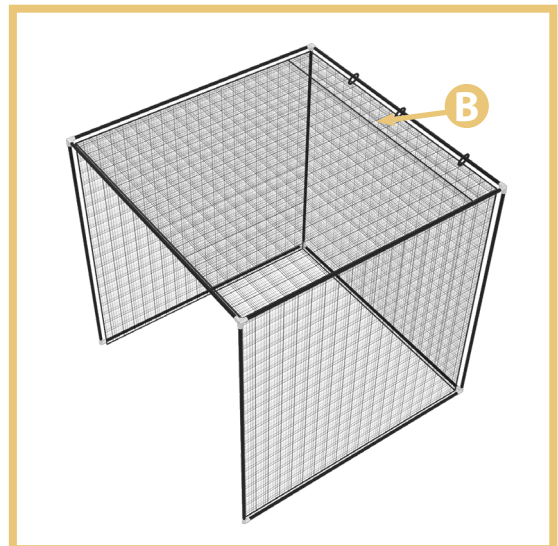
5) Locate the Top of Your Net

After removing the netting from the packaging, locate the top panel of the net. The top panel will be connected to 3 adjacent panels AND will contain an additional rope seam about 12" from the corners **A**. This rope is where you will connect your impact panel with the provided zip ties.



6) Hang the Net Inside the Frame

Start with the back seam **B**. The cage should be hung inside the frame. Let the net hang loose. Do not secure it tightly to the frame.



MONGO GOLF CAGE ASSEMBLY INSTRUCTIONS

7) Use Cords to Secure the Net

Start by looping the cord around the rope border. Do not loop the cord through the squares in the netting.



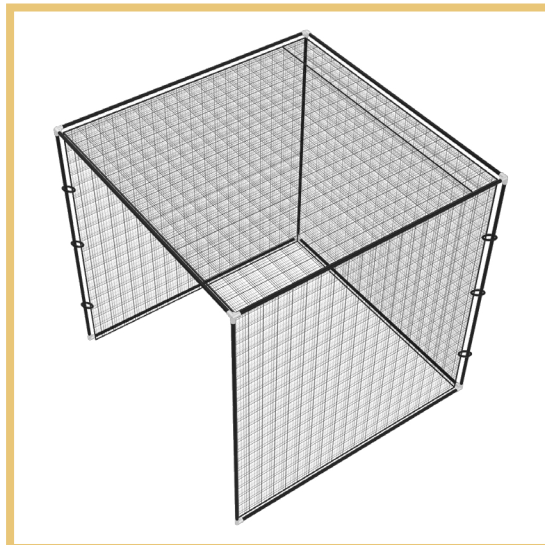
8) Use Both Ends of the Cord and Make a Knot Around the Frame

Pull both ends of the cord around the frame and make a loop out of the two ends. Pull both ends back through the loop and snug into a knot. Make sure to leave the net hanging at least 8" off the frame.



9) Repeat Step 2 for Vertical Poles

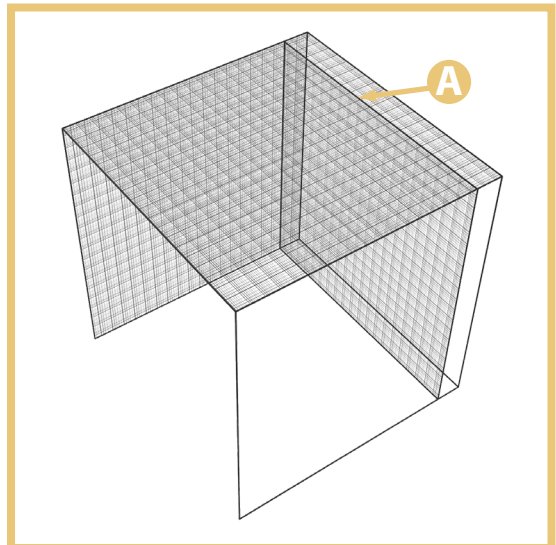
Use the cords to secure the cage to the vertical poles. Do not tighten the net to the frame. Let it hang loose.



10) Hang the Impact Panel

Use the provided small zip ties to hang the impact panel from the rope **A**.

IMPORTANT: Don't hang anything directly from the meshes of the netting. Only attach to the rope border.



MONGO GOLF CAGE ASSEMBLY INSTRUCTIONS



IMPORTANT NOTE

Netting products are naturally under some tension. The heavier the net the greater the tension. In order to keep the cage from being too tight, it is important to let the net hang inside the framework. Do not pull the net tight to the frame - let it hang loose. Over the next few weeks the netting will relax, and you can slowly snug the net tighter.