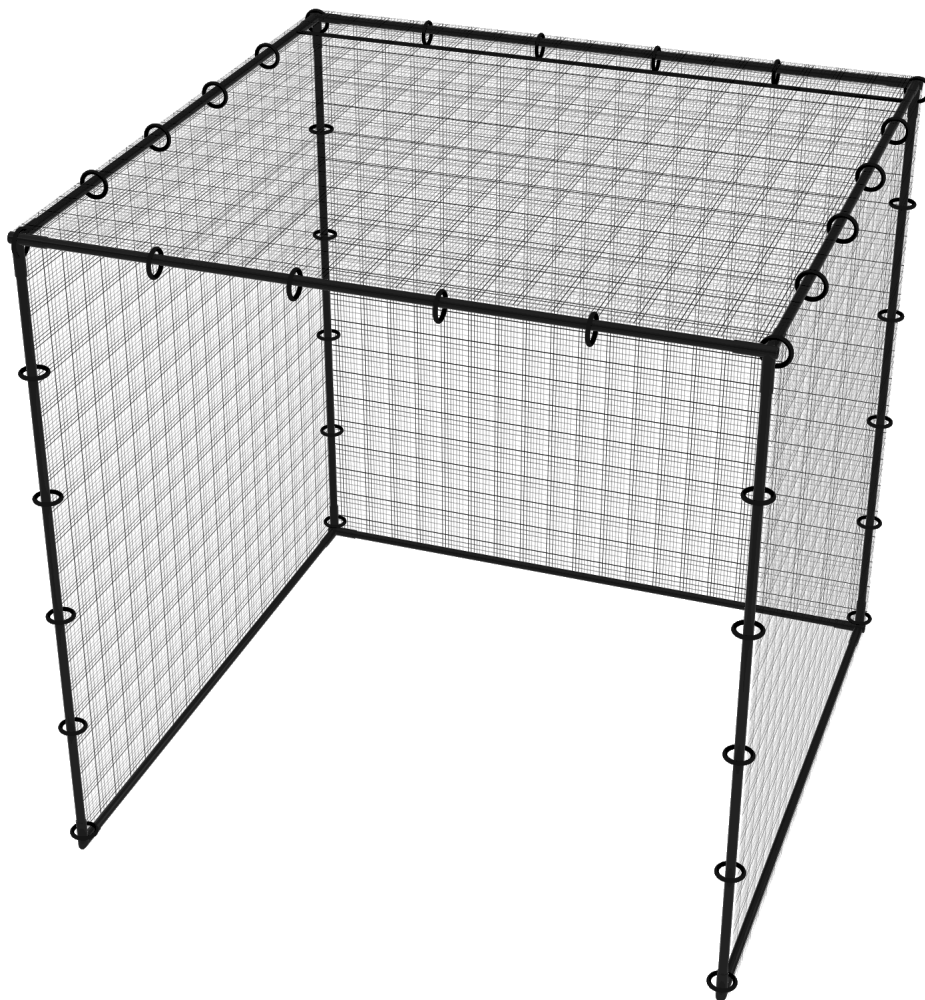


# HOW TO HANG YOUR GOLF CAGE NET INSTRUCTIONS



## ABOUT THE NETS

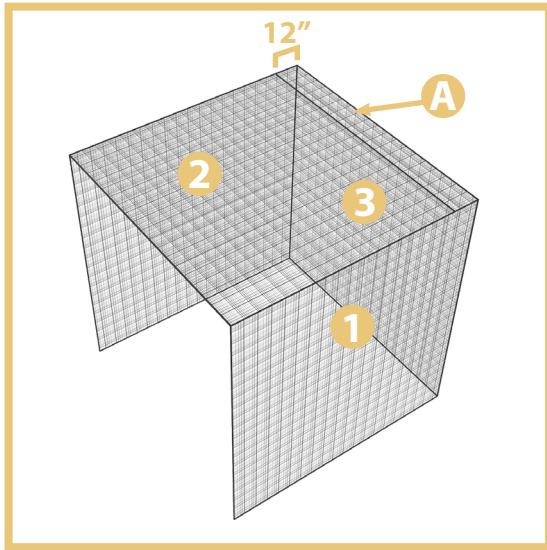
When purchasing a golf cage net (either nylon or HDPE) there is an option for color (black or green) and an option to include an impact panel. This manual is for hanging your net on one of our frames or a similar one. To hang your net you will need a hanging kit and bungee loops found on [parbuster.com](http://parbuster.com) and zip ties.

# HOW TO HANG YOUR GOLF CAGE NET INSTRUCTIONS

## 1) Locate the Top of Your Net

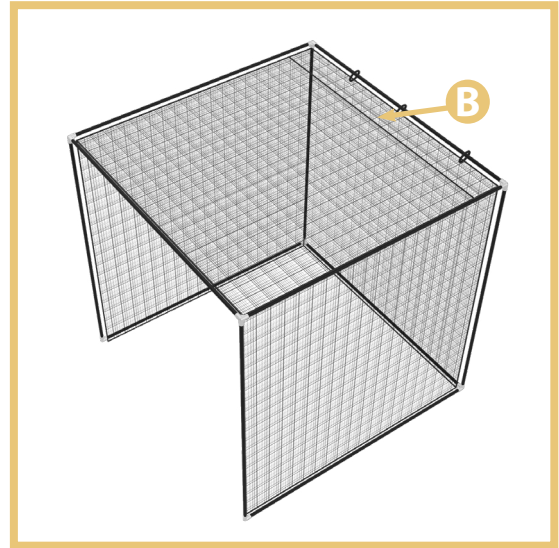
After removing the netting from the packaging, locate the top panel of the net.

The top panel will be connected to 3 adjacent panels AND will contain an additional rope seam about 12" from the corners **A**. This rope is where you will connect your impact panel with zip ties.



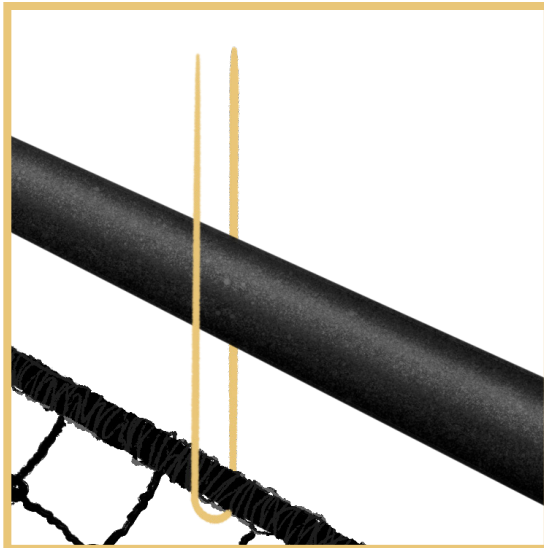
## 2) Hang the Net Inside the Frame

Start with the back seam **B**. The cage should be hung inside the frame. Let the net hang loose. Do not secure it tightly to the frame.



## 3) Use Cords to Secure the Net

Start by looping the cord around the rope border. Do not loop the cord through the squares in the netting.



## 4) Use Both Ends of the Cord and Make a Knot Around the Frame

Pull both ends of the cord around the frame and make a loop out of the two ends. Pull both ends back through the loop and snug into a knot. Make sure to leave the net hanging at least 8" off the frame.



# THE HARLEY GOLF CAGE ASSEMBLY INSTRUCTIONS

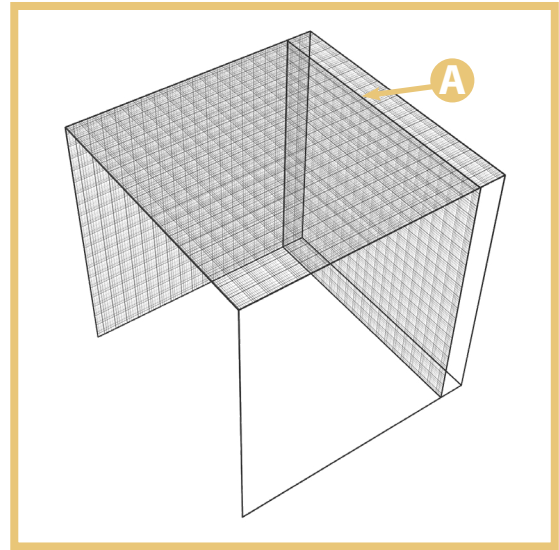
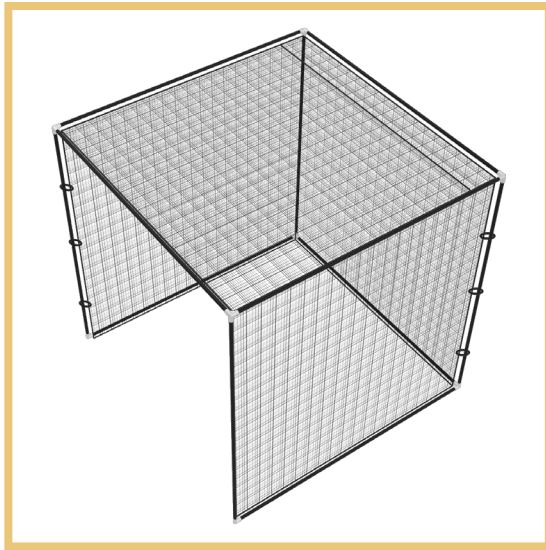
## 5) Repeat Step 2 for Vertical Poles

Use the cords to secure the cage to the vertical poles. Do not tighten the net to the frame. Let it hang loose (see important note below).

## 6) Hang the Impact Panel (If Purchased)

Use zip ties to hang the impact panel from the rope border **A**.

**IMPORTANT:** Don't hang anything directly from the meshes of the netting. Only attach to the rope border.



### **IMPORTANT NOTE**

Netting products are naturally under some tension. The heavier the net the greater the tension. In order to keep the cage from being too tight, it is important to let the net hang inside the framework. Do not pull the net tight to the frame - let it hang loose. Over the next few weeks the netting will relax, and you can slowly snug the net tighter.