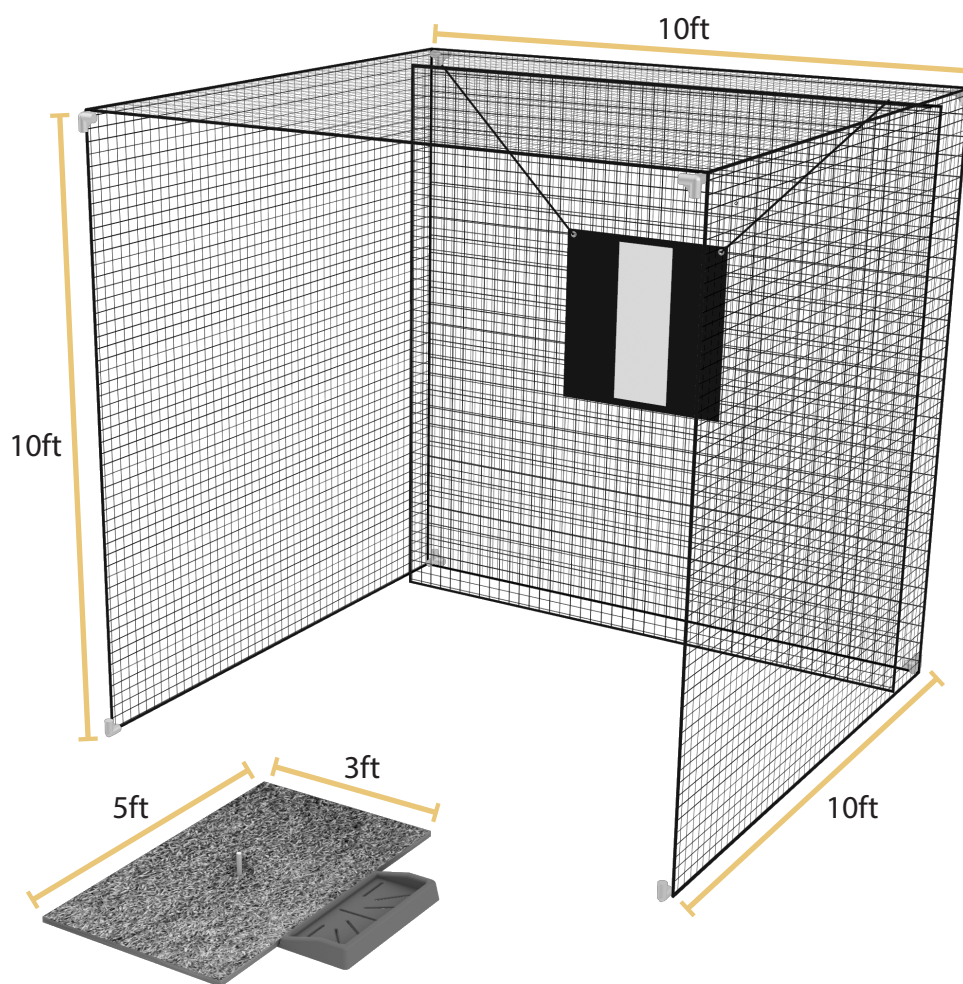


HD COMMERCIAL GOLF CAGE ASSEMBLY INSTRUCTIONS



ABOUT THE CAGE

The HD Commercial golf cage is one of our golf cage packages. It includes a 10x10x10 net, 10x10 impact panel, corner kit, target, 3x5 mat, and golf ball tray.

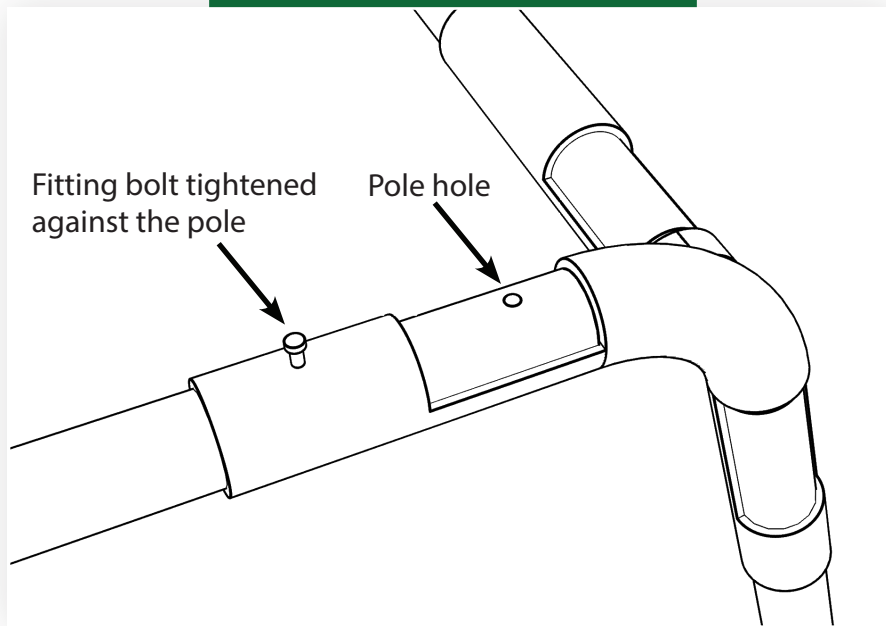
Note: Poles are NOT included in this package. You can purchase the 1-3/8" OD poles on our website or at a local store like Home Depot or Lowes.

HD COMMERCIAL GOLF CAGE ASSEMBLY INSTRUCTIONS

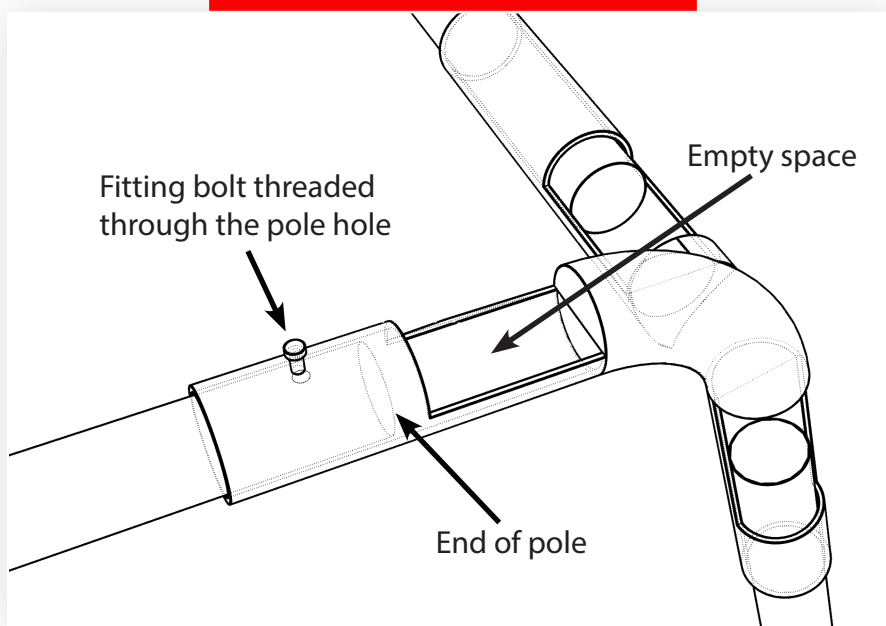
IMPORTANT:

Make sure to insert the ends of the poles completely into their respective 3 and 2-way fittings. DO NOT attempt to thread the supplied bolts through the holes in the ends of the poles. This will enlarge the frame unnecessarily, make the frame weaker, and will interfere with the proper fitting of your net (see diagrams below).

CORRECT



INCORRECT



HD COMMERCIAL GOLF CAGE ASSEMBLY INSTRUCTIONS

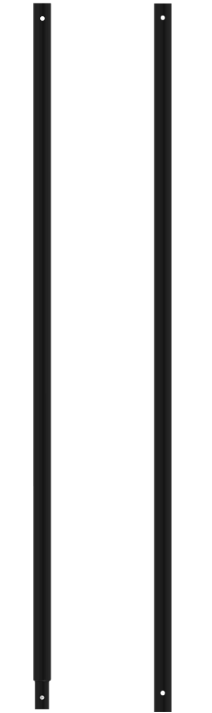
BEFORE YOU BEGIN

Read these instructions fully before starting the assembly process. Please make sure you have all of your parts and pieces. If not, contact our customer service.

2-way fitting



3-way fitting



Male Female
(Not included)

What's Included

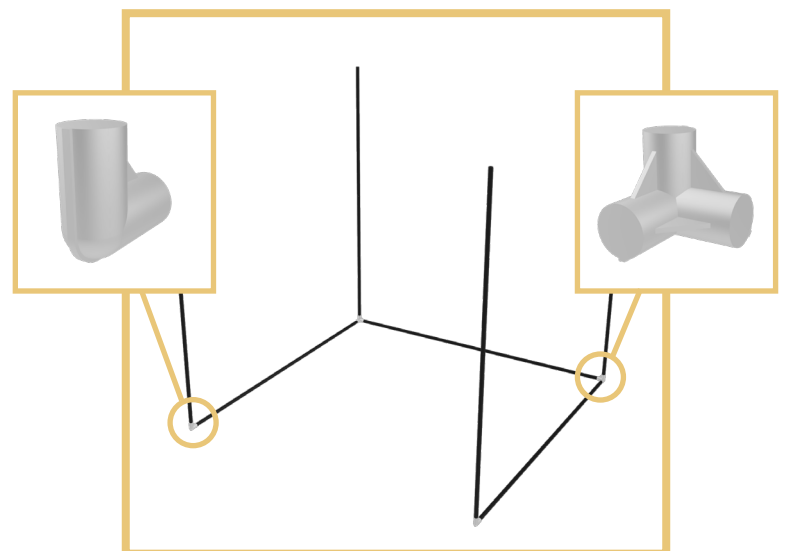
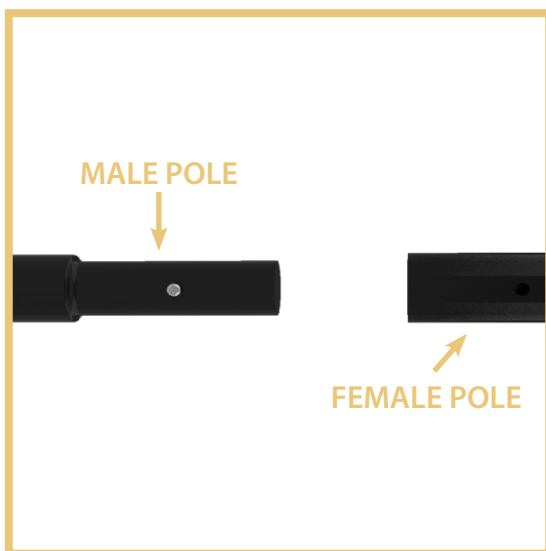
- (2) 2-way fittings
- (6) 3-way fittings
- (1) 10x10x10 Nylon net
- (1) 10x10 Nylon impact panel
- (1) 3x3 Black & white target
- (2) 6ft Target hanging cords
- (1) 3x5 Medium duty mat
- (12) Zip ties
- (30) Hanging cords

1) Purchase Poles

Since this cage does not come with the poles you can either purchase a pole kit from us or a local hardware store like Home Depot or Lowes. You will need 1-3/8" OD poles that are 9' 10.5" long. If your poles from the store are longer than 9' 10.5" you will need to cut them down.

2) Begin Frame Assembly

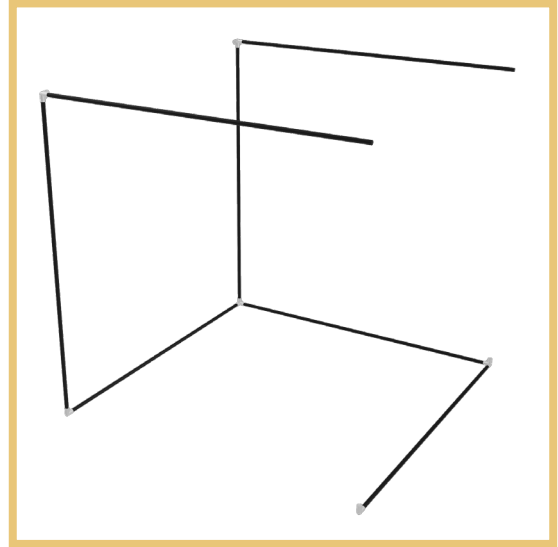
Start from the bottom and work upwards. Press the tubing all the way into the fittings. Hand tighten the fitting set screws. Do **NOT** line up the holes in the poles with the screws (see page 2). Once the bottom corners are secure, insert and tighten the vertical poles.



HD COMMERCIAL GOLF CAGE ASSEMBLY INSTRUCTIONS

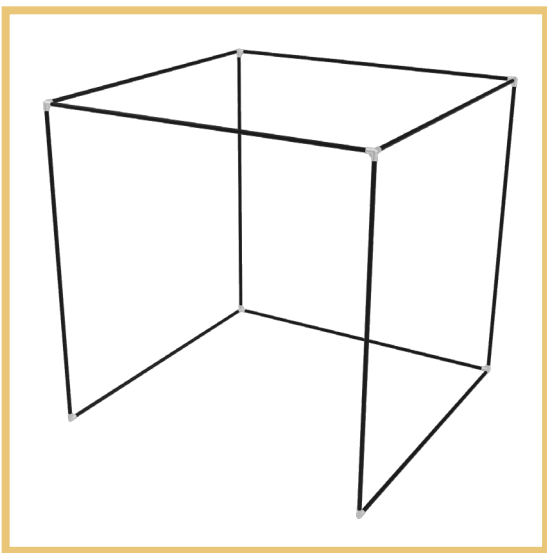
Important Note:

Fittings CANNOT support the weight of unsupported poles. It is important to have at least two people so that both ends can be supported during the installation process. Do not attempt to flip the frame over after assembly.



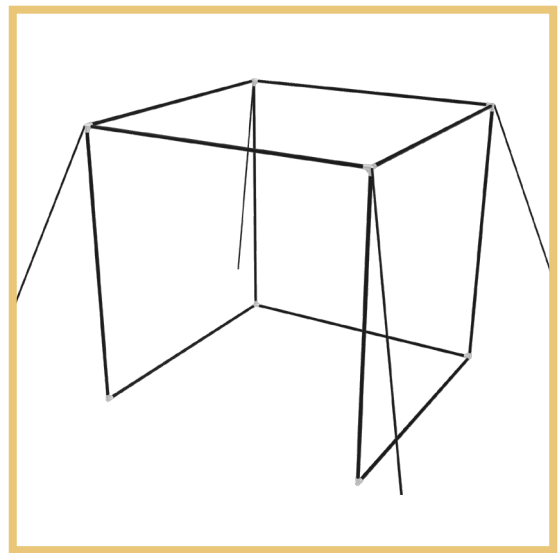
3) Assemble the Top

Secure the top fittings onto the vertical poles and insert the poles. Make sure to keep the ends of the poles supported as you go.



4) Got Wind?

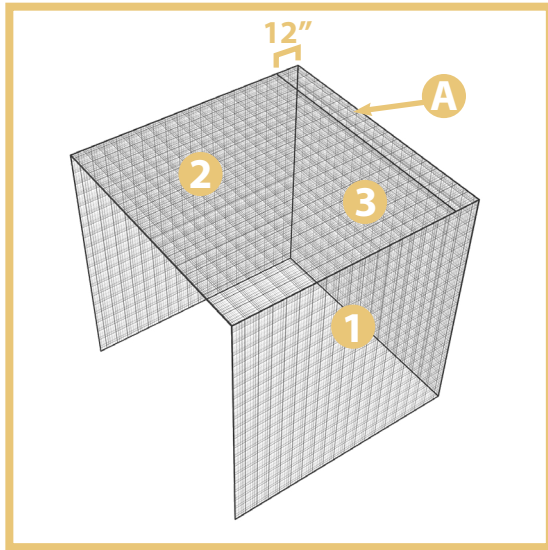
Free standing frames are not designed to withstand high winds or snow. Netting can act like a sail, placing tremendous torque on corner fittings. If your cage will be placed in an area exposed to wind, guy wire the cage securely to the ground or use our stake down kit (sold separately).



HD COMMERCIAL GOLF CAGE ASSEMBLY INSTRUCTIONS

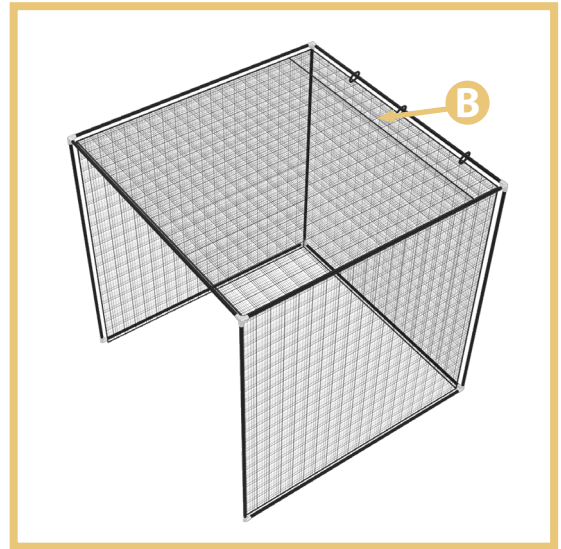
5) Locate the Top of Your Net

After removing the netting from the packaging, locate the top panel of the net. The top panel will be connected to 3 adjacent panels AND will contain an additional rope seam about 12" from the corners **A**. This rope is where you will connect your impact panel with the provided zip ties.



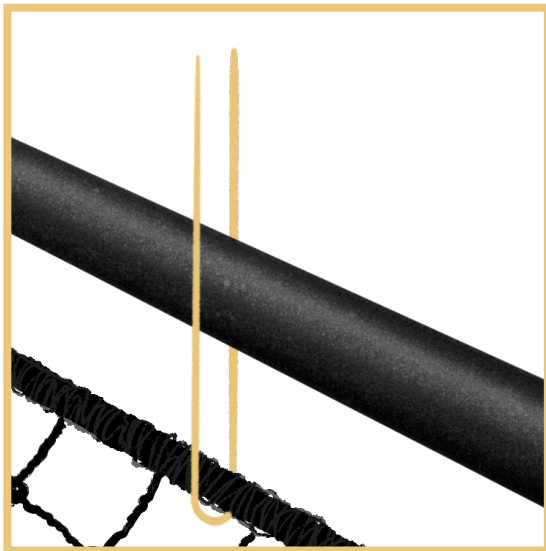
6) Hang the Net Inside the Frame

Start with the back seam **B**. The cage should be hung inside the frame. Let the net hang **loose**. Do not secure it tightly to the frame.



7) Use Cords to Secure the Net

Start by looping the cord around the rope border. Do not loop the cord through the squares in the netting.



8) Use Both Ends of the Cord and Make a Knot Around the Frame

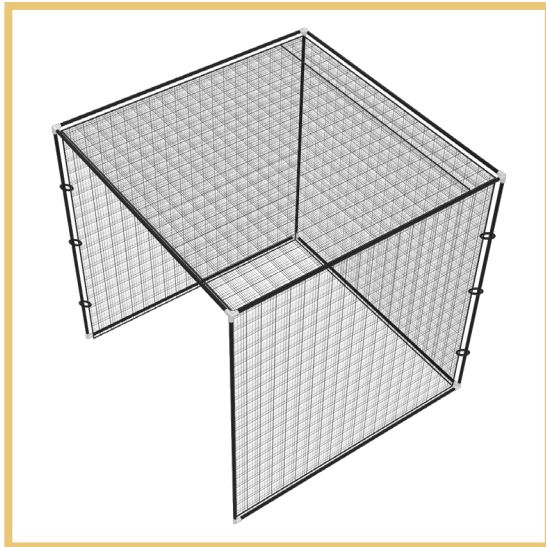
Pull both ends of the cord around the frame and make a loop out of the two ends. Pull both ends back through the loop and snug into a knot. Make sure to leave the net hanging at least 8" off the frame.



HD COMMERCIAL GOLF CAGE ASSEMBLY INSTRUCTIONS

9) Repeat Step 2 for Vertical Poles

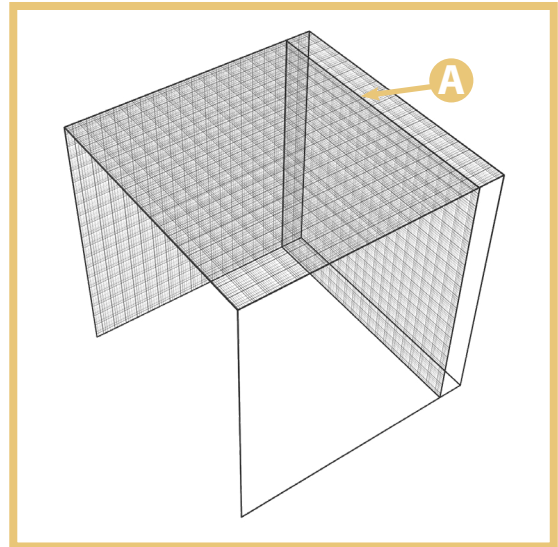
Use the cords to secure the cage to the vertical poles. Do not tighten the net to the frame. Let it hang loose.



10) Hang the Impact Panel

Use the provided small zip ties to hang the impact panel from the rope **A**.

IMPORTANT: Don't hang anything directly from the meshes of the netting. Only attach to the rope border.



IMPORTANT NOTE

Netting products are naturally under some tension. The heavier the net the greater the tension. In order to keep the cage from being too tight, it is important to let the net hang inside the framework. Do not pull the net tight to the frame - let it hang loose. Over the next few weeks the netting will relax, and you can slowly snug the net tighter.