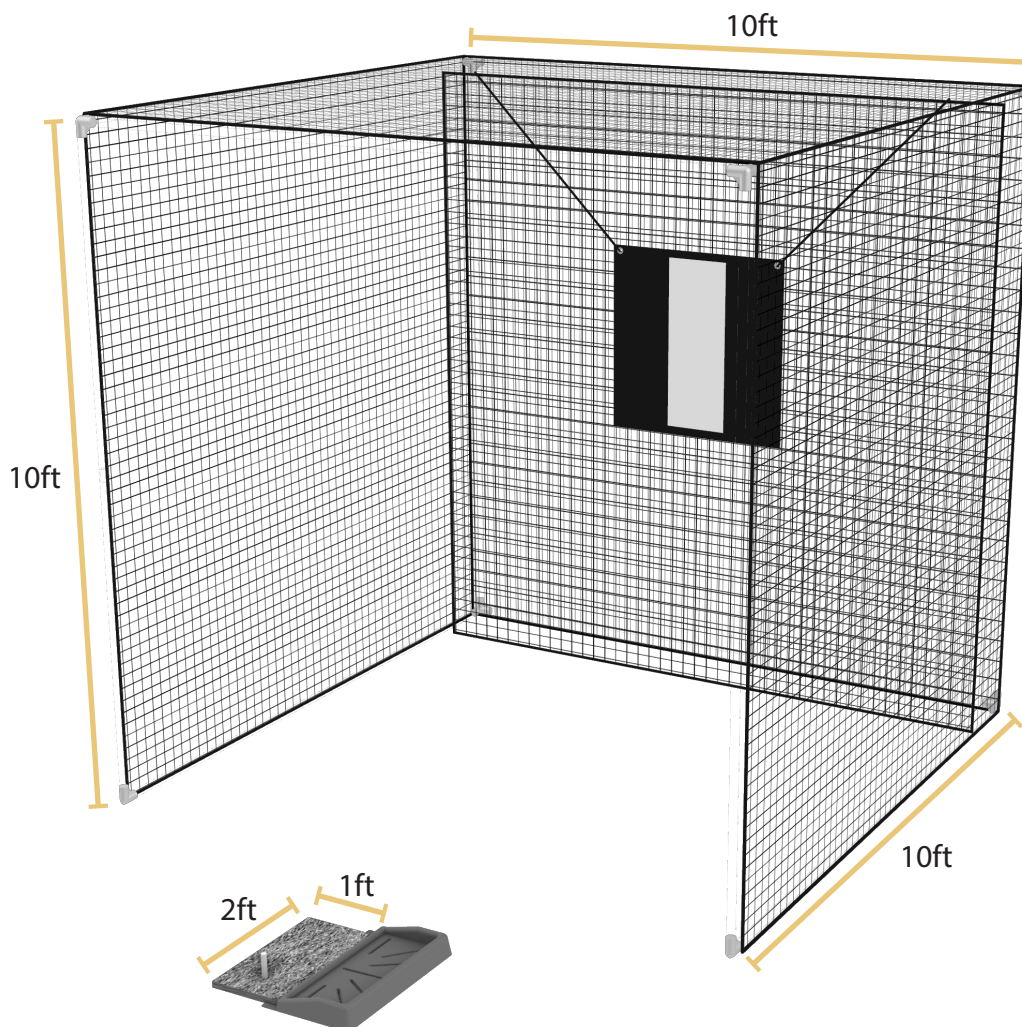


# COMMERCIAL GOLF CAGE ASSEMBLY INSTRUCTIONS



## ABOUT THE CAGE

The Commercial golf cage is one of our golf cage packages. It includes a 10x10x10 net, 10x10 impact panel, corner kit, target, 1x2 mat, and golf ball tray.

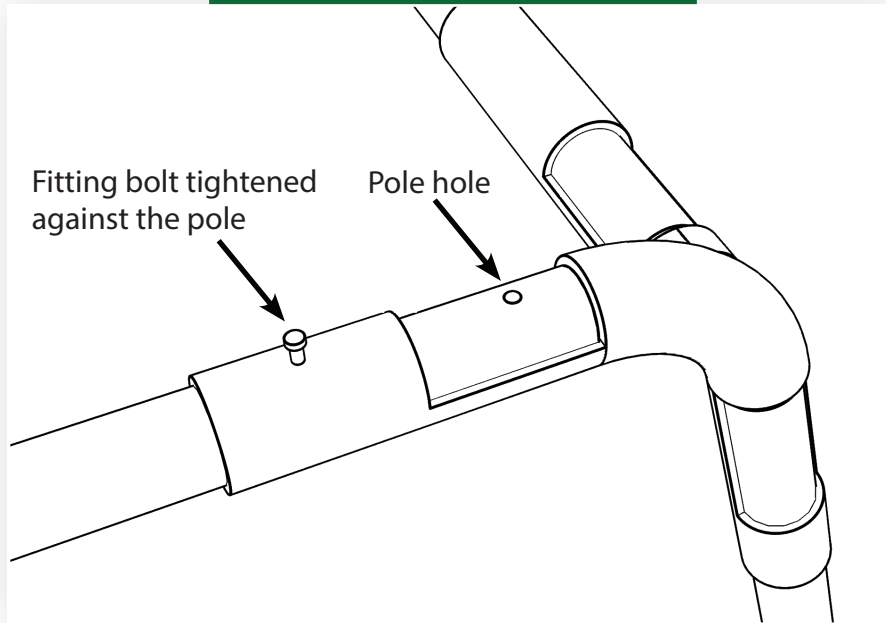
**Note:** Poles are NOT included in this package. You can purchase the 1-3/8" OD poles on our website or at a local store like Home Depot or Lowes.

# COMMERCIAL GOLF CAGE ASSEMBLY INSTRUCTIONS

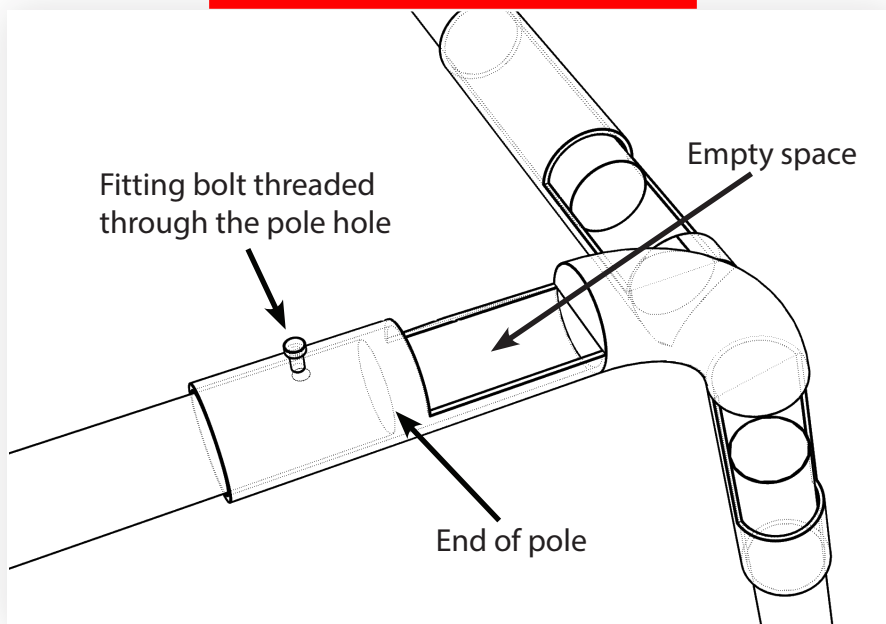
**IMPORTANT:**

Make sure to insert the ends of the poles completely into their respective 3 and 2-way fittings. DO NOT attempt to thread the supplied bolts through the holes in the ends of the poles. This will enlarge the frame unnecessarily, make the frame weaker, and will interfere with the proper fitting of your net (see diagrams below).

**CORRECT**



**INCORRECT**



# COMMERCIAL GOLF CAGE ASSEMBLY INSTRUCTIONS

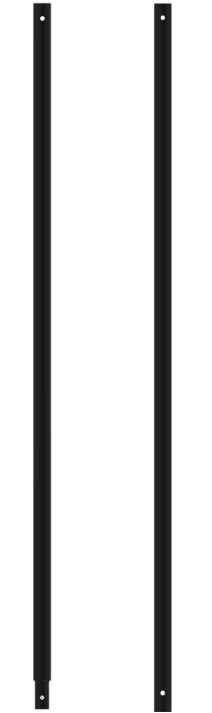
## BEFORE YOU BEGIN

Read these instructions fully before starting the assembly process. Please make sure you have all of your parts and pieces. If not, contact our customer service.

2-way fitting



3-way fitting



Male Female  
(Not included)

## What's Included

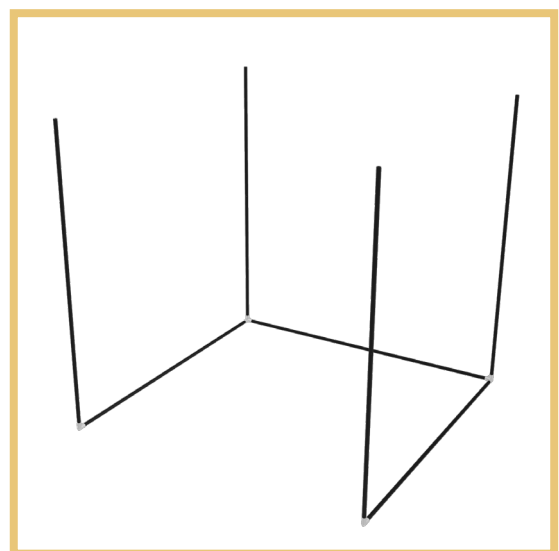
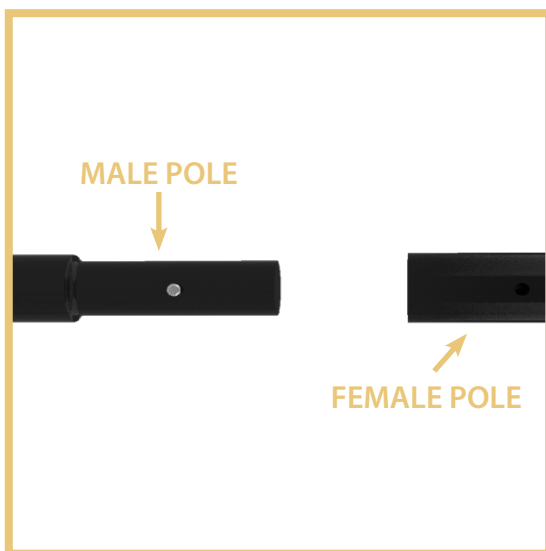
- (2) 2-way fittings
- (6) 3-way fittings
- (1) 9'6" x 9'6" x 9'6" HDPE net
- (1) 10x10 Nylon impact panel
- (1) 3x3 Black & white target
- (2) 6ft Target hanging cords
- (1) 1x2 Medium duty mat
- (12) Zip ties
- (50) Hanging cords

## 1) Purchase Poles

Since this cage does not come with the poles you can either purchase a pole kit from us or a local hardware store like Home Depot or Lowes. You will need 1-3/8" OD poles that are 9' 10.5" long. If your poles from the store are longer than 9' 10.5" you will need to cut them down.

## 2) Begin Frame Assembly

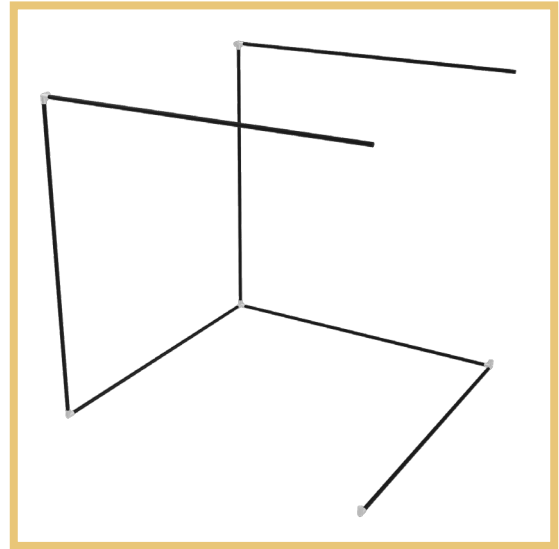
Start from the bottom and work upwards. Press the tubing all the way into the fittings. Hand tighten the fitting set screws. Do **NOT** line up the holes in the poles with the screws (see page 2). Once the bottom corners are secure, insert and tighten the vertical poles.



# COMMERCIAL GOLF CAGE ASSEMBLY INSTRUCTIONS

## Important Note:

Fittings CANNOT support the weight of unsupported poles. It is important to have at least two people so that both ends can be supported during the installation process. Do not attempt to flip the frame over after assembly.



## 3) Assemble the Top

Secure the top fittings onto the vertical poles and insert the poles. Make sure to keep the ends of the poles supported as you go.

## 4) Got Wind?

Free standing frames are not designed to withstand high winds or snow. Netting can act like a sail, placing tremendous torque on corner fittings. If your cage will be placed in an area exposed to wind, guy wire the cage securely to the ground or use our stake down kit (sold separately).

