

PILKE 80 PENDANT

Designed by Tuukka Halonen
2016 GREEN GOOD DESIGN AWARD

DESIGN & INSPIRATION

The inspiration for the Pilke 80 came from traditional Finnish shingle work, but Tuukka Halonen upgraded the design to a modern structure made with today's state of the art technology. Repetition of plywood parts in right angle creates beautiful subtle friction to light. No glue or screws are used. Pilke is a unique, decorative light fixture, giving natural warm light through its wooden structure. The word Pilke is a Finnish word for Twinkle.

LIGHT SOURCE



1 x E26 LED 15W MAX
Suggested Specs: G25 Frosted
> 90 CRI / 2700K / Dimmable

SPECIFICATIONS & TECHNICAL NOTES

UL Listed

Made in Finland. Constructed in Birch Plywood

Mounts directly to a standard Junction box

Cable length max. 10' (field adjustable)

PRODUCT CODES



Birch shade / White
cable & canopy SF.P8001



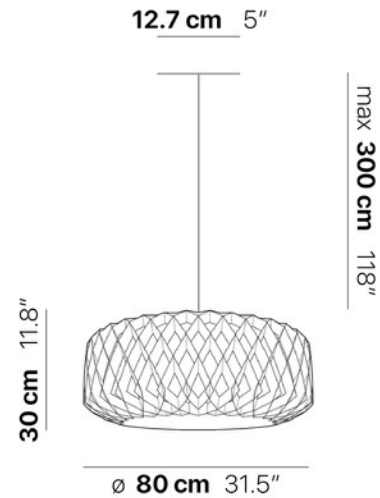
White shade / White
cable & canopy SF.P8005



Black shade / Black
cable & canopy SF.P8003



DIAGRAM



uplight group.

Uplight Group, LLC 1835 NE Miami Gardens Dr. N. Miami Beach, FL 33179
Tel. +1.305.621.9602 sales@uplightgroup.com www.uplightgroup.com

Fixture Type _____ Notes _____
Project Name _____



