

MOIRE DOME PENDANT

Designed by Ed Van Veldhoven

DESIGN & INSPIRATION

The “Moire Dome” suspension is simple yet commanding. Handmade in the Philippines in two layers with great finesse from galvanized iron, a malleable material which allows artisans to weave innovative shapes.



LIGHT SOURCE



1 x E26 LED 15W MAX
Suggested Specs: A19 Frosted
> 90 CRI | 3000K | Dimmable

SPECIFICATIONS & TECHNICAL NOTES

- UL Listed
- Made in The Philippines. Constructed in metal.
- Mounts directly to a standard Junction box
- Cable length max. 10' (field adjustable)
- Weight 8 Lbs.

PRODUCT CODES



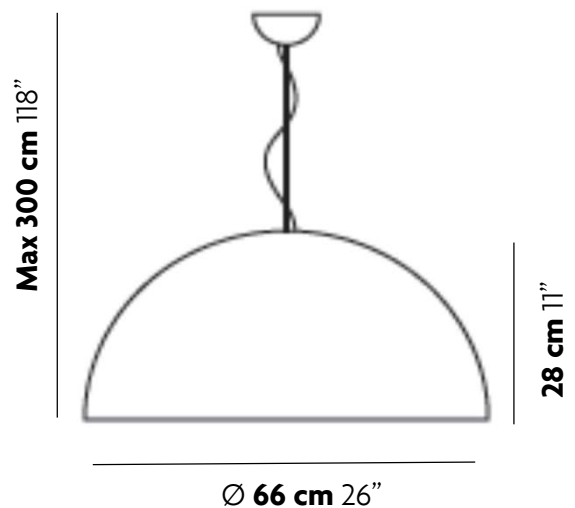
Black

49-MOI/SU/D/BK



Gold

49-MOI/SU/D/GL



uplight group.

Uplight group, LLC. 1835 NE Miami Gardens Dr. N. Miami Beach, FL 33179.
Tel. +1.305.621.9602. sales@uplightgroup.com www.uplightgroup.com

Fixture Type _____
Project Name _____

Notes _____



