

MERIDIANA 110 PENDANT

Designed by Chiaramonte-Marin

DESIGN & INSPIRATION

Meridiana: this is not a sundial.
 The process in fact is inverse: here the light is not the means, but the purpose, a great disk like the sun and hidden behind a big clock hand or what it seems like, a gentle and smooth not blinding light.

LIGHT SOURCE



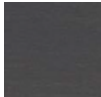


1 X 35W Integral LED (included)
 3000K | 3500 lm
 Dimmable (Triac dimming)

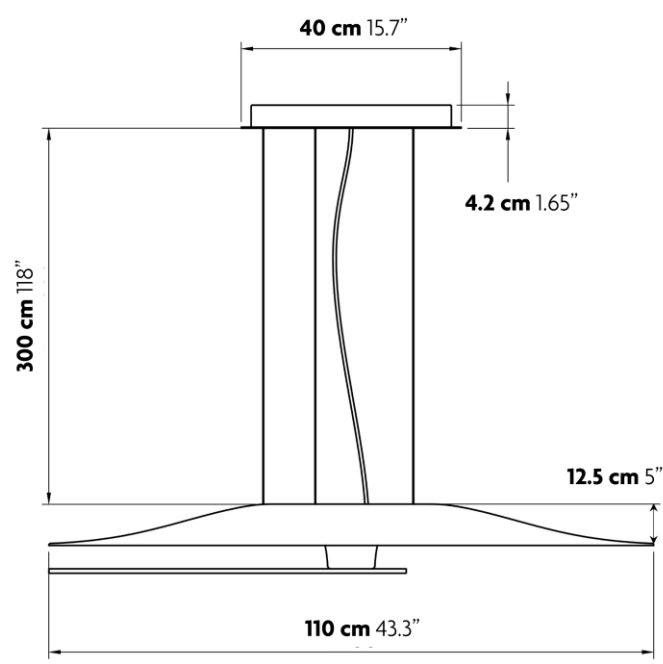


SPECIFICATIONS & TECHNICAL NOTES

- ETL Listed
- Made in Belgium. Constructed in fiber glass and hand painted aluminum.
- Mounts directly to a standard Junction box
- Cable length max. 10' (field adjustable). Longer cable available on request.

PRODUCT CODES

	White & White Marble	HR-MERSON.110.WM
	White & Black Marble	HR-MERSON.110.BM
	White & Ebony	HR-MERSON.110.EB
	White & Walnut	HR-MERSON.110.WA
	White & Wenge	HR-MERSON.110.WE



uplight group.

HIND RABII
 LIGHTING STUDIO

Uplight group, LLC. 1835 NE Miami Gardens Dr. N. Miami Beach, FL 33179.
 Tel. +1.305.621.9602. sales@uplightgroup.com www.uplightgroup.com

Fixture Type _____ Notes _____
 Project Name _____

