

NEST 601 PENDANT

Designed by Studio Tecnico Metal Lux

DESIGN & INSPIRATION

An elegant cavity that collects and transmits vibrant sensations. Harmonic forms sending subtle tones and radiant flashes of light. An ethereal cluster suspended in crystalline spaces leading to soft descents of luminous fluxes.

LIGHT SOURCE



1 x E26 LED 15W MAX
Suggested Specs: E26 Frosted
> 90 CRI | 3000K | Dimmable



SPECIFICATIONS & TECHNICAL NOTES

- UL Listed
- Made in Italy. Constructed in metal and glass.
- Mounts directly to a standard junction box

PRODUCT CODES



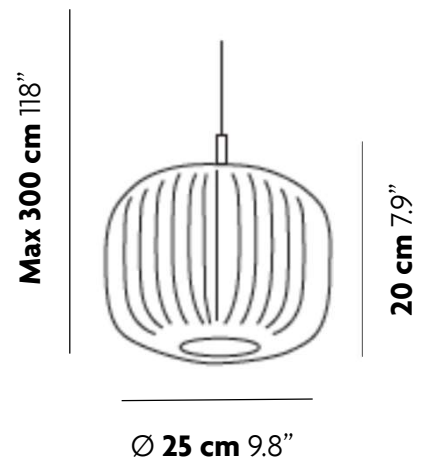
Chrome / Crystal Glass ML-275.601.01



Chrome / Amber Glass ML-275.601.06



Chrome / Fume Glass ML-275.601.18



uplight group.



Uplight group, LLC. 1835 NE Miami Gardens Dr. N. Miami Beach, FL 33179.
Tel. +1.305.621.9602. sales@uplightgroup.com www.uplightgroup.com

Fixture Type _____
Project Name _____

Notes _____

