

GLOBAL 4L CEILING

Designed by Studio Tecnico Metal Lux

DESIGN & INSPIRATION

Global is the newest collection designed by Studio Tecnico Metallux. The collection comes as a result of several large-scale custom installations. The 4-light pendant features 2 medium and 2 small globes with a fixed height of 21.7". It is available in bronze or black metal frame and clear acrylic diffusers.

LIGHT SOURCE



4 x E26 LED 15W MAX

Suggested Specs: A19 Clear

> 90 CRI / 2700K / Dimmable

SPECIFICATIONS & TECHNICAL NOTES

UL Listed

Made in Italy

Constructed in metal with clear acrylic diffusers

Mounts directly to a standard Junction box

Cable length max. 10' (field adjustable)

Custom colors available upon request

PRODUCT CODES



Black frame

Clear diffusers

ML-262.350.03



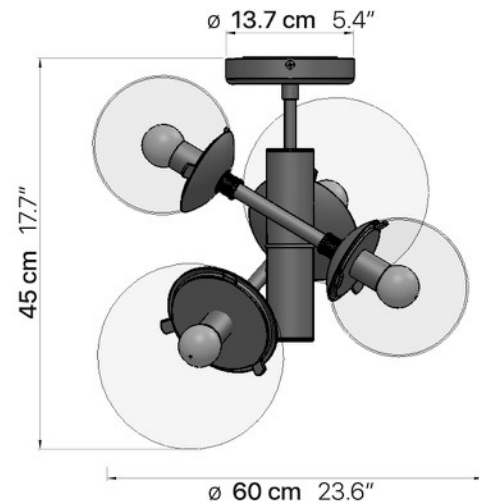
Bronze frame

Clear diffusers

ML-262.350.04



DIAGRAM



uplight group.

Uplight Group, LLC 1835 NE Miami Gardens Dr. N. Miami Beach, FL 33179
Tel. +1.305.621.9602 sales@uplightgroup.com www.uplightgroup.com

Fixture Type _____ Notes _____
Project Name _____

METAL LUX

