

# GLOBAL 16L PENDANT

Designed by Studio Tecnico Metal Lux

## DESIGN & INSPIRATION

Global is the newest collection designed by Studio Tecnico Metallux. The collection comes as a result of several large-scale custom installations. The 16-light pendant is the largest piece of this collection measuring 5 feet in diameter. The arms holding 12 large and 4 medium globes can be adjusted to the desired configuration and height is adjustable in the field up to 10 feet. It is available in bronze or black metal frame and clear acrylic diffusers.

## LIGHT SOURCE



16 x E26 LED 15W MAX  
Suggested Specs: A19 Clear  
> 90 CRI / 2700K / Dimmable

## SPECIFICATIONS & TECHNICAL NOTES

UL Listed

Made in Italy

Constructed in metal with clear acrylic diffusers

Mounts directly to a standard Junction box

Cable length max. 10' (field adjustable)

Custom colors available upon request

## PRODUCT CODES



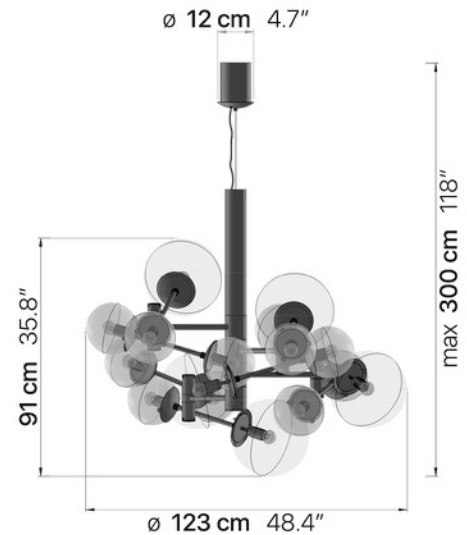
Black frame  
Clear diffusers  
ML-262.800.03



Bronze frame  
Clear diffusers  
ML-262.800.04



## DIAGRAM



uplight group.

Uplight Group, LLC 1835 NE Miami Gardens Dr. N. Miami Beach, FL 33179  
Tel. +1.305.621.9602 sales@uplightgroup.com www.uplightgroup.com

METAL LUX

Fixture Type \_\_\_\_\_ Notes \_\_\_\_\_  
Project Name \_\_\_\_\_

