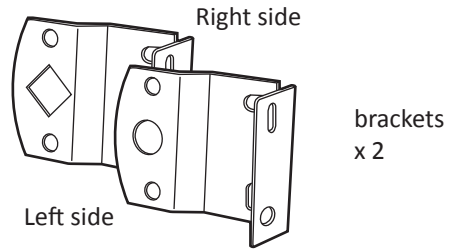
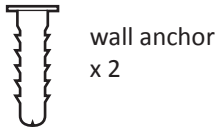
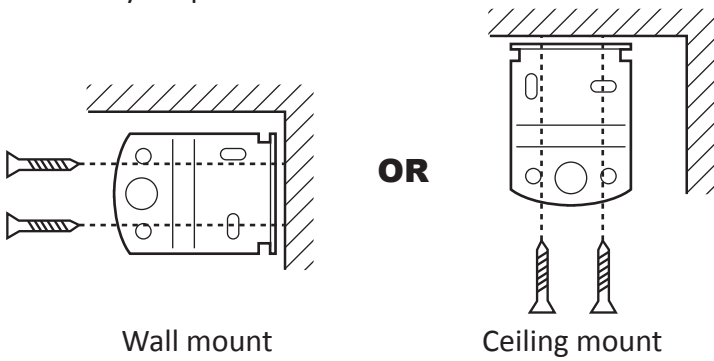


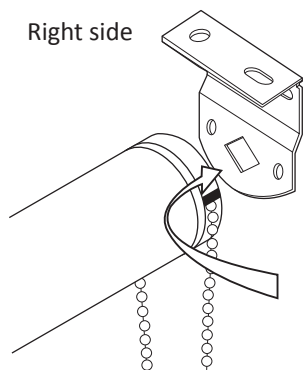
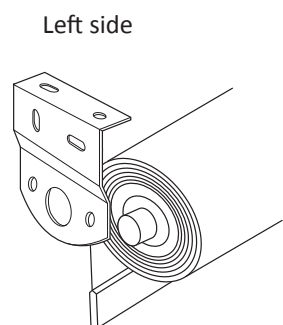
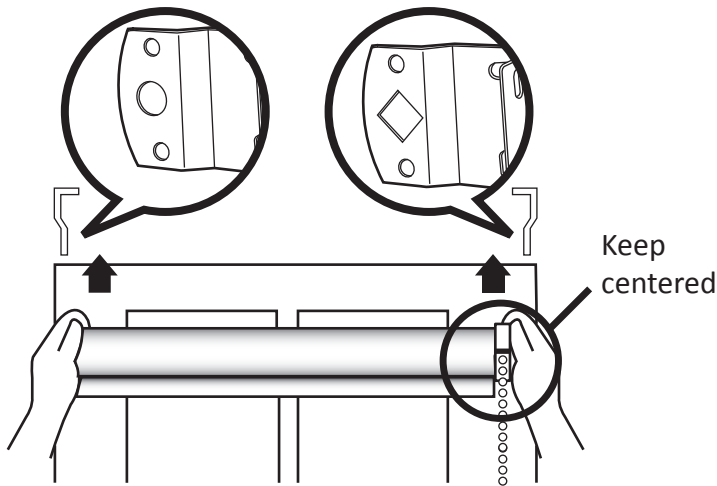
Check package for the complete set of parts



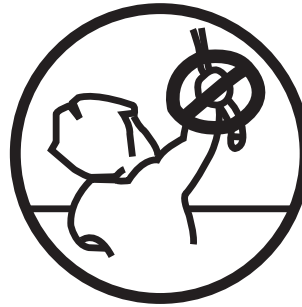
1 Install brackets as wall or ceiling mount according to your preference



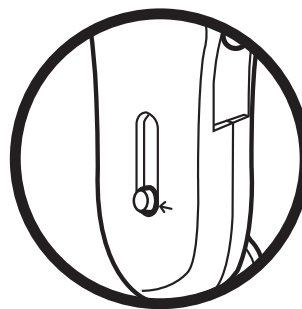
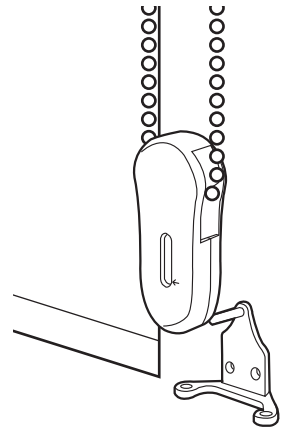
2 Once the brackets are secured and level, keep shade completely rolled up, and install roll pins to there coordinating bracket hole shape.



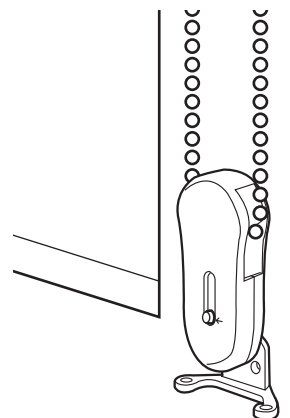
3 Install the tension device about 1" away from the shade and position it out of the reach of children. Extend the chain cord fully downward and mount it on the wall.



(1) Attach bracket to device



(2) Pull down the bracket, let the screw hole align the indicator arrow.



CARE INSTRUCTION : Wipe with a soft , dry cloth